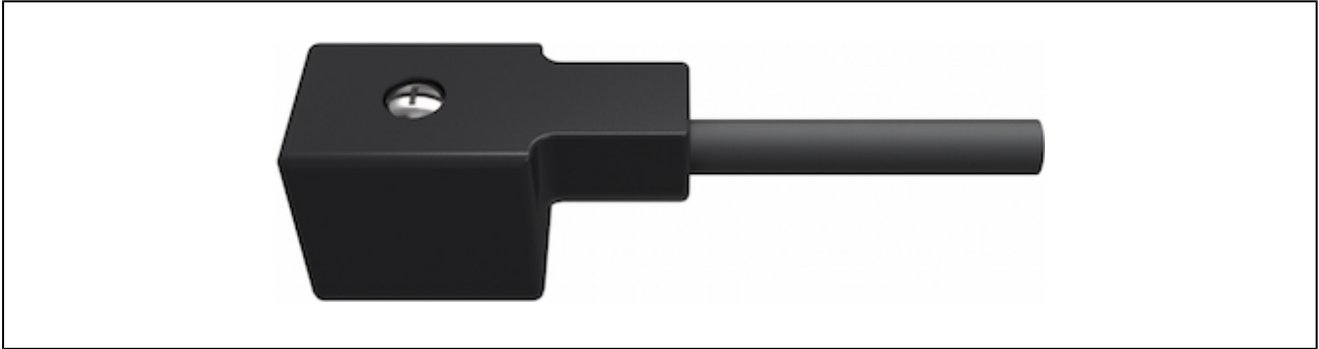
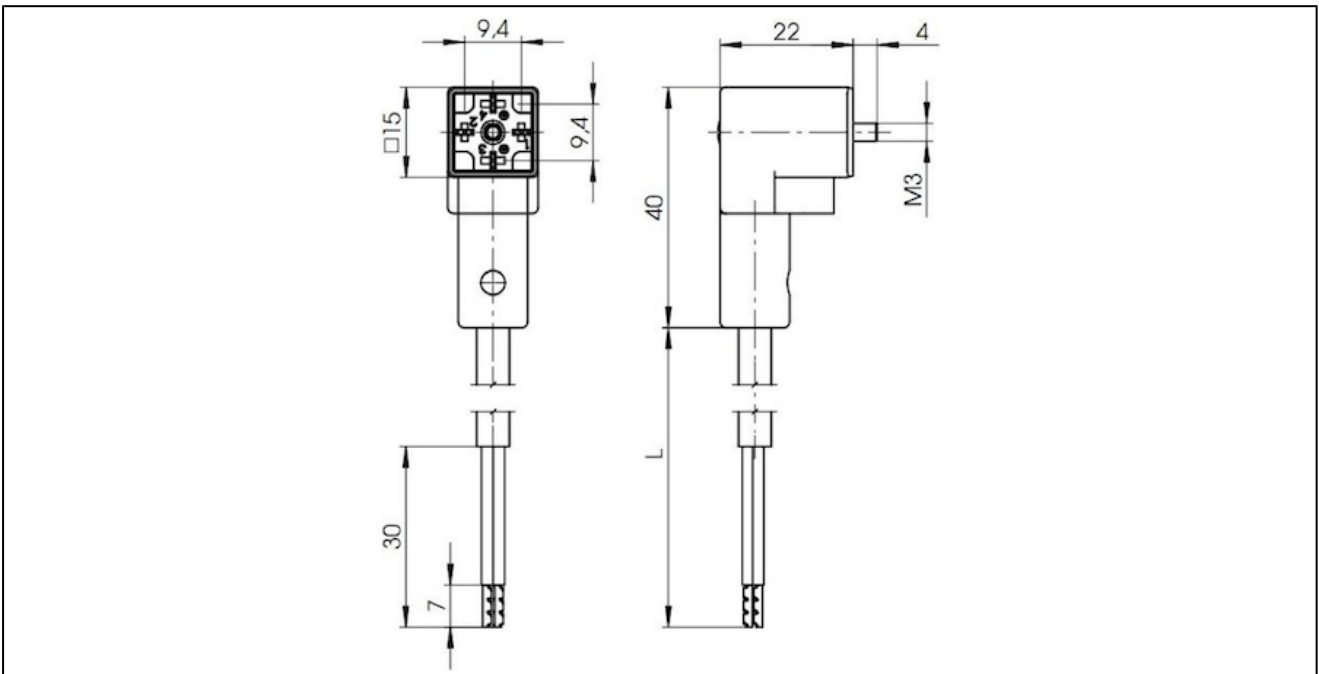


## connector



design	connector micro form C, connector size 16mm
material	contact support PA6, body polyurethane
cable	H03VVF black, PVC, length 3m, outside diameter 5,2mm, minimum bending radius 78mm, water resistant, limited oil resistant
conductor cross-section	0,50mm <sup>2</sup>
number of poles	2+PE
protection class	IP67 according to EN 60529
ambient temperature	-5...70°C
seal	integrated in the housing
scope of supply	incl. mounting screws
approval	RoHS

## dimensions



## circuit options

circuit diagramm		description		
		bipolar LED and VDR		
description	voltage	operating current max.	type	
connector with integrated LED-yellow and VDR	24V AC/DC	1,5A	C001-31-LVCV30-2	

illustrations are for information only and are non-binding  
 all designs, configurations, measurements and materials are subject to change without prior notice