

# Maintenance unit G1/2" and G3/4" Series MU303



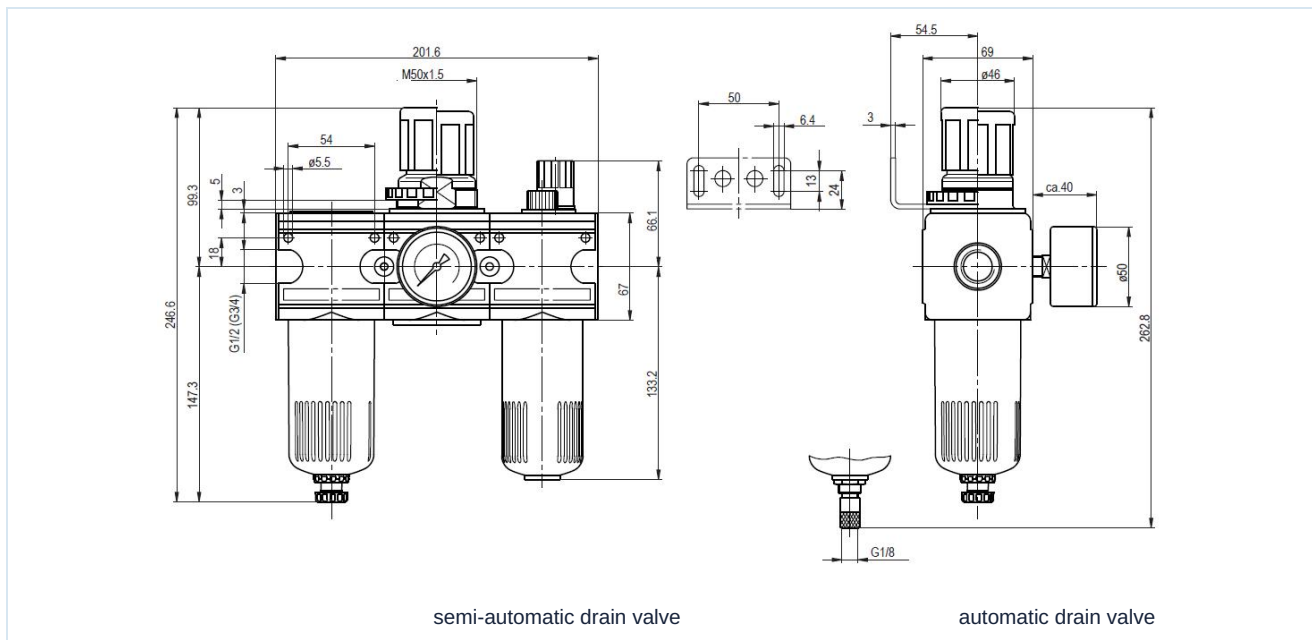
Design type	Diaphragm pressure regulator with secondary venting, Centrifugal force principle filter, Sintered filter element, semi-automatic drain valve, Proportional lubricator
Connection	G1/2" and G3/4" according to ISO228/1
Materials	Housing Zinc die casting, Oil and condensate reservoir Polycarbonate or Metal, Seals NBR, Knob POM
Function	Secondary pressure adjustment via a rotary knob
Locking mechanism	Pressure setting can be locked by pressing in the rotary knob
Filter element	5µm
Mounting type	Installation in piping system, Locknut or Wall mounting using mounting bracket
Mounting position	vertical, Drain screw bottom
Medium	Compressed air
Oil recommendation	HP32A (Temperature range 0...50°C), NR32 (Temperature range -35...85°C)
Medium temperature	with plastic bowl 0...+60°C, with metal bowl 0...+60°C (with appropriately conditioned compressed air - 10...+60°C)
Ambient temperature	with plastic bowl 0...+60°C, with metal bowl -10...+60°C
Inlet pressure	maximum 16bar, with automatic drain valve 1,5...16bar
Control ranges	0,5...10bar (0,1...3bar / 0,2...6bar / 0,5...16bar on request)
Flow direction	is marked by an arrow
Scope of delivery	including pressure gauge

## Order code

		MU303 - 12 - 0,1/3 - P - A			
	1/2"	12			
<b>Connection</b>	3/4"	34			
<b>Pressure range</b>	0,1...3bar		0,1/3		
	0,2...6bar		0,2/6		
	0,5...10bar		0,5/10		
	0,5...16bar		0,5/16		
<b>Reservoir</b>	Plastic reservoir (Leave blank)				
	Plastic reservoir with protective cage		P		
	Metal container		M		
<b>Drain valve</b>	semi-automatic drain valve (Leave blank)				
	automatic drain valve			A	



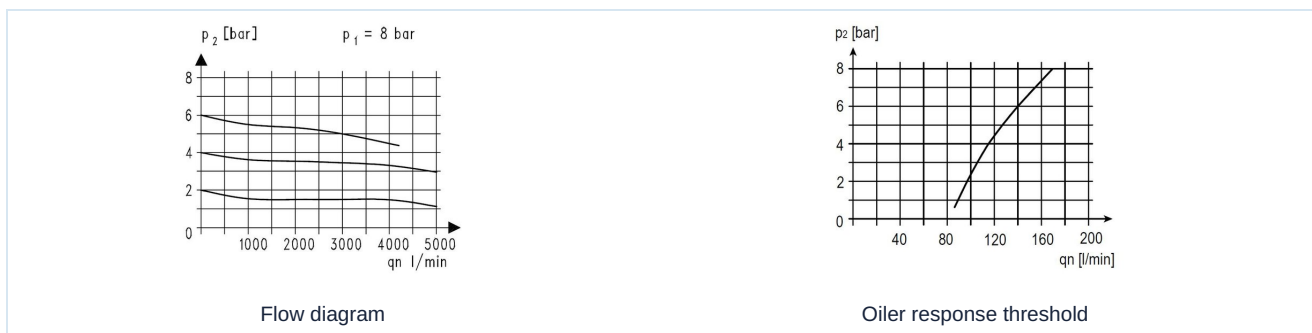
## Dimensional drawing, Characteristics



Connection	Flow rate at 6 bar* [Nl/min]	max. inlet pressure [bar]	Pressure range [bar]	Type
G1/2"	3000	16	0,5...10	MU303-12-0,5/10
G1/2"	3000	16	0,5...10	MU303-12-0,5/10-P
G1/2"	3000	16	0,5...10	MU303-12-0,5/10-M
G3/4"	3000	16	0,5...10	MU303-34-0,5/10
G3/4"	3000	16	0,5...10	MU303-34-0,5/10-P
G3/4"	3000	16	0,5...10	MU303-34-0,5/10-M

\*Flow rate data at an inlet pressure of 8 bar, an outlet pressure of 6 bar and a pressure drop of 1 bar

## Flow diagram, Oiler response threshold



## Accessories

Designation	Type
Locknut M50x1,5	MPN03-12/34
Holding angle bracket with nut M50x1,5	MMP03-12/34
Holding angle bracket with 2 screws	MMB03-12/34

Illustrations non-binding  
Design, dimensional and material changes reserved

Pneumatics / Regulators, filters and lubricators / Maintenance devices - series Modul / Maintenance unit Series Modul MU303 / [MU303-12-0,5/10] Maintenance unit MU303-12-0,5/10

Version 5

138853 / Generated 2026/23 EN

MADE IN EUROPE

+43 512 52076  
austria@stasto.eu  
© STASTO Automation KG

www.stasto.com

Open series online

Page 2 / 2

