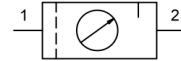


Maintenance unit G1/2" and G3/4" Series MU303



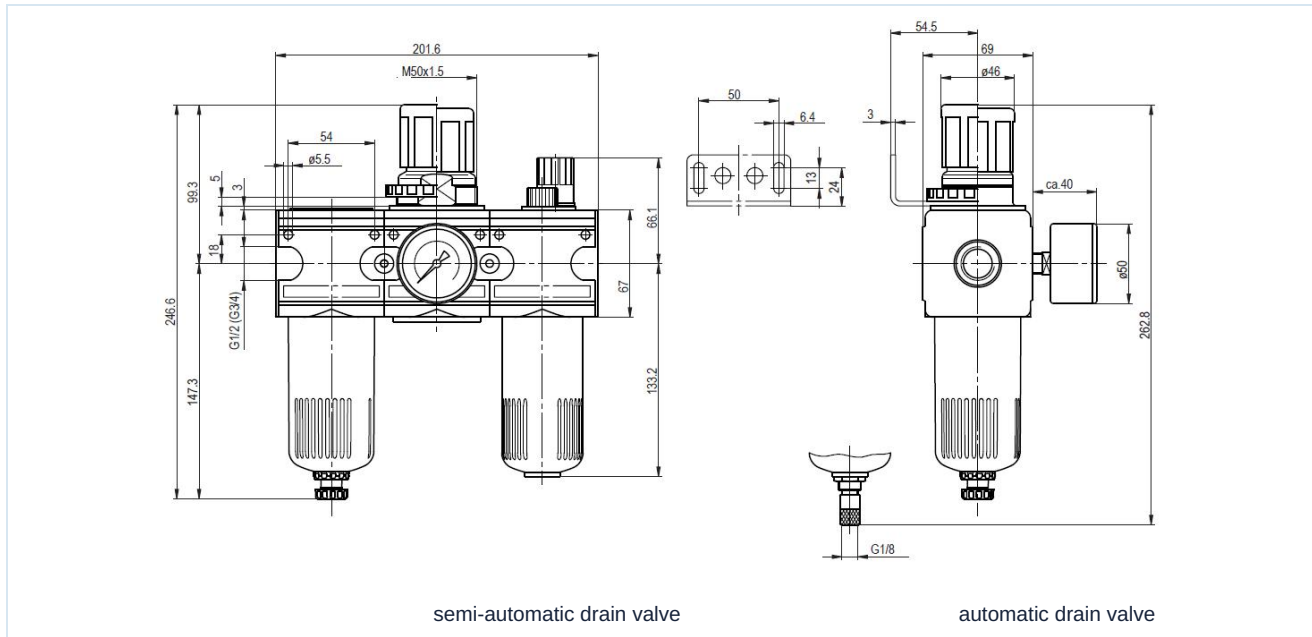
| | |
|---------------------|---|
| Design type | Diaphragm pressure regulator with secondary venting, Centrifugal force principle filter, Sintered filter element, semi-automatic drain valve, Proportional lubricator |
| Connection | G1/2" and G3/4" according to ISO228/1 |
| Materials | Housing Zinc die casting, Oil and condensate reservoir Polycarbonate or Metal, Seals NBR, Knob POM |
| Function | Secondary pressure adjustment via a rotary knob |
| Locking mechanism | Pressure setting can be locked by pressing in the rotary knob |
| Filter element | 5µm |
| Mounting type | Installation in piping system, Locknut or Wall mounting using mounting bracket |
| Mounting position | vertical, Drain screw bottom |
| Medium | Compressed air |
| Oil recommendation | HP32A (Temperature range 0...50°C), NR32 (Temperature range -35...85°C) |
| Medium temperature | with plastic bowl 0...+60°C, with metal bowl 0...+60°C (with appropriately conditioned compressed air - 10...+60°C) |
| Ambient temperature | with plastic bowl 0...+60°C, with metal bowl -10...+60°C |
| Inlet pressure | maximum 16bar, with automatic drain valve 1,5...16bar |
| Control ranges | 0,5...10bar (0,1...3bar / 0,2...6bar / 0,5...16bar on request) |
| Flow direction | is marked by an arrow |
| Scope of delivery | including pressure gauge |

Order code

| | | | | | |
|-----------------------|--|----------------------------|--------|---|--|
| | | MU303 - 12 - 0,1/3 - P - A | | | |
| | 1/2" | 12 | | | |
| Connection | 3/4" | 34 | | | |
| | | | | | |
| Pressure range | 0,1...3bar | | 0,1/3 | | |
| | 0,2...6bar | | 0,2/6 | | |
| | 0,5...10bar | | 0,5/10 | | |
| | 0,5...16bar | | 0,5/16 | | |
| | | | | | |
| Reservoir | Plastic reservoir (Leave blank) | | | | |
| | Plastic reservoir with protective cage | | P | | |
| | Metal container | | M | | |
| | | | | | |
| Drain valve | semi-automatic drain valve (Leave blank) | | | | |
| | automatic drain valve | | | A | |



Dimensional drawing, Characteristics



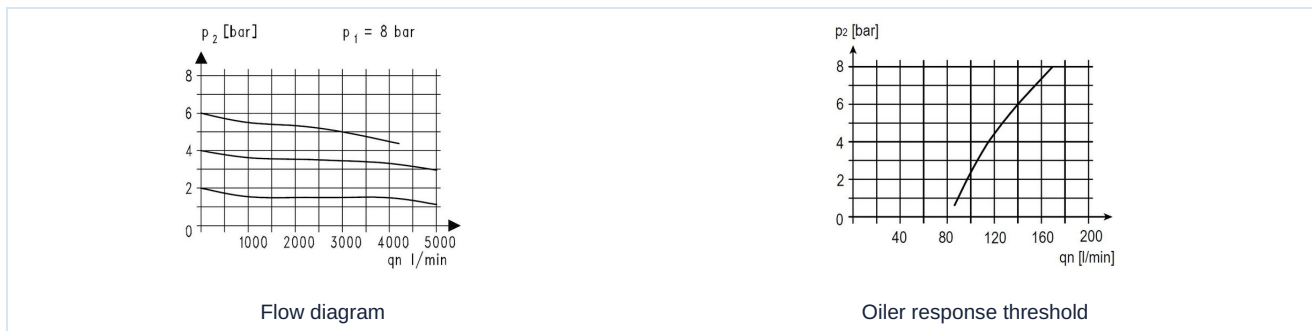
semi-automatic drain valve

automatic drain valve

| Connection | Flow rate at 6 bar* [Nl/min] | max. inlet pressure [bar] | Pressure range [bar] | Type |
|------------|---------------------------------|------------------------------|-------------------------|-------------------|
| G1/2" | 3000 | 16 | 0,5...10 | MU303-12-0,5/10 |
| G1/2" | 3000 | 16 | 0,5...10 | MU303-12-0,5/10-P |
| G1/2" | 3000 | 16 | 0,5...10 | MU303-12-0,5/10-M |
| G3/4" | 3000 | 16 | 0,5...10 | MU303-34-0,5/10 |
| G3/4" | 3000 | 16 | 0,5...10 | MU303-34-0,5/10-P |
| G3/4" | 3000 | 16 | 0,5...10 | MU303-34-0,5/10-M |

*Flow rate data at an inlet pressure of 8 bar, an outlet pressure of 6 bar and a pressure drop of 1 bar

Flow diagram, Oiler response threshold



Flow diagram

Oiler response threshold

Accessories

| Designation | Type |
|--|-------------|
| Locknut M50x1,5 | MPN03-12/34 |
| Holding angle bracket with nut M50x1,5 | MMP03-12/34 |
| Holding angle bracket with 2 screws | MMB03-12/34 |

Illustrations non-binding

Design, dimensional and material changes reserved

Pneumatics / Regulators, filters and lubricators / Maintenance devices - series Modul / Maintenance unit Series Modul MU303-P / [MU303-12-0,5/10-P] Maintenance unit 1/2"-3000

Version 5

138859 / Generated 2026/23 EN

MADE IN EUROPE

+43 512 52076

austria@stasto.eu

© STASTO Automation KG

www.stasto.com

Open series online

Page 2 / 2

