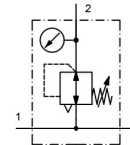


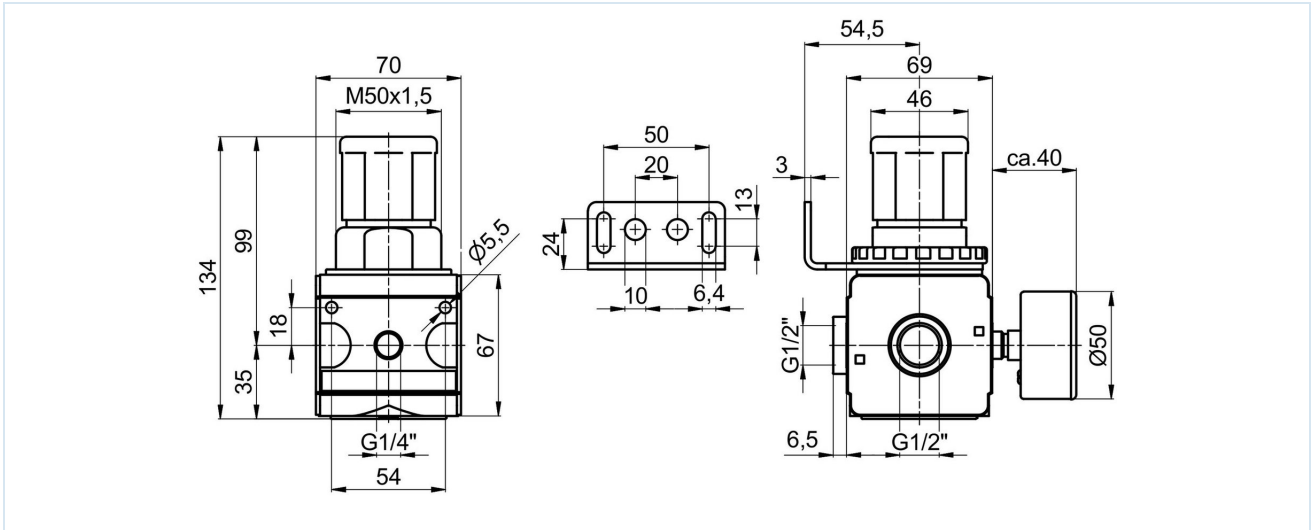
Pressure regulator with continuous pressure supply G1/2" Series Modul RE03-AT



Design type	Pressure regulator with continuous pressure supply and Secondary exhaust venting
Connection	G1/2" according to ISO228/1
Materials	Housing Zinc die casting, Seals NBR, Spring cap POM
Function	Secondary pressure regulation
Locking mechanism	Pressure setting can be locked by pressing in the rotary knob
Mounting position	any
Medium	filtered compressed air
Medium temperature	0...+60°C, (with appropriately conditioned compressed air -10...+60°C)
Ambient temperature	-10...+60°C
Inlet pressure	maximum 16bar
Control ranges	0,1...3/0,2...6/0,5...10 and 0,5...16bar
Flow direction	is marked by an arrow
Scope of delivery	including pressure gauge



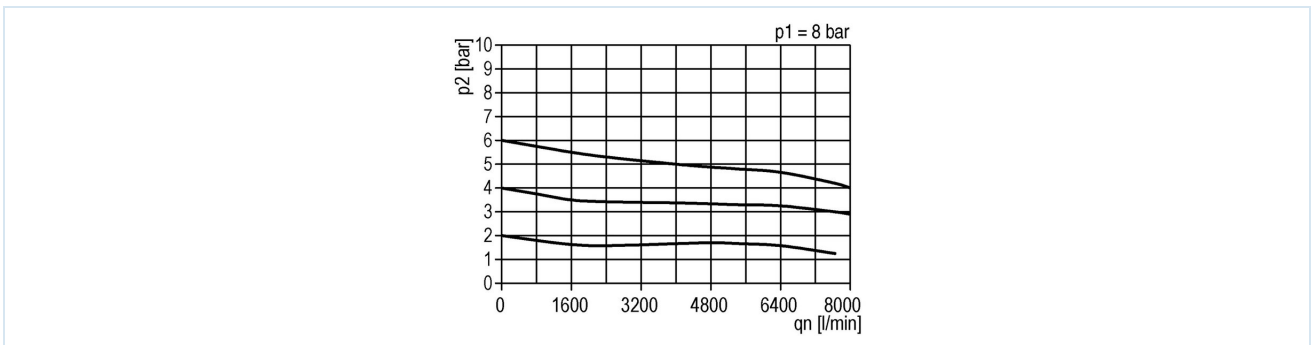
Dimensional drawing



Connection	Flow rate at 6 bar* [Nl/min]	Pressure range [bar]	Weight [approx. kg]	Type
G1/2"	5500	0,1...3	0,91	RE03-12-0,1/3-MA-AT
G1/2"	5500	0,2...6	0,91	RE03-12-0,2/6-MA-AT
G1/2"	5500	0,5...10	0,91	RE03-12-0,5/10-MA-AT
G1/2"	5500	0,5...16	0,91	RE03-12-0,5/16-MA-AT

*Flow rate data at an inlet pressure of 8 bar, an outlet pressure of 6 bar and a pressure drop of 1 bar

Flow diagram for control range 0,5...10 bar



Accessories

Designation	Type
Locknut M50x1,5	MPN03-12/34
Holding angle bracket with nut M50x1,5	MMP03-12/34
Holding angle bracket with 2 screws	MMB03-12/34

Illustrations non-binding

Design, dimensional and material changes reserved

Pneumatics / Regulators, filters and lubricators / Maintenance devices - series Modul / Pressure regulator with continuous pressure supply Series Modul RE03-AT / [RE03-12-0,5/10-MA-AT]
Pressure regulator with continuous pressure supply RE03-12-0,5/10-MA-AT

Version 5

139308 / Generated 2026/23 EN

MADE IN EUROPE

+43 512 52076

austria@stasto.eu

© STASTO Automation KG

www.stasto.com

Open series online

Page 2 / 2

