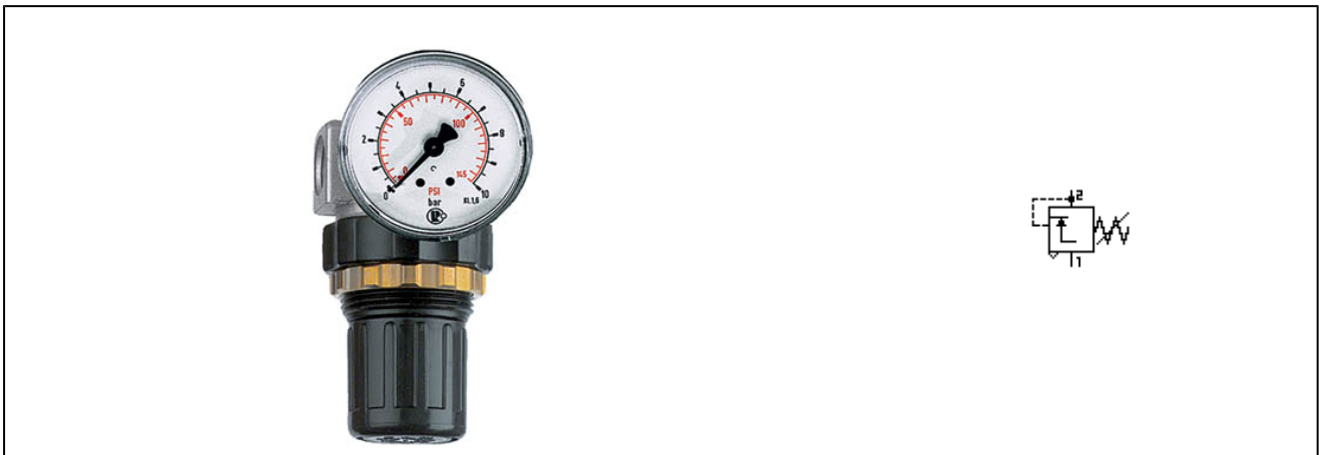
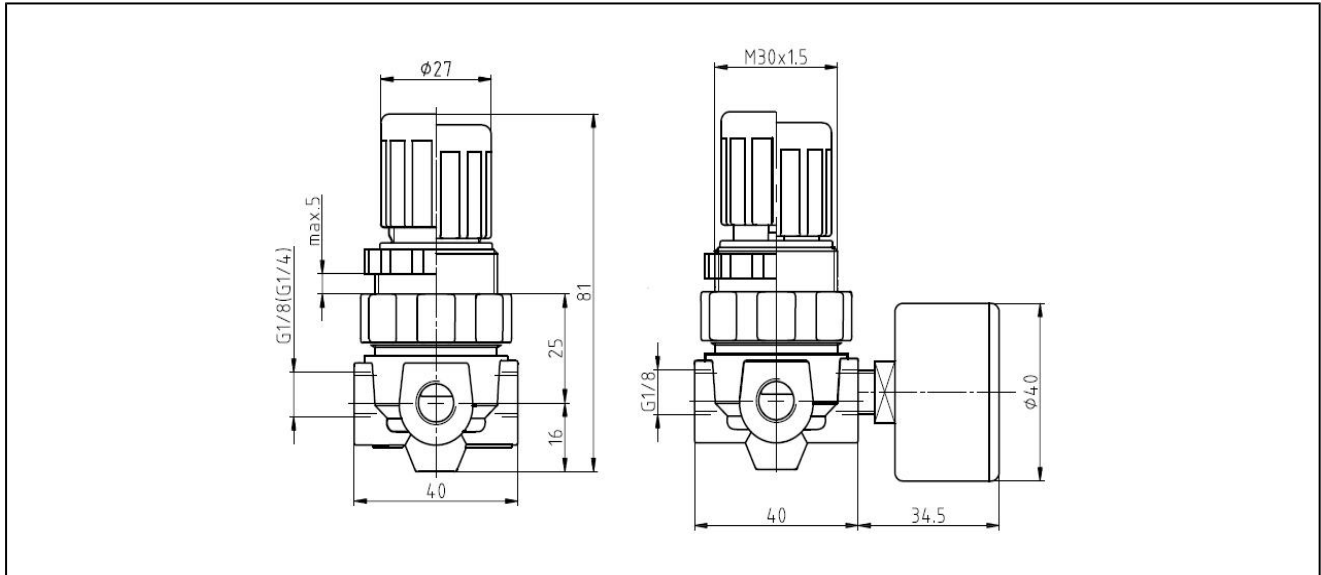


pressure regulator G1/8" and G1/4" series Gold



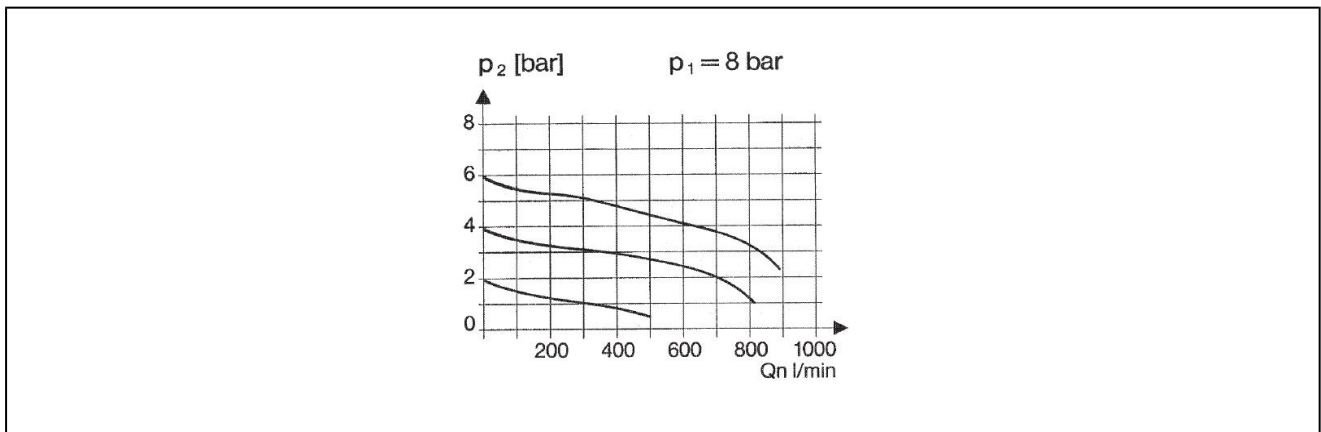
design	diaphragm pressure regulator with relieving
connection	G1/8" and G1/4" according to ISO228/1
materials	body zinc die casting, seals NBR, spring-cover POM
function	control of outlet pressure
mounting position	any
medium	filtered compressed air
medium temperature	0°C up to +60°C, (with appropriately conditioned compressed air -20 to 60°C)
ambient temperature	-20 up to +60°C
inlet pressure	maximum 25 bar
adjustment ranges	0,5 to 3/0,5 to 6/ 0,5 to 10 bar and 0,5 to 16 bar
flow direction	is marked by an arrow
detent	pressure adjustment can be arrested by pushing the turning knob
scope of supply	including manometer

dimension



connection	flow at 6bar [Nl/min]	pressure range [bar]	type
G1/8"	325	0,5 to 3	482.10A
G1/8"	325	0,5 to 6	482.10B
G1/8"	325	0,5 to 10	482.10C
G1/8"	325	0,5 to 16	482.10D
G1/4"	325	0,5 to 3	482.20A
G1/4"	325	0,5 to 6	482.20B
G1/4"	325	0,5 to 10	482.20C
G1/4"	325	0,5 to 16	482.20D

flow diagram for adjustment range 0,5 to 10 bar



accessories

designation	type
neck nut M30x1,5	R11-55
mounting bracket with neck nut M30x1,5	MV30

illustrations are for information only and are non-binding
all designs, configurations, measurements and materials are subject to change without prior notice