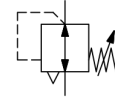


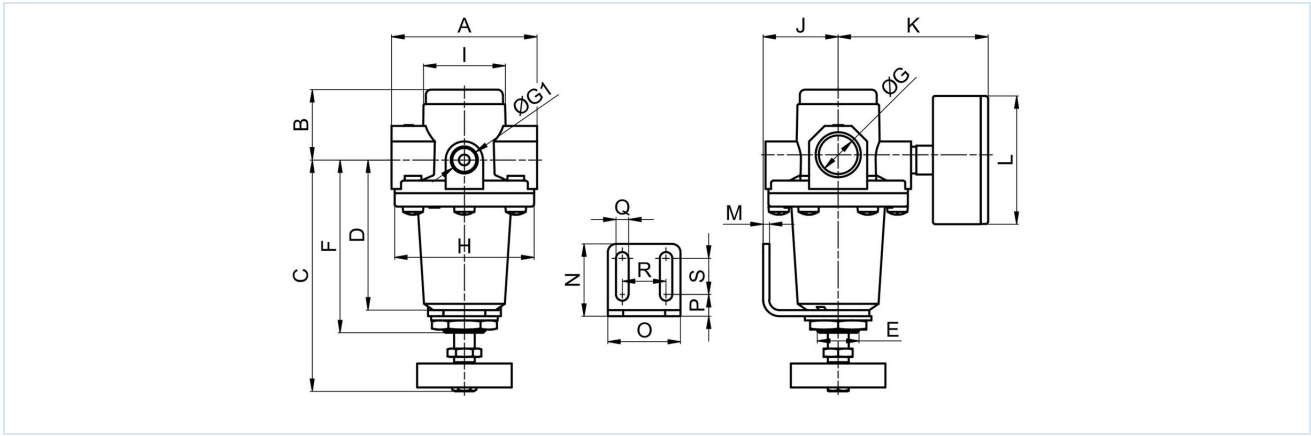
Pressure regulator G1/4" ... G1/2" Series Gold RE04



| | |
|---------------------|--|
| Design type | Diaphragm pressure regulator with secondary venting |
| Connection | G1/4" ... G1/2" according to ISO228/1 |
| Materials | Housing and spring bonnet Zinc die casting, Seals NBR |
| Function | Secondary pressure regulation |
| Mounting position | any |
| Medium | filtered compressed air |
| Medium temperature | 0...+60°C, (with appropriately conditioned compressed air -10...+60°C) |
| Ambient temperature | -10...+80°C |
| Inlet pressure | max. 16bar or rather 25bar according to table |
| Control ranges | 0,1...3/ 0,2...6/ 0,5...10 and 0,5...16bar |
| Flow direction | is marked by an arrow |
| Scope of delivery | including pressure gauge |



Dimensional drawing

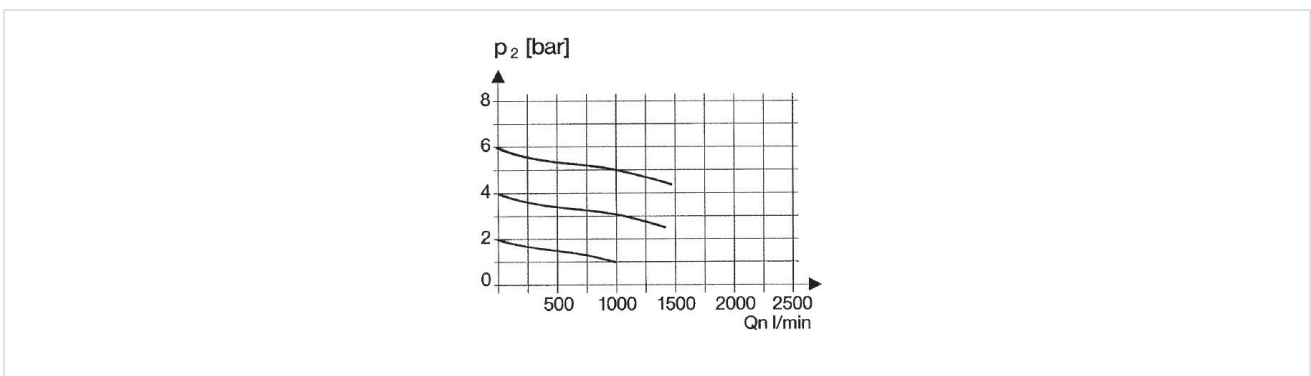


| Connection G | A | B | C | D | E | F | G1 | H | I | J | K | L | M | N | O | P | Q | R | S |
|--------------|----|----|-----|----|---------|----|------|----|----|----|----|----|---|----|----|------|---|----|------|
| G1/4" | 64 | 32 | 98 | 62 | M20x1,5 | 72 | 1/4" | 50 | 34 | 36 | 67 | 50 | 3 | 35 | 35 | 10,5 | 6 | 21 | 17,5 |
| G3/8" | 54 | 32 | 98 | 62 | M20x1,5 | 72 | 1/4" | 50 | 34 | 36 | 67 | 50 | 3 | 35 | 35 | 10,5 | 6 | 21 | 17,5 |
| G1/2" | 70 | 34 | 112 | 73 | M20x1,5 | 84 | 1/4" | 67 | 40 | 35 | 72 | 50 | 3 | 35 | 35 | 10,5 | 6 | 21 | 17,5 |

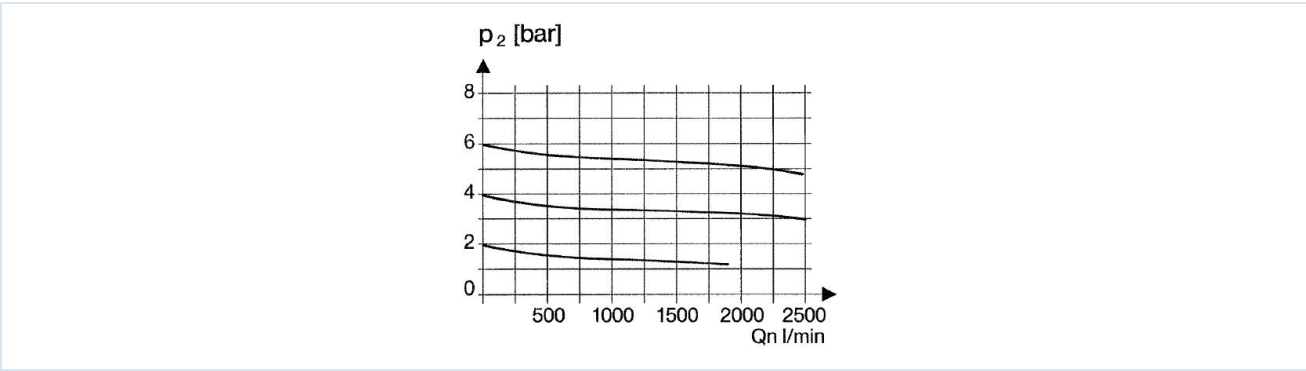
| Connection | Flow rate at 6 bar* [Nl/min] | Inlet pressure [bar] | Pressure range [bar] | Weight [approx. kg] | Type |
|------------|------------------------------|----------------------|----------------------|---------------------|--------------------|
| G1/4" | 1000 | 16 | 0,1...3 | 0,6 | RE04-14H-0,1/3-MA |
| G1/4" | 1000 | 16 | 0,2...6 | 0,6 | RE04-14H-0,2/6-MA |
| G1/4" | 1000 | 16 | 0,5...10 | 0,6 | RE04-14H-0,5/10-MA |
| G1/4" | 1000 | 16 | 0,5...16 | 0,6 | RE04-14H-0,5/16-MA |
| G3/8" | 1000 | 16 | 0,1...3 | 0,5 | RE04-38-0,1/3-MA |
| G3/8" | 1000 | 16 | 0,2...6 | 0,5 | RE04-38-0,2/6-MA |
| G3/8" | 1000 | 16 | 0,5...10 | 0,5 | RE04-38-0,5/10-MA |
| G3/8" | 1000 | 16 | 0,5...16 | 0,5 | RE04-38-0,5/16-MA |
| G1/2" | 2200 | 25 | 0,1...3 | 0,9 | RE04-12-0,1/3-MA |
| G1/2" | 2200 | 25 | 0,2...6 | 0,9 | RE04-12-0,2/6-MA |
| G1/2" | 2200 | 25 | 0,5...10 | 0,9 | RE04-12-0,5/10-MA |
| G1/2" | 2200 | 25 | 0,5...16 | 0,9 | RE04-12-0,5/16-MA |

*Flow rate data at an inlet pressure of 8 bar, an outlet pressure of 6 bar and a pressure drop of 1 bar

Flow diagram G1/4" ...G3/8" at inlet pressure 8bar



Flow diagram G1/2" at inlet pressure 8bar



Accessories

| Designation | Type |
|---|--------------|
| Holding angle bracket with neck nut M20x1,5 | MMP04-14H/12 |

Illustrations non-binding
Design, dimensional and material changes reserved

[Pneumatics](#) / [Regulators, filters and lubricators](#) / [Maintenance devices - series Gold](#) / [Pressure regulator Series Gold RE04](#) / [\[RE04-14H-0,5/10-MA\] Pressure regulator RE04-14H-0,5/10-MA](#)

