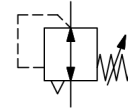
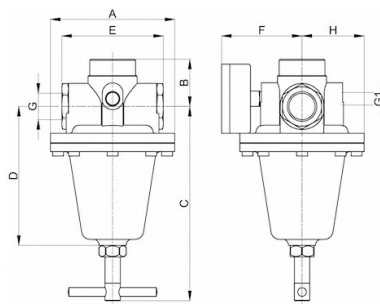


Constant pressure regulator Series Gold RE07



Design type	Diaphragm pressure regulator with secondary venting, increased accuracy
Connection	G3/4"...G1 1/2" according to ISO228/1
Materials	Housing and spring bonnet Brass, Seals NBR
Function	Secondary pressure regulation
Mounting position	any
Medium	filtered compressed air
Medium temperature	0...+60°C, (with appropriately conditioned compressed air -20...+60°C)
Ambient temperature	-20...+90°C
Inlet pressure	maximum 40bar
Control ranges	0,5...6/ 0,5...10/0,5...16 bar and 0,5...25bar
Flow direction	is marked by an arrow
Scope of delivery	including pressure gauge

Dimensional drawing



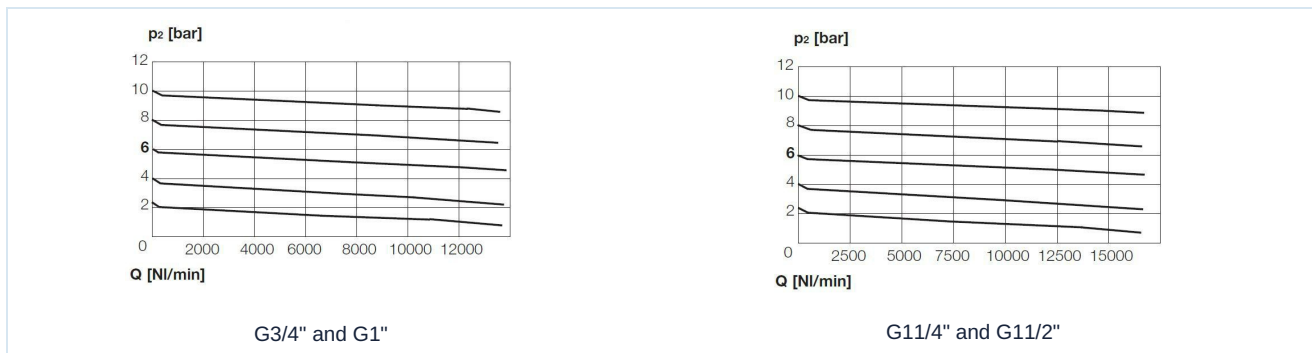
Connection G	A	B	C	D	E	F	G1	H
G3/4"	116	41	175	127	95	80	G1/4"	58
G1"	116	41	175	127	83	80	G1/4"	58
G1 1/4"	116	50	190	138	128	80	G1/4"	58
G1 1/2"	116	50	190	138	114	80	G1/4"	58



Connection	Flow rate at 6 bar [Nl/min]	Pressure range [bar]	Weight [approx. kg]	Type
G3/4"	7835	0,5...6	3,7	RE07-34H-0,5/6-MA
G3/4"	7835	0,5...10	3,7	RE07-34H-0,5/10-MA
G3/4"	7835	0,5...16	3,7	RE07-34H-0,5/16-MA
G3/4"	7835	0,5...25	3,7	RE07-34H-0,5/25-MA
G1"	7835	0,5...6	3,5	RE07-10H-0,5/6-MA
G1"	7835	0,5...10	3,5	RE07-10H-0,5/10-MA
G1"	7835	0,5...16	3,5	RE07-10H-0,5/16-MA
G1"	7835	0,5...25	3,5	RE07-10H-0,5/25-MA
G11/4"	12160	0,5...6	5,3	RE07-114-0,5/6-MA
G11/4"	12160	0,5...10	5,3	RE07-114-0,5/10-MA
G11/4"	12160	0,5...16	5,3	RE07-114-0,5/16-MA
G11/4"	12160	0,5...25	5,3	RE07-114-0,5/25-MA
G11/2"	12160	0,5...6	5,1	RE07-112-0,5/6-MA
G11/2"	12160	0,5...10	5,1	RE07-112-0,5/10-MA
G11/2"	12160	0,5...16	5,1	RE07-112-0,5/16-MA
G11/2"	12160	0,5...25	5,1	RE07-112-0,5/25-MA

Flow rate data at an inlet pressure of 8 bar, an outlet pressure of 6 bar and a pressure drop of 1 bar

Flow diagrams



Accessories

Designation	Weight [approx. kg]	Type
Holding angle bracket with 2 screws	0,19	MMB07-34H/112

Illustrations non-binding

Design, dimensional and material changes reserved

Pneumatics / Regulators, filters and lubricators / Other materials - P07 / Constant pressure regulator Series Gold RE07

Version 5

139065 / Generated 2026/23 EN

MADE IN EUROPE

+43 512 52076

austria@stasto.eu

© STASTO Automation KG

www.stasto.com

Open series online

Page 2 / 2

