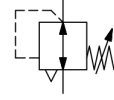


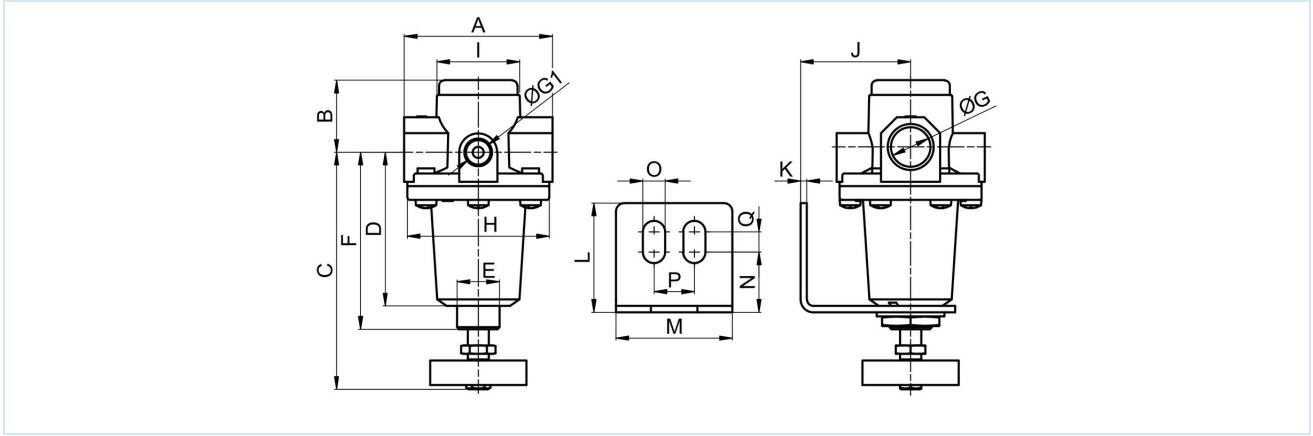
Pressure regulator G1/2" Series Gold RE08



Design type	Diaphragm pressure regulator with secondary venting, Panel mounting
Connection	G1/2" according to ISO228/1
Materials	Housing and spring bonnet Zinc die casting, Seals NBR
Function	Secondary pressure regulation
Mounting position	any
Medium	filtered compressed air
Medium temperature	0...+60°C, (with appropriately conditioned compressed air -10...+60°C)
Ambient temperature	-10...+80°C
Inlet pressure	max. 25bar
Control ranges	0,1...3/ 0,2...6/ 0,5...10 and 0,5...16bar
Flow direction	is marked by an arrow
Scope of delivery	including neck nut



Dimensional drawing

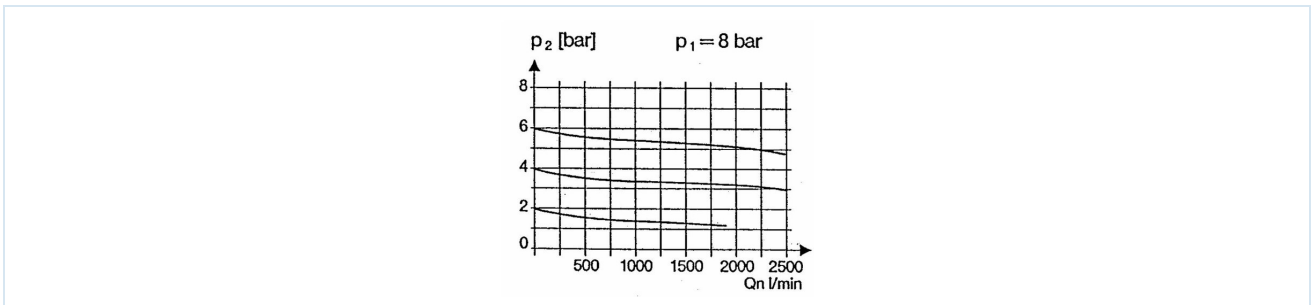


Connection G	A	B	C	D	E	F	G1	H	I	J	K	L	M	N	O	P	Q
G1/2"	70	34	112	72,5	M20x1,5	83,5	1/4"	67	39,5	52	3	51,5	55	28,5	10,5	19	9,5

Connection	Flow rate at 6 bar* [Nl/min]	Inlet pressure [bar]	Pressure range [bar]	Weight [approx. kg]	Type
G1/2"	2200	25	0,1...3	0,8	RE08-12-0,1/3
G1/2"	2200	25	0,2...6	0,8	RE08-12-0,2/6
G1/2"	2200	25	0,5...10	0,8	RE08-12-0,5/10
G1/2"	2200	25	0,5...16	0,8	RE08-12-0,5/16

*Flow rate data at an inlet pressure of 8 bar, an outlet pressure of 6 bar and a pressure drop of 1 bar

Flow diagram for control range 0,5...10 bar



Accessories

Designation	Type
Holding angle bracket with neck nut M20x1,5	MMP04-14H/12

Illustrations non-binding
Design, dimensional and material changes reserved

Pneumatics / Regulators, filters and lubricators / Maintenance devices - series Gold / Pressure regulator Series Gold RE08 / [RE08-12-0,5/10] Pressure regulator RE08-12-0,5/10

Version 5

139077 / Generated 2026/23 EN

MADE IN EUROPE

+43 512 52076

austria@stasto.eu

© STASTO Automation KG

www.stasto.com

Open series online

Page 2 / 2

