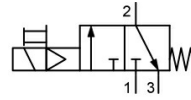


Electric shut-off valve (3/2-way) G1/4" up to G1" Series MSL18



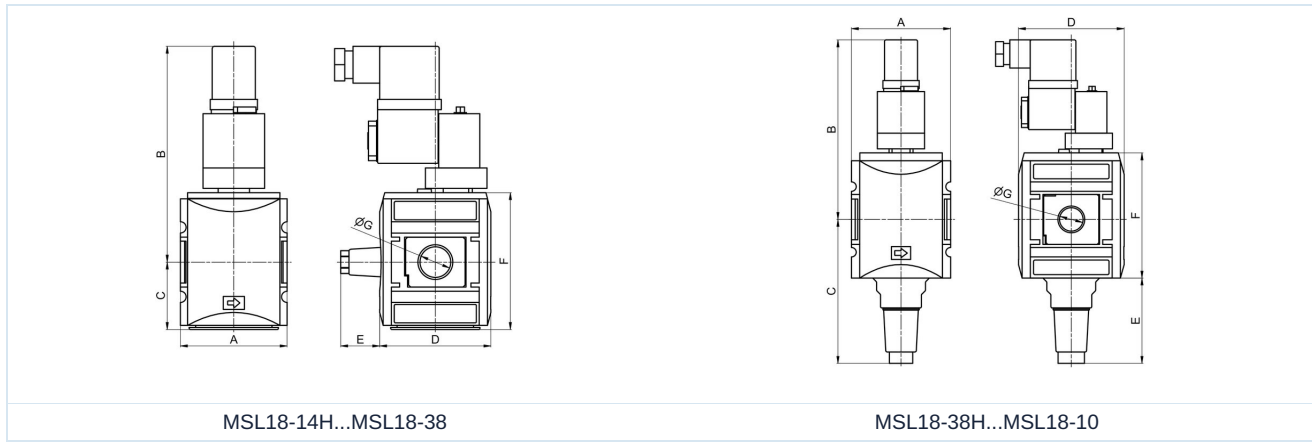
Design type	Directional control valve electrical, 3/2-way, with manual emergency override and exhaust venting
Connection	G1/4"...G1" according to ISO228/1
Materials	Housing Glass-fiber reinforced polyamide, Pressure ports Zinc die casting, Internal parts made of brass, Seals NBR
Function	for shutting off the supply pressure and venting the system
Mounting type	Installation in piping system or Wall mounting using mounting bracket
Mounting position	any
Medium	filtered compressed air
Medium temperature	0...+50°C
Ambient temperature	0...+50°C
Inlet pressure	2...10bar
Voltages	24V/50-60Hz, 230V/50-60Hz, 115V/50-60Hz and 24VDC
Relative duty cycle	100% duty cycle (continuous operation)
Degree of protection	IP65 according to EN 60529 with correctly mounted device connector (protection against dust ingress and water jets)
Scope of delivery	incl. coil, appliance socket to DIN 43650 industrial form B and silencer

Order code

MSL18 - 14 H - 04	
1/4"	14
3/8"	38
1/2"	12
3/4"	34
Connection 1"	10
Flow rate Standard (Leave blank)	
high flow rate	H
Rated voltage 24V/50-60Hz	04
230V/50-60Hz	01
115V/50-60Hz	12
24VDC	03



Dimensional drawing



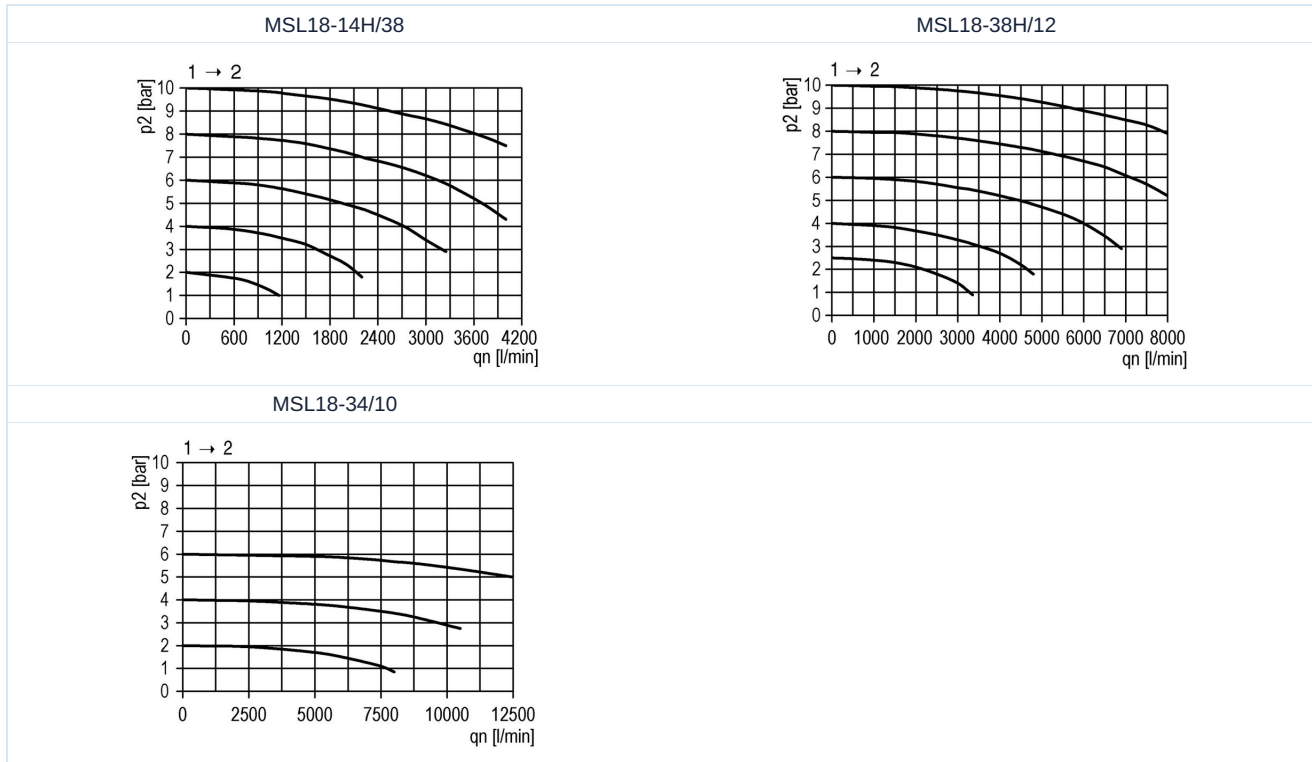
Connection G	Flow rate at 6 bar* [Nl/min]	A	B	C	D	E	F	Weight [approx. kg]
G1/4"	2000	52	105,5	33	54	19	67	0,2
G3/8"	2000	52	105,5	33	48	19	67	0,3
G3/8"	4300	63	114,5	92	67	54,5	80	0,6
G1/2"	4300	63	114,5	92	67	54,5	80	0,6
G3/4"	12500	85	131,5	102,5	93	48,5	112	0,8
G1"	12500	85	131,5	102,5	93	48,5	112	0,7

Connection G	Flow rate at 6 bar* [Nl/min]	max. inlet pressure [bar]	Rated voltage	Type
G1/4"	2000	10	24V/50-60Hz	MSL18-14H-04
G1/4"	2000	10	230V/50-60Hz	MSL18-14H-01
G1/4"	2000	10	115V/50-60Hz	MSL18-14H-12
G1/4"	2000	10	24VDC	MSL18-14H-03
G3/8"	2000	10	24V/50-60Hz	MSL18-38-04
G3/8"	2000	10	230V/50-60Hz	MSL18-38-01
G3/8"	2000	10	115V/50-60Hz	MSL18-38-12
G3/8"	2000	10	24VDC	MSL18-38-03
G3/8"	4300	10	24V/50-60Hz	MSL18-38H-04
G3/8"	4300	10	230V/50-60Hz	MSL18-38H-01
G3/8"	4300	10	115V/50-60Hz	MSL18-38H-12
G3/8"	4300	10	24VDC	MSL18-38H-03
G1/2"	4300	10	24V/50-60Hz	MSL18-12-04
G1/2"	4300	10	230V/50-60Hz	MSL18-12-01
G1/2"	4300	10	115V/50-60Hz	MSL18-12-12
G1/2"	4300	10	24VDC	MSL18-12-03
G3/4"	12500	10	24V/50-60Hz	MSL18-34-04
G3/4"	12500	10	230V/50-60Hz	MSL18-34-01
G3/4"	12500	10	115V/50-60Hz	MSL18-34-12
G3/4"	12500	10	24VDC	MSL18-34-03
G1"	12500	10	24V/50-60Hz	MSL18-10-04
G1"	12500	10	230V/50-60Hz	MSL18-10-01
G1"	12500	10	115V/50-60Hz	MSL18-10-12
G1"	12500	10	24VDC	MSL18-10-03

*Flow rates at an outlet pressure of 6bar and a pressure drop of 1bar



Flow diagrams



Accessories

Designation	Type
Connection set for 2 devices for G1/4" and G3/8" (Type MSL18-38)	MCS18-14H/38
Connection set for 2 devices for G3/8" (Type MSL18-38H) and G1/2"	MCS18-38H/12
Connection set for 2 devices for G3/4" and G1"	MCS18-34/10
Mounting bracket kit for G1/4" and G3/8" (Type MSL18-38)	MMB18-14H/38
Mounting bracket kit for G3/8" (Type MSL18-38H) and G1/2"	MMB18-38H/12
Mounting bracket kit for G3/4" and G1"	MMB18-34/10

Solenoid coil MS

		Voltage	Power consumption at 20°C	Type
		24VDC	2,5W	MS02400
		24V/50-60Hz	3,5VA	MS02450
		115V/50-60Hz	5VA	MS11550
		230V/50-60Hz	5VA	MS23050

Illustrations non-binding

Design, dimensional and material changes reserved

