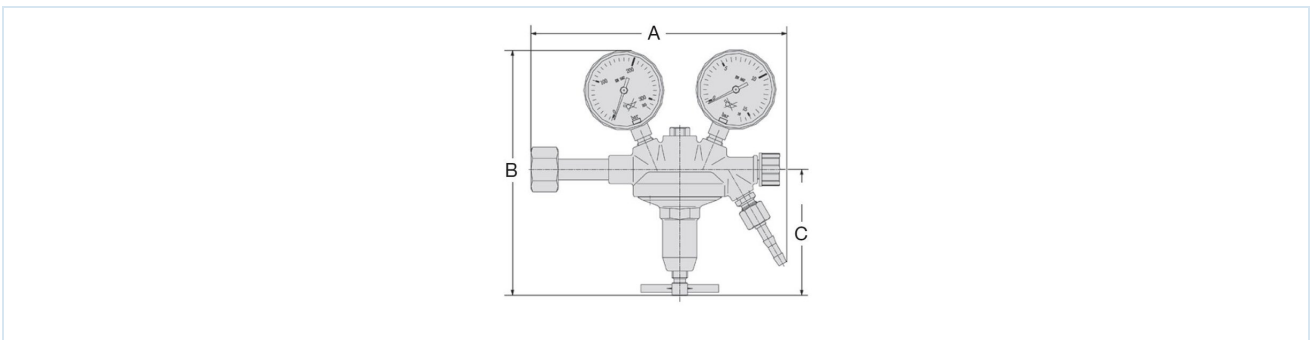


## Cylinder pressure regulator for gas cylinders Series 487 or rather 487-H



Design type	Cylinder pressure regulator according to EN 2503, suitable for flammable and non-flammable gases, Pressure gauge for cylinder contents and working pressure
Connection	Bracket, Nut W21,8x1/14, Nut W24,32x1/14, Nut 3/4" or rather Male thread 5/8" according to DIN 477
Materials	Housing Pressed brass
Medium	Acetylene, Hydrogen, Methane, Natural gas, Oxygen, Compressed air, Nitrogen, Carbon dioxide, Argon or rather Helium
Medium temperature	max. +60°C
Ambient temperature	max. +60°C
Inlet pressure	max. 200bar or rather 18bar for acetylene
Operating pressure	see table
Scope of delivery	Pressure regulator, Contents pressure gauge, Back pressure gauge, Shut-off valve and Safety valve

### Dimensional drawing



A	B	C
178	182	95



Cylinder connection	Thread Outlet	Type of gas	max. inlet pressure [bar]	Operating pressure [bar]	Type
Nut G3/4"	G1/4"	Oxygen	200	0...10	487.35
Nut G3/4"	G1/4"	Oxygen	200	0...20	487.36
Bracket	G3/8" left	Acetylene	18	0...1,5	487.37
Male thread G5/8"	G1/4"	Compressed air	200	0...10	487.38
Male thread G5/8"	G1/4"	Compressed air	200	0...20	487.38H
Nut W24,32x1/14	G1/4"	Nitrogen	200	0...10	487.39
Nut W24,32x1/14	G1/4"	Nitrogen	200	0...20	487.39H
Nut W21,8x1/14	G1/4"	Carbon dioxide	200	0...10	487.41
Nut W21,8x1/14	G1/4"	Carbon dioxide	200	0...20	487.41H
Nut W21,8x1/14	G1/4"	Argon/Helium	200	0...10	487.42
Nut W21,8x1/14 left	G3/8" left	Hydrogen, Methane, Natural gas	200	0...10	487.43

Illustrations non-binding

Design, dimensional and material changes reserved

[Pneumatics](#) / [Regulators, filters and lubricators](#) / [Special pressure regulators](#) / [Pressure regulator for gas-bottles Series PR124](#)

