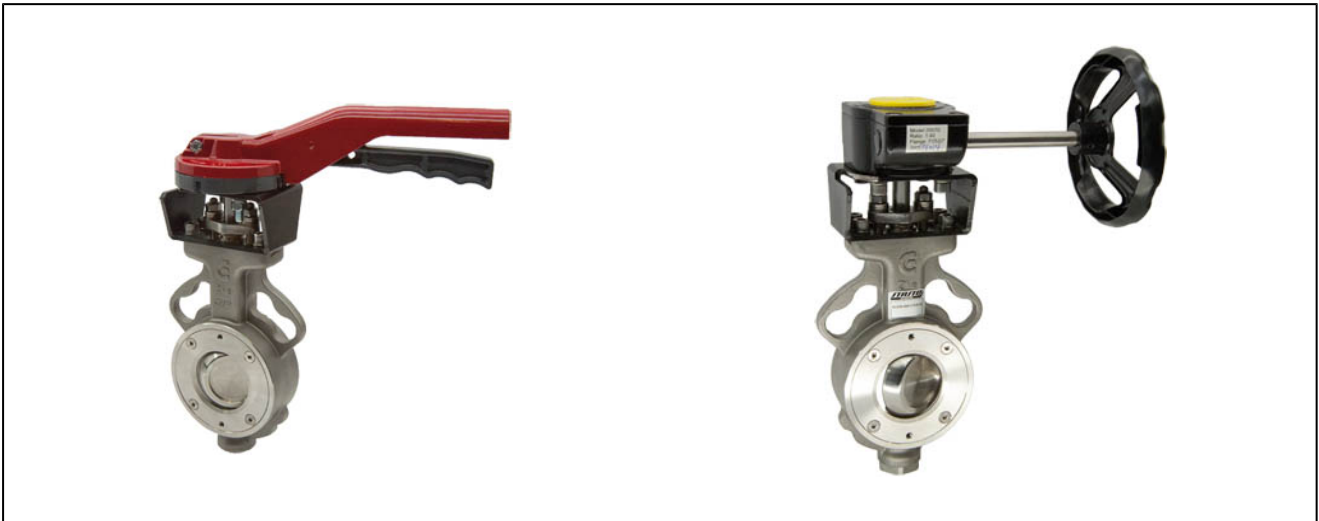


**butterfly valve DN50 to 250
series BUW9, BUWH, double eccentric**



design	wafer type butterfly valve with two-piece shaft, disc bearing double eccentric, shaft secured with screw connection against blow out
connection	flange according to EN1092
form of flange	wafer type: PN10/PN16/PN25/ANSI150 lug type PN10, PN16, PN25 oder ANSI150
length	according to EN558-1 line 20 (DIN3202-K1)
materials	body steel or stainless steel AISI 316, disc stainless steel AISI 316, shaft stainless steel AISI 630 hand lever aluminum gear box aluminum
seal	RTFE (reinforced PTFE) or Inconel 625 (metallic)
stem sealing	with self adjusting packing gland
Sealing at the flange	with additional flange gaskets (not enclosed in scope of supply)
type of fixing	installed into rigid pipework between two flanges according to EN1092, form 11, 21, 34
mounting position	any
application	group 1 and 2 liquids and gases acc. to 97/23/EC and which do not affect the used materials. steam applications after consultation
flow direction	any, preferred flow direction is marked by an arrow
medium temperature	see table "sealing materials "
operating pressure	vacuum max. 30mbar absolute to max. 25bar, see pressure-temperature diagram
actuation	hand lever aluminum, 10 positions, by rotating the mounting adapter 2 positions gear box aluminum continuously
special versions	body and disc made of duplex or superduplex, fire-safe, ATEX-design

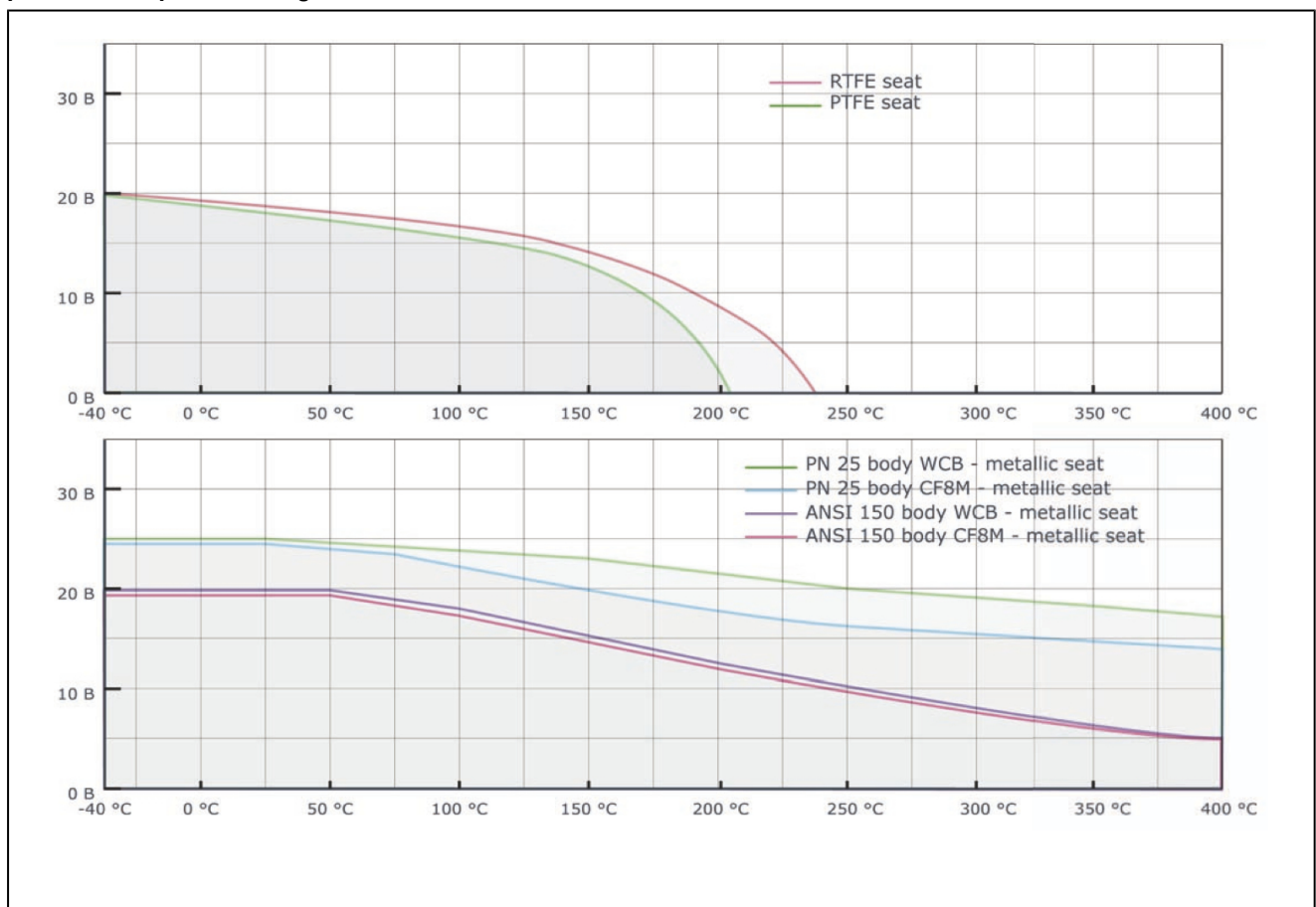
order code

		BU W 6 -050 -C S I S -L -A
butterfly valve flanged type	lug	L
	wafer	W
operating pressure / flange mounting	25bar...PN10/16/25/A150	9
	16bar...PN10/16/25/A150	H
nominal diameter	50mm	050
	65mm	065
	80mm	080
	100mm	100
	125mm	125
	150mm	150
	200mm	200
	250mm	250
body	steel	C
	stainless steel AISI 316	S
disc	stainless steel AISI 316	S
seal	Inconel 625	I
	RTFE	R
shaft	stainless steel AISI 630	S
actuation	bare shaft	B
	gear box	G
	hand lever aluminum 10 positions	L
special versions	ATEX	A
	free of oil and grease	G
	silicone-free	S

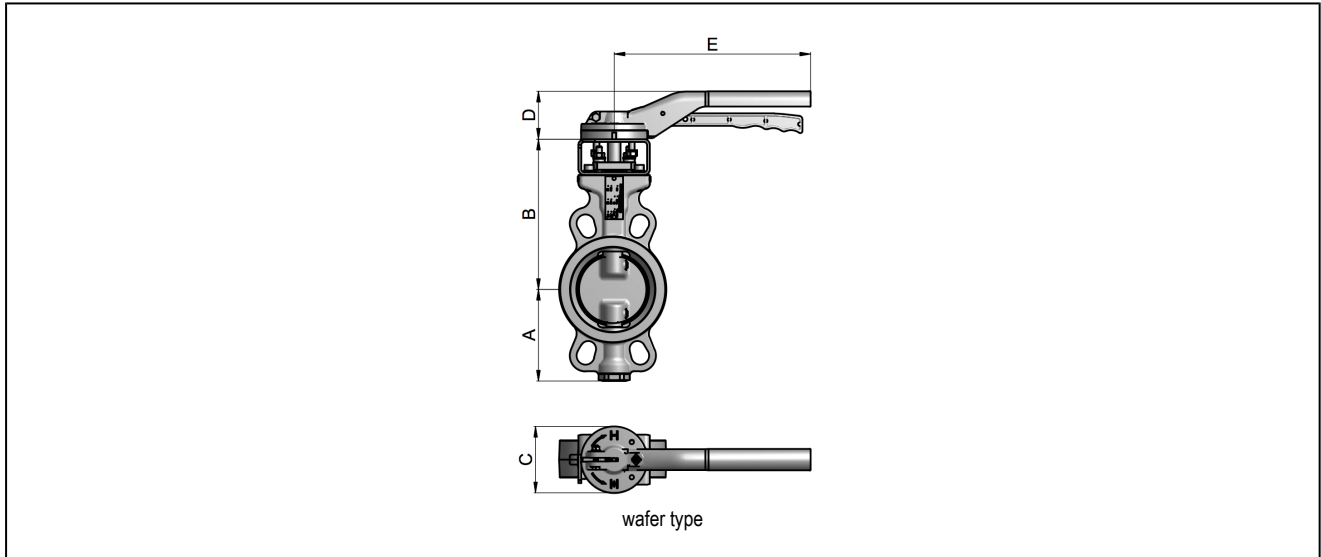
sealing materials

material	medium temperature	leakage rate
RTFE	-60 to +230°C	Class VI-ANSI/FCI70-2
Inconel 625 (metallic)	-60 to +450°C	Class V-ANSI/FCI70-2

pressure-temperature-diagram

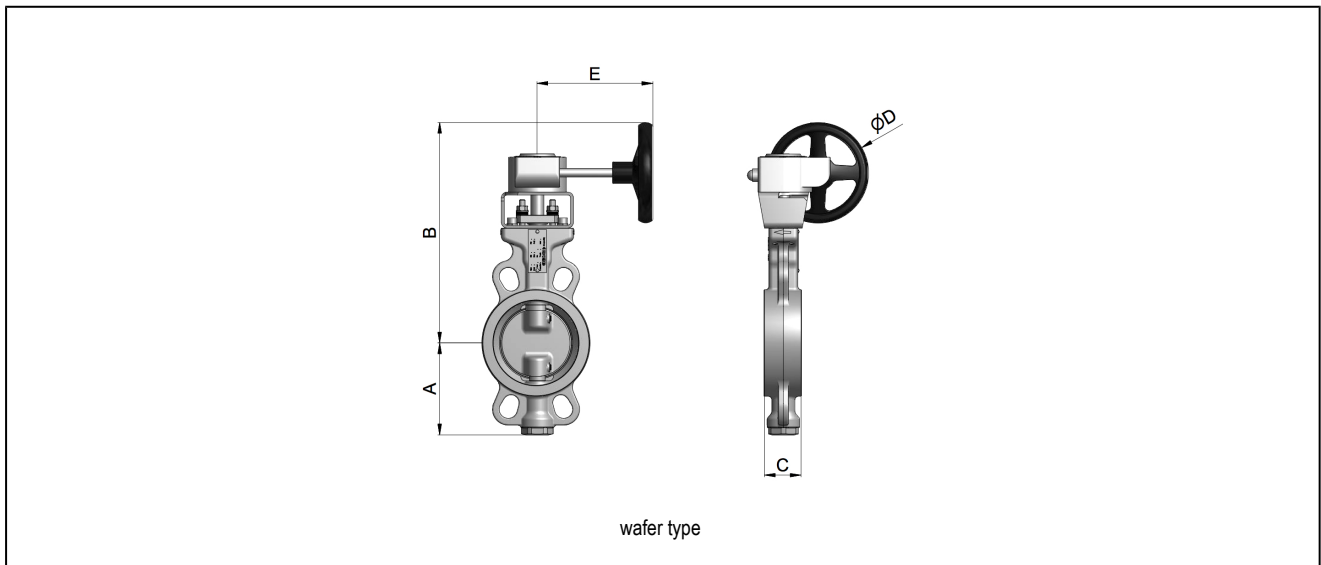


dimensions with handlever 10 positions



nominal diameter DN [mm]	A	B	C	D	E	stem square diagonal [mm]	flange ISO 5211	weight [app. kg]
50	81	117	43	117	220	11	F07	4,1
65	93	120	46	117	220	11	F07	4,6
80	101	129	46	117	220	11	F07	5,4
100	128	160	52	117	275	14	F07	8,65

dimensions with manual gear box



nominal diameter DN [mm]	A	B	C	D	E	stem type	stem size [mm]	flange ISO 5211	weight [app. kg]
50	81	282	43	125	134	square diagonal	11	F07	5,7
65	93	285	46	125	134	square diagonal	11	F07	6,2
80	101	294	46	125	134	square diagonal	11	F07	7
100	128	325	52	125	134	square diagonal	14	F07	10,2
125	159	378	56	200	197	square diagonal	17	F10	13,6
150	168	387	56	200	197	square diagonal	17	F10	17
200	207	436	61	200	197	key	25	F10	25,5
250	232	565	69	300	292	key	30	F12	43,5

kv value [m³/h]

nominal diameter DN [mm]	Opening angle of the butterfly valve								
	10°	20°	30°	40°	50°	60°	70°	80°	90°
50	-	3	12	22	31	38	43	49	56
65	-	11	23	41	64	85	110	133	153
80	33	45	59	79	104	129	156	172	178
100	61	111	154	192	235	276	325	365	408
125	116	160	225	308	421	559	672	767	823
150	197	243	316	390	490	634	798	1004	1123
200	335	374	596	698	888	1180	1531	2058	2325
250	505	660	862	1065	1359	1824	2391	3289	3729

illustrations are for information only and are non-binding
all designs, configurations, measurements and materials are subject to change without prior notice