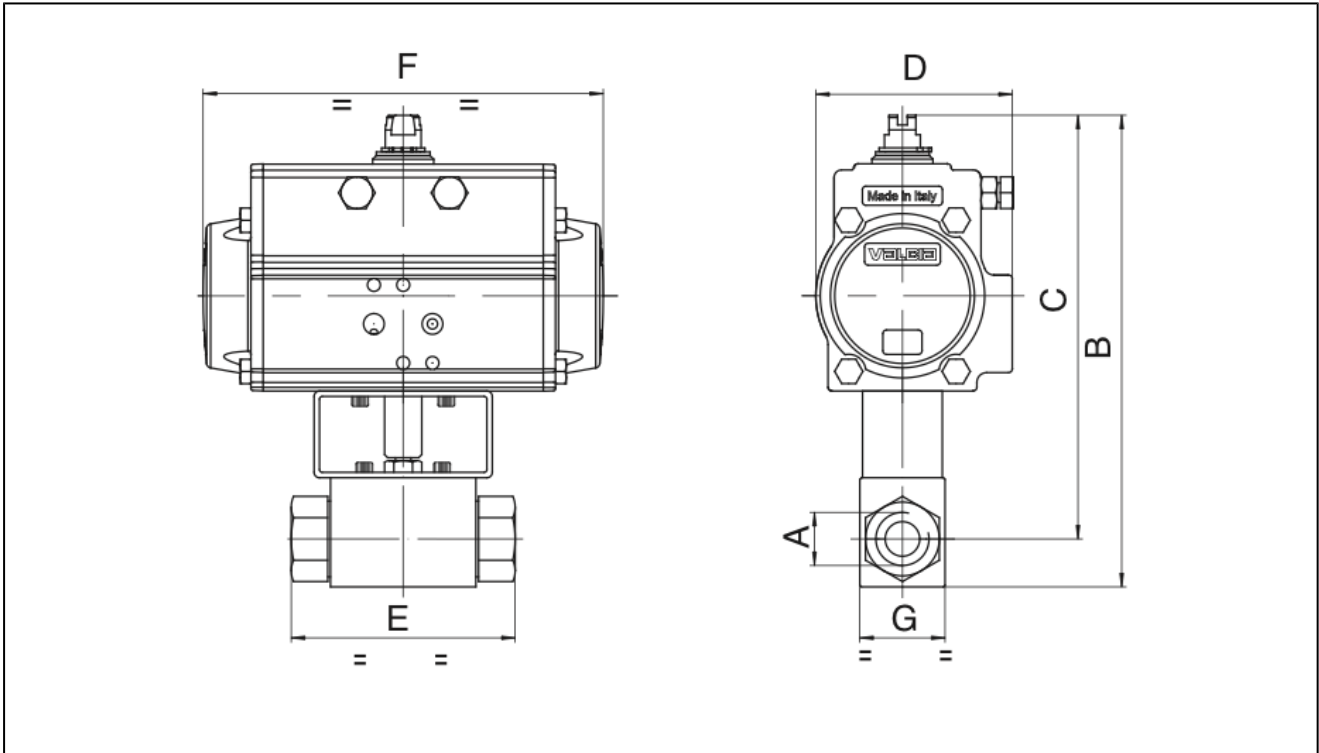


ball valves made of steel with pneumatic actuator series BAH1-...-UCPN



design	actuator: piston actuator with 2 counteracting pistons, elastic sealing, actuator complying with ISO 5211 or rather to NAMUR-references, end position +/-5° adjustable on both sides
connection	G1/2" ... G1" according to ISO228/1
materials	actuator: hard-anodised aluminum, pinion nickel-plated steel, piston guide POM, seals NBR
standard construction	ball valve: body made of zinc plated steel, ball made of steel, ball seal POM, stem seal NBR
function	delivery in double acting or single acting design
type of fixing	installed into rigid pipework
mounting position	any
control medium	filtered and lubricated or non lubricated compressed air
application	liquids of group 2 according to PED 97/23/EG, which do not affect the used materials
medium temperature	-10°C...+100°C
ambient temperature	-10°C...+85°C
control pressure	5,5 - 8bar, adaptation for lower control pressures on request
operating pressure	0bar to operating pressure according to table
special version	pinion made of stainless steel, ATEX, ambient temperatures of -40°C...+85°C, respectively -20°C...+150°C on request
accessories	mounted manual pneumatic or electric control valve electric end position signal, I/P or P/P positioner control of moving speed
order information	in case of order please specify control pressure, operating medium and operating pressure
direction for use	pressure and temperature values are maximum values for lubricating or not degreasing mediums. in particular degreasing media reduce the indicated values and increase the necessary torque. In border lines we recommend a previous consultation. when selecting the armature, the lowest control pressure in the equipment is taken as the basis

dimensions



ball valves with double acting pneumatic actuator

connection A	nominal diameter DN[mm]	max. operating pressure [bar]	B	C	D	E	F	G	type of actuator	weight [app. kg]	type
G1/2"	13	500	204	187	81	85	164	35	PAD063	3,4	BAH1-004-UCPN-D0
G3/4"	20	400	221	196	81	96	164	49	PAD063	4,0	BAH1-005-UCPN-D0
G1"	24	350	251	226	95	113	210	60	PAD075	5,3	BAH1-006-UCPN-D0

ball valves with single acting pneumatic actuator

connection A	nominal diameter DN[mm]	max. operating pressure [bar]	B	C	D	E	F	G	type of actuator	weight [app. kg]	type
G1/2"	13	500	236	219	106	85	241	35	PAS0855	6,5	BAH1-004-UCPN-S0
G3/4"	20	400	266	242	123	96	275	49	PAS1005	9,4	BAH1-005-UCPN-S0
G1"	24	350	278	253	123	113	275	60	PAS1005	10,2	BAH1-006-UCPN-S0

single acting actuators are delivered normally closed (NC), if not specified in your order.

illustrations are for information only and are non-binding
all designs, configurations, measurements and materials are subject to change without prior notice