

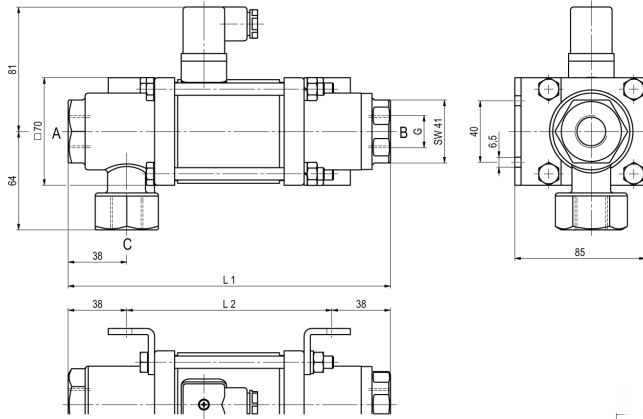
3/2-way coaxial solenoid valve - directly operated, DN15 series CVT3/CVF3-15



design	3/2-way coaxial solenoid valve , directly operated, normally closed or normally open
mode of operation	pressure balanced, with spring return, not free of overlapping
nominal diameter	DN 15mm
connection	CVT3: G3/8" ...G3/4", CVF3: flanges PN16/40, special flanges and -threads on request
pressure range	0-16 or 0-40bar, A → B max. 40bar / B → A max. 16bar / A → C max. 40bar / C → A max. 40bar
back pressure	P2 > P1, see pressure range
materials	optional body brass, nickel plated brass, steel nickel plated, zinc plated steel, nonferrous free or stainless steel valve seat plastic on metal, sealing materials NBR, PTFE, FPM, CR, EPDM the indications of material of the remarks exclusively refer to the valve connection parts coming into contact with the medium
media	gaseous - liquid - highly viscous - gelatinous - contaminated
flow direction	see pressure range
type of fixing	installed into rigid pipework, mounting bracket on request
mounting position	any
vacuum leakage rate	$< 10^{-6} \text{mbar} \cdot \text{l} \cdot \text{s}^{-1}$
kv value	4,3m ³ /h
operations	200/min.
switching time	open 80ms, close 80ms
medium temperature	-20...+80°C (special version -40...+160°C)
ambient temperature	-20...+80°C
certifications	on request LR/GL/EN10204
weight	MK 4,3kg, FK 5,9kg
options	vacuum-test with certificate, limit switch inductive (NO contact PNP- Icomatic/Balluf), limit switch inductive NAMUR (+ switch amplifier), limit switch mechanical (change-over contact), design ATEX, cushioned closing, manual emergency override, design TÜV

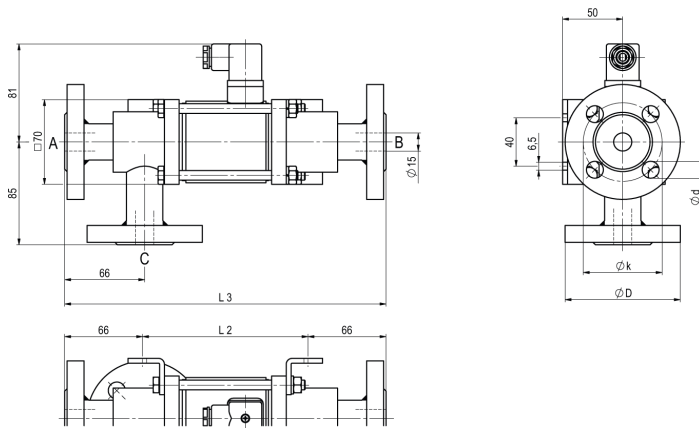
type of current	AC and DC
standard voltage	230V/40-60Hz, 24VDC, acceptable voltage tolerance $\pm 10\%$
special voltage	on request
magnetic system	DC direct current solenoid, AC direct current solenoid with integrated rectifier (above 100°C with separate rectifier)
classification of insulation	H 180°C
current consumption	N-coil 24VDC 1,6A, 230VAC 0,15A, H-coil 24VDC 2,30A, 230VAC 0,24A
duty cycle	100% duty cycle (continuous operation)
protection class	IP65 according to EN 60529 for a correctly mounted connector (protection against the penetration of dust and jet water)
scope of supply	with connector acc. to EN175301-803-form A (previous DIN43650)-cable inlet M16x1,5
optional	connector acc. to DESINA, connector acc. to VDMA, terminal box M16x1,5 on request
additional features	connector with integrated LED and VDR
order data	nominal diameter, connection, NC/NO function, operating pressure, flow rate, medium, medium temperature, ambient temperature, nominal voltage, nominal voltage limit switch
direction for use	the valves technical design is based on media and application, which may lead to deviations from the general information on the data sheet in terms of design, sealing materials and characteristics. if order or application information is inexact or incomplete, there is a risk of the incorrect design of valves for the intended use. This can have the effect that the physical and / or chemical properties of the used materials or seals for the intended purpose are insufficient.

dimensions



CVT3-15 function NC

overall length	L1	L2	L3
standard	209	133	265
with 1/2 inductive limit switches	249	173	305
manual override type (Hd) Hd with 1/2 industrial limit switches	249	173	305
with mechanical limit switches	249	173	305



CVF3-15 function NO

flange PN	DIN	ØD	Øk	Ød
16	EN 1092-1	95	65	14
40	EN 1092-1	95	65	14

mounting brackets are to be ordered separately

electrical connection



M12x1 DESINA / VDMA



DIN EN 175301-803



terminal box



A type connector
DIN EN 175301-803

limit switch



Icomatic plastic design
M12x1, DC 10 - 60V
AC 15 - 250V
-25...+85°C



Balluff metal
M12x1, DC 10 - 30V
-25...+70°C



Honeywell
change-over contact

illustrations are for information only and are non-binding
all designs, configurations, measurements and materials are subject to change without prior notice