

## TECHNICAL SPECIFICATIONS

Type of control	Pilot operated, differential pressure necessary
Design	Piston design
Connection	Threaded G1/4 - G2 DIN ISO 228/1 (BSP) Further connections like NPT on request
Installation	Preferable with actuator upright
Pressure	0,5 - 40 bar (see table on page 2)
Medium	Clean, neutral, gaseous and liquid media
Viscosity	22 mm <sup>2</sup> /s
Temperature range	Medium: -20 °C bis +80 °C Ambient: -20 °C bis +50 °C In consideration of the restrictions described on page 4
Body material	Brass 2.0402 Stainless steel 1.4581
Metallic inner parts	Brass and stainless steel
Sealing	NBR, FKM, EPDM, PTFE
Supply voltage	AC~ 24V, 110V, 230V DC= 12V, 24V Other supply voltages on request
Voltage tolerance	-10% / +10%
Power consumption	.182 = 6,8 Watt    .178 = 5,2 Watt ⚡ .032 = 11 Watt    .148 = 10 Watt ⚡ .012 = 18 Watt
Type of control	IP65 acc. to DIN 60529
Duty factor	100% ED-VDE 0580
Connection type	Standard coils: Plug ATEX-coils: 3m cable
Ex-proof	acc. to directive 2014/34/EU (ATEX)

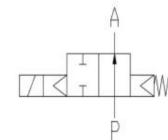
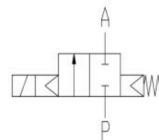
## VALVE FEATURES

- Pressure difference is required
- High life time
- Simple compact valve design
- High-quality materials
- Reliable and sturdy sealing elements
- Long-term availability of spare parts

## FUNCTION

NC – non energized closed

NO – non-energized open



## CERTIFICATES



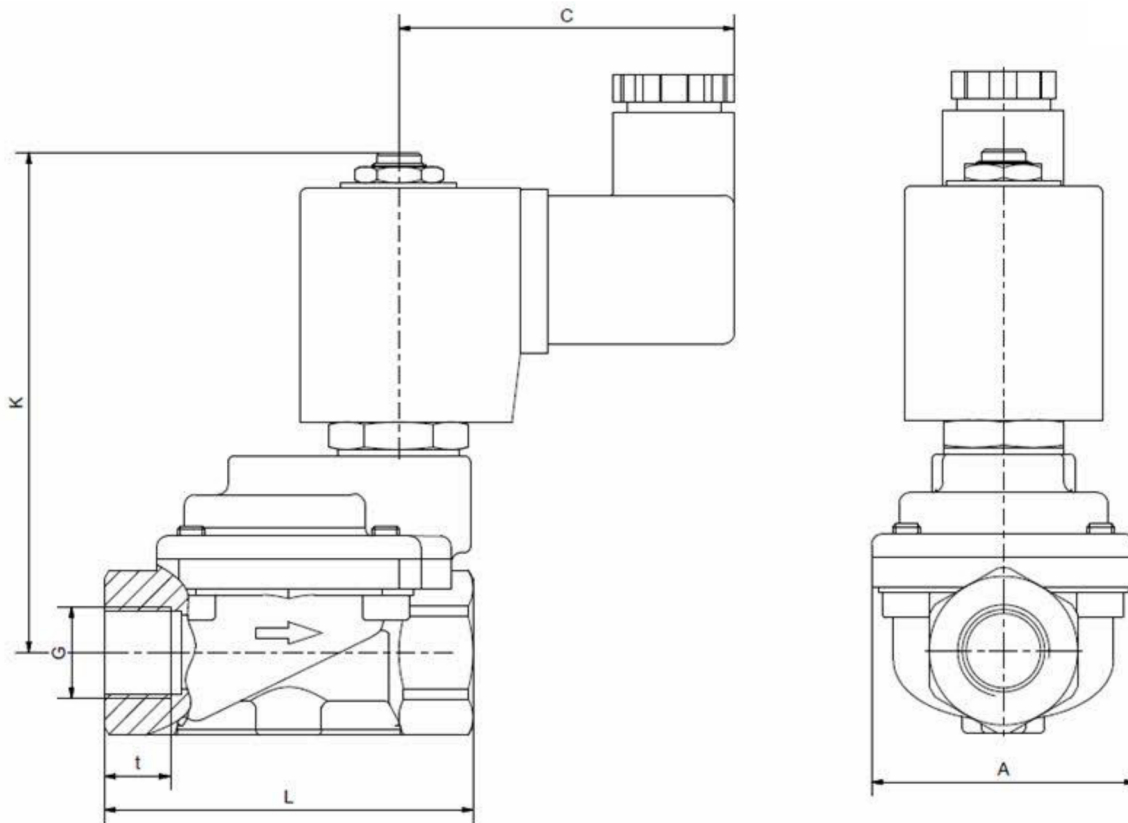
## TECHNICAL FEATURES

G	Seat mm	Kv-value m³/h	max. pressure for coils <b>NC</b>		max. pressure for coils <b>ATEX NC</b>	
			.182	.032	.178	.148
1/4	13,5	1,8	0,5-40	0,5-40	0,5-12	0,5-40
3/8	13,5	4,0	0,5-40	0,5-40	0,5-12	0,5-40
1/2	13,5	4,5	0,5-40	0,5-40	0,5-12	0,5-40
3/4	27,5	11,5	0,5-40	0,5-40	0,5-12	0,5-40
1	27,5	13,0	0,5-40	0,5-40	0,5-12	0,5-40
1 1/4	40	29,0	-	0,5-40	-	0,5-40
1 1/2	40	33,0	-	0,5-40	-	0,5-40
2	50	49,0	-	0,5-40	-	0,5-40

The flow rate mentioned in the table applies to the strongest coil.

G	Seat mm	Kv-value m³/h	max. pressure for coils <b>NO</b>	
			.012	.148
1/4	13,5	1,8	0,5-40	0,5-25
3/8	13,5	4,0	0,5-40	0,5-25
1/2	13,5	4,5	0,5-40	0,5-25
3/4	27,5	11,5	0,5-40	0,5-20
1	27,5	13,0	0,5-40	0,5-20
1 1/4	40	29,0	0,5-16	0,5-13
1 1/2	40	33,0	0,5-16	0,5-13
2	50	49,0	0,5-16	0,5-13

## DIMENSIONS



Coil	.182 / .178				
------	-------------	--	--	--	--

	1/4	3/8	1/2	3/4	1
G	1/4	3/8	1/2	3/4	1
A	48	48	48	70	70
C	51	51	51	51	51
K	75	75	75	91	91
L	67	67	67	96	96
t	12	12	12	16	16
kg	0,9	0,85	0,8	1,8	1,65

\*Differing dimension "C" for ATEX-coils

Coil	.032 / .012 / .148							
------	--------------------	--	--	--	--	--	--	--

	1/4	3/8	1/2	3/4	1	1 1/4	1 1/2	2
G	1/4	3/8	1/2	3/4	1	1 1/4	1 1/2	2
A	48	48	48	70	70	96	96	112
C	61	61	61	61	61	61	61	61
K	90	90	90	106	106	128	128	140
L	67	67	67	96	96	140	140	168
t	12	12	12	16	16	22	22	22
kg	0,9	0,85	0,8	1,8	1,65	3,8	3,5	5,2

\*Differing dimension "C" for ATEX-coils