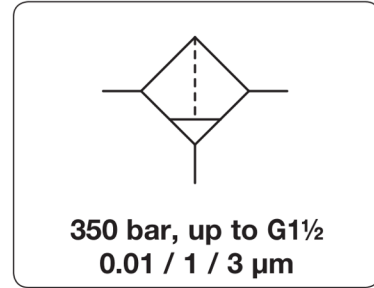


# high pressure filter series FI23

<b>Description</b>	The filter separates oil, water and solid impurities from compressed air or non-corrosive gases. It is resistant to mineral and synthetic oils.
<b>Filter element</b>	Fabric of borosilicate fibre A 901 with high-volume fiberglass bed. Coalescing effect based on Brownian motion. With stainless steel jacket and internal draining layer. An arrow indicates flow from inside to outside.
<b>Filtration efficiency</b>	99.99% based on 3 µm particle size, $\Delta p = 0.02/0.07$ bar*, see special options for further filters
<b>Service life</b>	Large filter volume through folding makes for exceptionally long service life and high capacity for collection of solid particles with low differential pressure.
<b>Filter change</b>	The filter must be changed as from 0.35 bar differential pressure or after one year at the latest.
<b>Drainage</b>	manual drain as standard
<b>Operating pressure</b>	max. 350 bar
<b>Temperature range</b>	1 °C to 80 °C / 34 °F to 176 °F at coalescing filter 1 °C to 40 °C / 34 °F to 104 °F at activated carbon filter
<b>Material</b>	Body: chromated and powder-coated cast aluminium at sizes G¼ to G½, powder-coated steel at sizes G¾ to G1½ Elastomer: NBR/Buna-N



Dimensions			Bowl		Flow rate *2		Connection thread
A	B	C	Design	Capacity	m³/h	l/min	G

## High pressure filter up to 350 bar with manual drain, 99.99% at 3 µm

A	B	C	Design	Capacity	m³/h	l/min	G
90	330	305	aluminium /	0.35	130	2 170	G¼
90	330	305	manual drain	0.35	250	4 170	G¾
90	395	370		0.50	450	7 500	G½
116	445	420	steel /	1.40	1 020	17 000	G¾
116	530	505	manual drain	1.90	1 500	25 000	G1
125	640	607		4.20	1 950	32 500	G1½
125	900	867		4.20	3 200	53 300	G1½



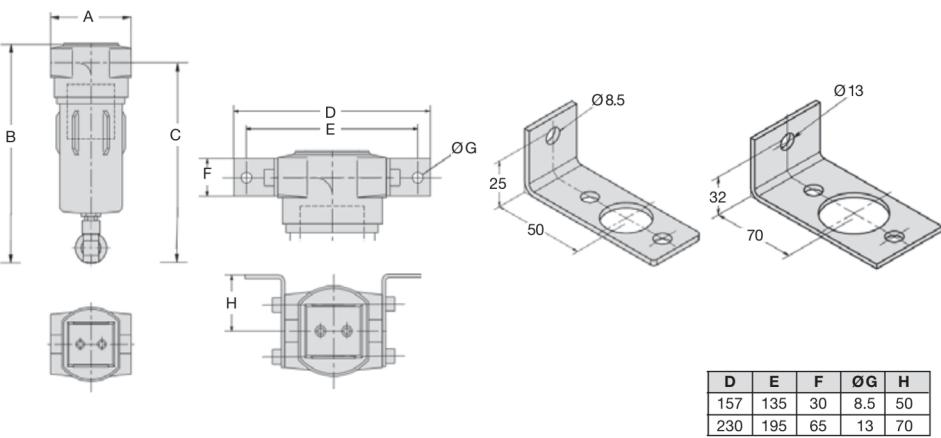
## Special options, add the appropriate letter

	Filtration efficiency	Residual oil content	$\Delta p$ *1
<b>1 µm filter element</b>	99.99999%,	< 0.5 mg/m³,	0.03/0.10 bar
<b>0.01 µm filter element</b>	99.999999%,	< 0.01 mg/m³,	0.06/0.15 bar
<b>0.01 µm filter element</b>	99.999999%,	< 0.001 mg/m³,	0.12/0.28 bar
<b>activated carbon</b>		< 0.003 mg/m³	0.03 bar
<b>differential press. gauge</b>			
<b>without manual drain</b>			



## Accessories

mounting bracket set made of steel



\*1 pressure drop, dry/wetted      \*2 at max. operating pressure

Abbildungen unverbindlich, Konstruktions-, Maß- und Werkstoffänderungen vorbehalten  
illustrations are non-binding, all designs, configurations, measurements and materials are subject to change without prior notice