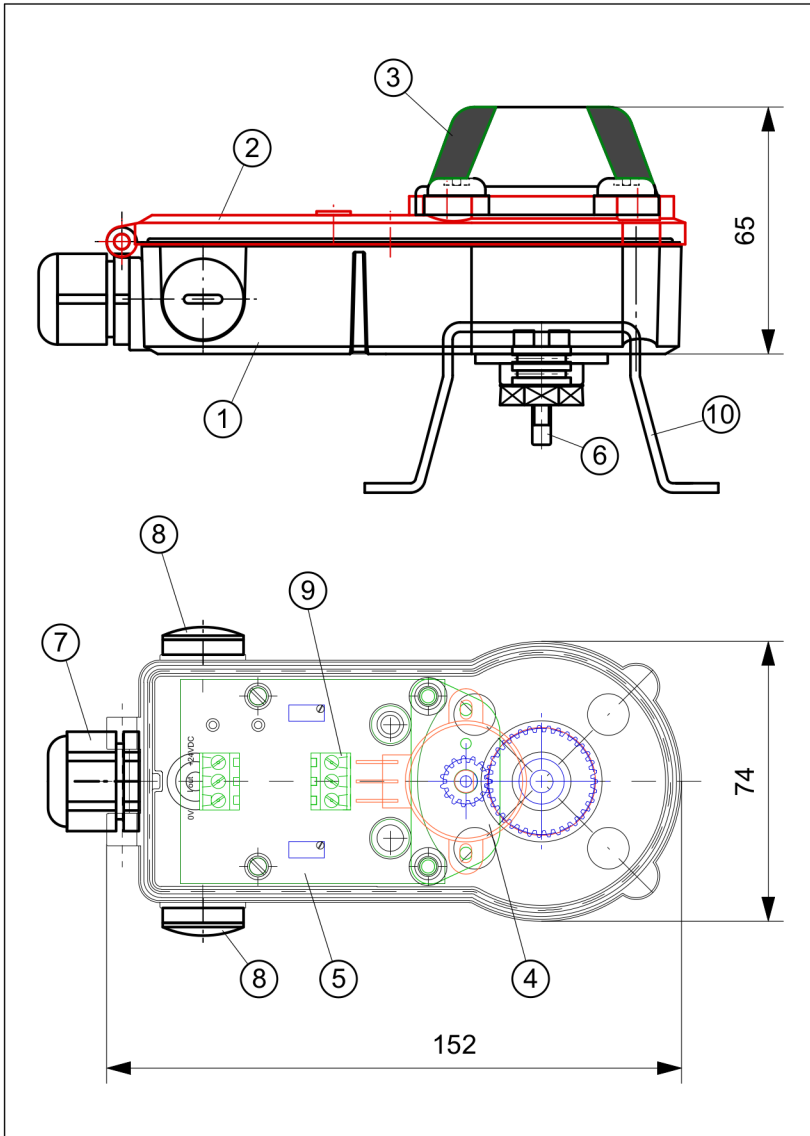


FMV2-Modul with potentiometer, output signal 4-20 mA,  
in Aluminium housing 148x74x65 mm, with high vision beacon



**TECHNICAL DATA**

Angle sensor:	WAL305
Angle of rotation:	0 ... 340°
Operating mode:	3-wire
Signal output:	4 ... 20 mA
Angular range:	0 ... 90°
Supply voltage:	24 V DC
Range:	adjustable
Offset:	adjustable
Rotation direction:	CW / CCW
Linearity:	± 2%
Temperature range:	-25 ... +75°C
Housing base:	Aluminium, grey
Housing cover:	Aluminium, red
Sealing:	PUR
Ingress protection:	IP65 (Housing)
System connection:	Cable gland M20x1,5

**OBJECT LIST**

Pos.	Pcs.	Description	Material
1	1	Housing	Aluminium
2	1	Cover with hinge	Aluminium
3	1	High vision beacon (0 ... 90°)	-
4	1	Potentiometer	-
5	1	Circuit board	-
6	1	Axis	POM
7	1	Cable gland M20x1,5	PA
8	2	Blind plug M16x1,5	PA
9	1	Terminal block 3-pole	
10	1	Bracket size 1-4	PA

**WIRING DIAGRAM**

