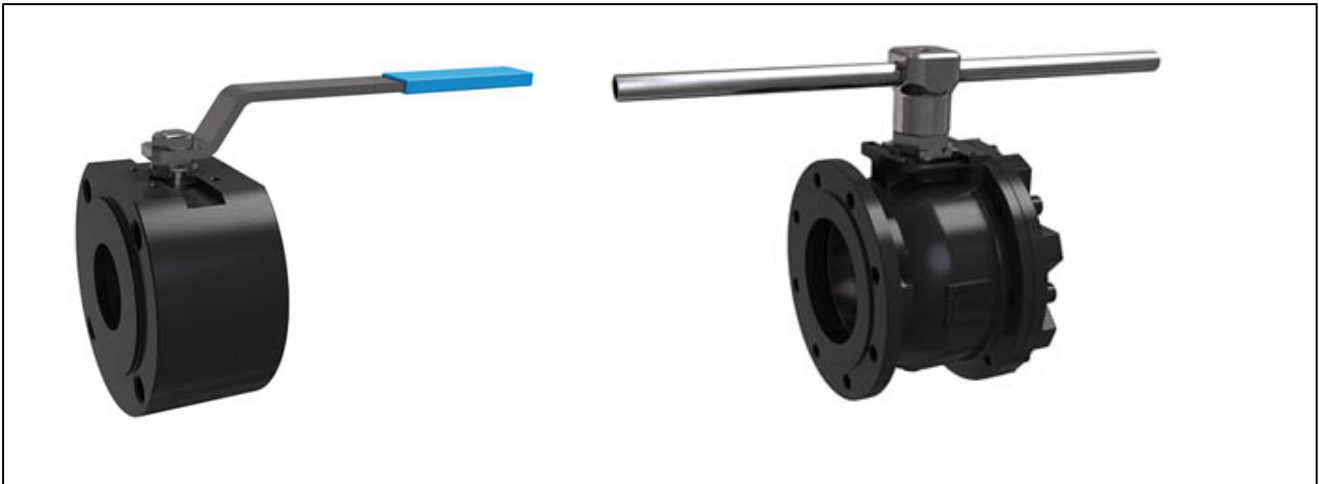
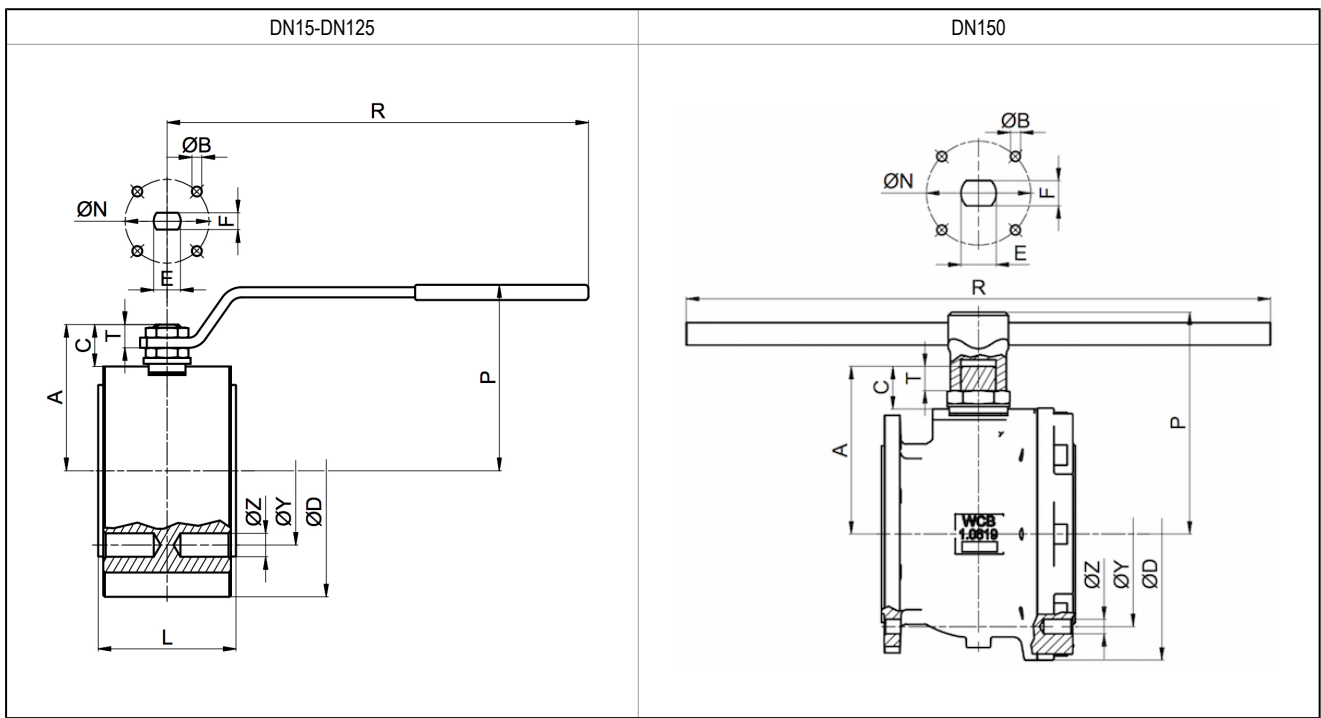


flange ball valve made of steel series BA045

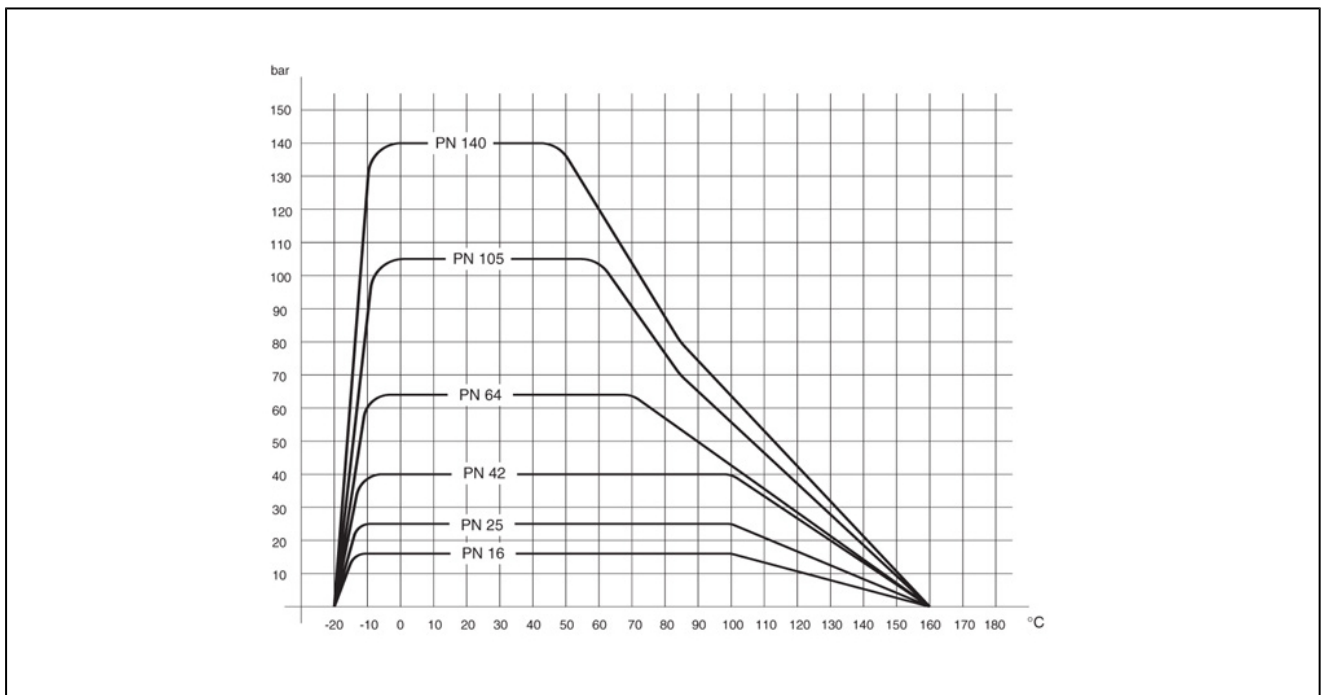


design	two way ball valve with floating ball, full bore
connection	flange DN15...DN150 according to EN1092-1, PN40
materials	body steel respectively carbon steel A216-WCB, ball stainless steel AISI 304, ball seal made of fibre-glass-reinforced PTFE, stem seal PTFE/FKM hand lever DN15-DN125 zinc plated steel, DN150 cast iron EN-JL1040
type of fixing	installed into rigid pipework
mounting position	any
application	group 1 and 2 liquids and gases acc. to PED 2014/68/EU and which do not affect the used materials. we recommend the use of special steam ball valves for applications with steam.
medium temperature	-10...+160°C
operating pressure	vacuum max. 10^{-3} Torr to nominal pressure according to table and pressure-temperature diagram
actuation	with 90° turn of the handle
special versions	ATEX, ANSI flange, integral seals, heating jacket for ductile media, steam type design



nominal diameter DN[mm]	PN [bar]	A	B	C	D	E	F	L	ØN	P	R	T	Y	Z	kv value [m ³ /h]	weight [app. kg]	type
15	40	47	4xM5	15,5	90	10	7	35	32	65	131	9	65	4xM12	19,2	1,30	BA045-15-L
20	40	51,5	4xM5	15,5	100	10	7	40	32	69	131	9	75	4xM12	35,0	1,80	BA045-20-L
25	40	61	4xM5	19,5	115	12	8	46	F04	80	174	11	85	4xM12	64,5	2,70	BA045-25-L
32	40	64,5	4xM5	16,5	140	12	8	54	F04	84	174	11	100	4xM16	103,8	4,30	BA045-32-L
40	40	78	4xM6	24,5	150	16	10	63,5	F05	102	250	13	110	4xM16	174,0	5,10	BA045-40-L
50	40	87	4xM6	25	165	16	10	82	F05	111	250	13	125	4xM16	301,3	8,80	BA045-50-L
65	40	104,5	4xM8	25	185	20	14	103	F07	128	321	18	145	8xM16	545,7	15,60	BA045-65-L
80	40	115	4xM8	28,5	200	20	14	122	F07	138	321	18	160	8xM16	872,5	20,80	BA045-80-L
100	40	137	4xM10	34,5	220	24	18	152	F10	156	381	22	190	8xM20	1363,3	39,30	BA045-100-L
125	40	159	4xM10	34	270	24	18	196	F10	178	381	22	220	8xM24	2360,3	53,6	BA045-125-L
150	40	201,5	4xM12	51,5	300	42	30	232	F12	266	700	30	250	8xM24	3671,1	68,50	BA045-150-L

pressure-temperature-diagram



illustrations are non-binding
all designs, configurations, measurements and materials are subject to change without prior notice