

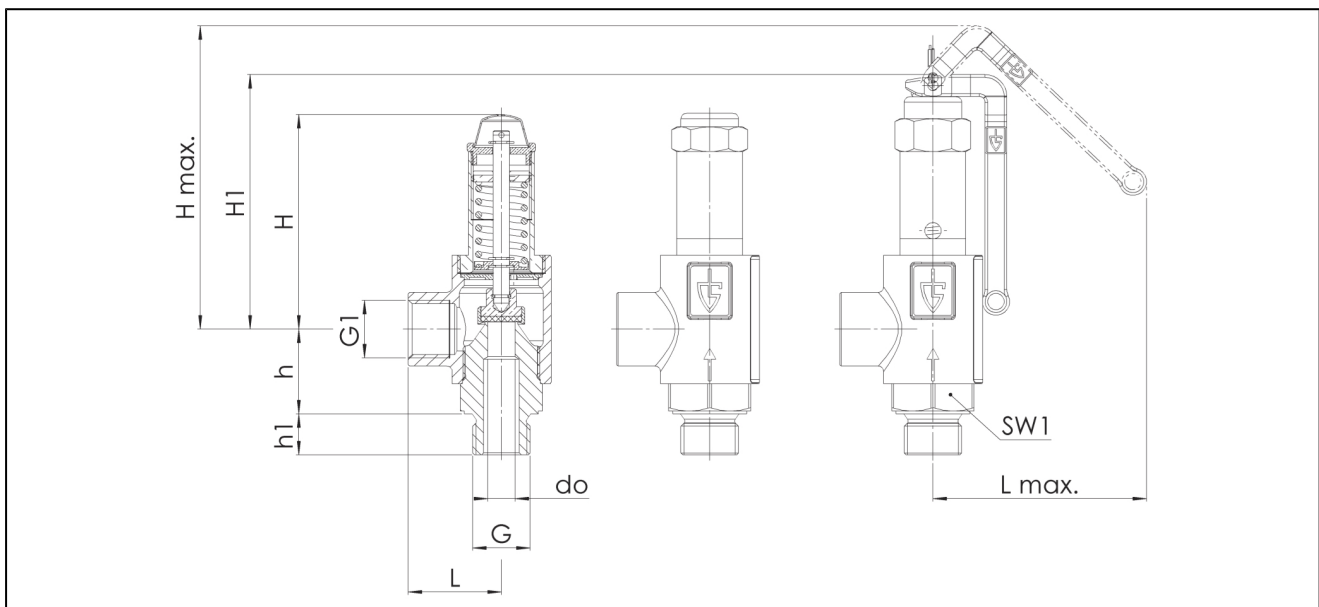
safety valve, full stroke made of bronze with TÜV inspection number series SF11



design	spring-loaded fully stroke safety valves with gas-proof cover this types are not back pressure compensated - occurring back pressure during the blow process does affect to the set pressure. the set pressure is protected against adjustments through a seal cap.
connection	inlet male thread G1/4"...G1/2", outlet male thread G1/2"
materials	inlet body stainless steel AISI 316L, outlet body bronze, inner parts brass, spring stainless steel AISI 301
medium temperature	-60...+225°C
range of adjustment	see table
type of fixing	installed into rigid pipework
mounting position	vertical only
application	see table
order information	specify set pressure by order
special versions	with lifting lever or twist lifting, valve in ATEX

table:

range of adjustment	seal	application	type
0,5 - 22	PTFE	neutral/non-neutral vapours, gases and liquids	SF11
22,1 - 50	PTFE coal filled	neutral/non-neutral vapours, gases and liquids	SF11-...C



G	G1	L	H	H1	h	H max.	h1	SW1	d ₀	weight [app. kg]	type	type
G1/4"	G1/2"	34	79	93	31	111	12	30	6	0,5	SF11-14W1-6-XX	SF11-14W1-6-XX-C
G3/8"	G1/2"	34	79	93	31	111	12	30	8	0,5	SF11-38W-8-XX	SF11-38W-8-XX-C
G1/2"	G1/2"	34	79	93	31	111	12	30	10	0,6	SF11-12-10-XX	SF11-12-10-XX-C

XX - set pressure

discharge capacity at 10% overpressure for Typ SF11 air [Nm³/h]

size	set pressure [bar]															
	0,5	1	2	4	6	8	10	12	14	16	18	20	22	24	25	
G1/4"	6	10	18	32	45	58	72	85	101	114	128	142	160	174	181	
G3/8"	24	35	57	98	140	181	222	262	303	344	384	441	491	534	556	
G1/2"	44	67	113	196	276	356	436	516	596	676	756	836	916	996	1036	

size	set pressure [bar]													
	26	28	30	32	34	36	38	40	42	44	46	48	50	
G1/4"	188	202	216	230	244	258	272	286	300	314	328	342	355	
G3/8"	577	620	663	706	749	792	835	877	920	963	1006	1049	1092	
G1/2"	1076	1156	1236	1316	1396	1475	1555	1635	1715	1795	1875	1955	2035	

discharge capacity at 10% overpressure for Typ SF11 steam [kg/h]

size	set pressure [bar]															
	0,5	1	2	4	6	8	10	12	14	16	18	20	22	24	25	
G1/4"	4	8	15	25	35	45	54	64	76	86	96	106	120	130	135	
G3/8"	18	28	45	76	108	138	168	198	228	258	288	330	367	399	415	
G1/2"	34	54	89	152	213	272	331	390	449	508	566	625	684	743	773	

discharge capacity at 10% overpressure for Typ SF11 water [m³/h]

size	set pressure [bar]															
	0,5	1	2	4	6	8	10	12	14	16	18	20	22	24	25	
G1/4"	0,54	0,70	1,00	1,40	1,67	1,92	2,11	2,27	2,43	2,62	2,78	2,90	3,04	3,18	3,25	
G3/8"	0,86	1,13	1,62	2,24	2,67	3,08	3,46	3,78	4,08	4,37	4,62	4,93	5,17	5,40	5,51	
G1/2"	1,62	2,24	3,13	4,40	5,40	6,32	7,07	7,72	8,37	9,05	9,56	10,13	10,62	11,09	11,32	

size	set pressure [bar]													
	26	28	30	32	34	36	38	40	42	44	46	48	50	
G1/4"	3,31	3,43	3,56	3,67	3,79	3,89	4,00	4,11	4,21	4,31	4,40	4,50	4,59	
G3/8"	5,62	5,83	6,04	6,24	6,43	6,62	6,80	6,97	7,15	7,31	7,48	7,64	7,80	
G1/2"	11,55	11,98	12,40	12,81	13,21	13,59	13,96	14,32	14,68	15,02	15,36	15,69	16,01	

illustrations are non-binding
all designs, configurations, measurements and materials are subject to change without prior notice