

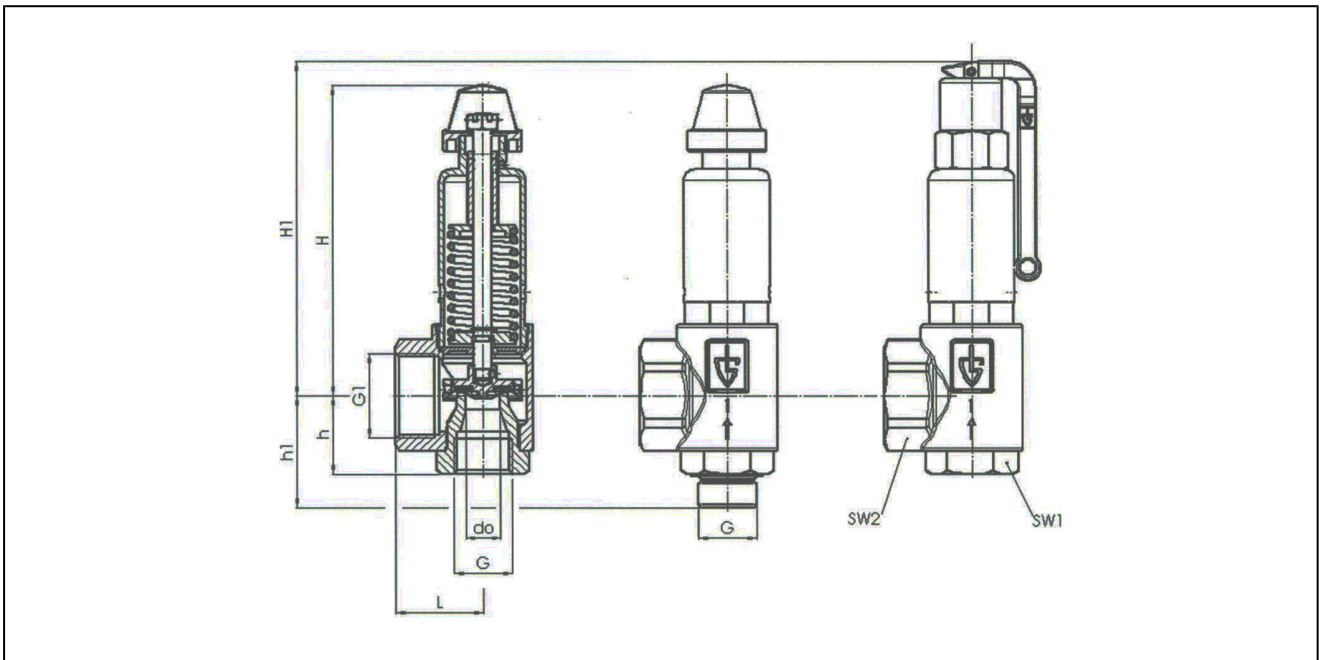
safety valve, full stroke made of bronze with TÜV inspection number series SF01/SF05



design	spring-loaded fully stroke safety valves by turning the knurled nut the valves can be exhausted. this types are not back pressure compensated - occuring back pressure during the blow process does affect to the set pressure. the set pressure is protected against adjustments through a seal cap.
connection	female thread G1/2" ...G11/4"
materials	valve body bronze, inner parts brass, spring stainless steel AISI 301
medium temperature	see table
range of adjustment	see table
type of fixing	installed into rigid pipework
mounting position	vertical only
application	see table
order information	specify set pressure by order
special versions	set pressure 25,1...50bar, with lifting lever instead of twist lifting, inlet with male thread, valve in ATEX

table:

range of adjustment	seal	application	medium temperature [°C]	type
0,5 - 25	NBR	air, non-toxic gases and steams	-30...+130	SF01
0,5 - 25	PTFE	air, non-toxic gases and steams	-60...+225	SF01-...T
0,5 - 25	NBR	neutral liquids	-30...+130	SF05



G	G1	L	H	H1	h	h1	SW1	SW2	do	weight [app. kg]	type	type	type
G1/2"	G1"	40	77	91	30	45	30	40	15,8	0,4	SF01-12W-15.8-XX	SF01-12W-15.8-XX-T	SF05-12W-15.8-XX
G3/4"	G11/4"	43	138	158	39	55	36	50	18	1,0	SF01-34W-18-XX	SF01-34W-18-XX-T	SF05-34W-18-XX
G1"	G11/2"	50	178	192	45	63	46	58	23	1,8	SF01-10W-23-XX	SF01-10W-23-XX-T	SF05-10W-23-XX
G11/4"	G2"	61	241	264	55	75	55	70	30	4,0	SF01-114W-30-XX	SF01-114W-30-XX-T	SF05-114W-30-XX

XX - set pressure

discharge capacity at 10% overpressure for Typ SF01 air [Nm³/h]

size	set pressure [bar]														
	0,5	1	2	4	6	8	10	12	14	16	18	20	22	24	25
G1/2"	56	87	141	238	335	431	528	625	722	819	916	1013	1109	1206	1255
G3/4"	127	189	316	561	790	1018	1247	1475	1704	1932	2161	2390	2618	2847	2961
G1"	199	291	489	855	1203	1552	1900	2248	2596	2945	3293	3641	3990	4338	4512
G11/4"	353	515	832	1484	2088	2693	3297	3902	4506	5111	5715	6320	6924	7529	7831

discharge capacity at 10% overpressure for Typ SF01 steam [kg/h]

size	set pressure [bar]														
	0,5	1	2	4	6	8	10	12	14	16	18	20	22	24	25
G1/2"	42	69	111	184	257	329	401	472	544	616	686	757	829	900	936
G3/4"	96	151	249	435	608	777	947	1115	1284	1453	1619	1787	1956	2125	2209
G1"	150	232	385	663	926	1184	1443	1699	1957	2214	2467	2723	2981	3238	3366
G11/4"	266	411	656	1151	1607	2056	2504	2948	3396	3842	4281	4726	5173	5619	5842

discharge capacity at 10% overpressure for Typ SF05 water [m³/h]

size	set pressure [bar]														
	0,5	1	2	4	6	8	10	12	14	16	18	20	22	24	25
G1/2"	2,3	3,1	4,4	6,3	7,7	8,9	9,9	10,9	11,8	12,6	13,3	14,0	14,7	15,4	15,7
G3/4"	5,4	7,3	10,4	14,7	18,0	20,8	23,2	25,4	27,5	29,4	31,1	32,8	34,4	35,9	36,7
G1"	8,8	12,0	16,9	24,0	29,3	33,9	37,9	41,5	44,8	47,9	50,8	53,6	56,2	58,7	59,9
G11/4"	15,4	20,8	29,4	41,6	50,9	58,8	65,8	72,0	77,8	83,2	88,2	93,0	97,5	101,9	104,0

illustrations are non-binding

all designs, configurations, measurements and materials are subject to change without prior notice