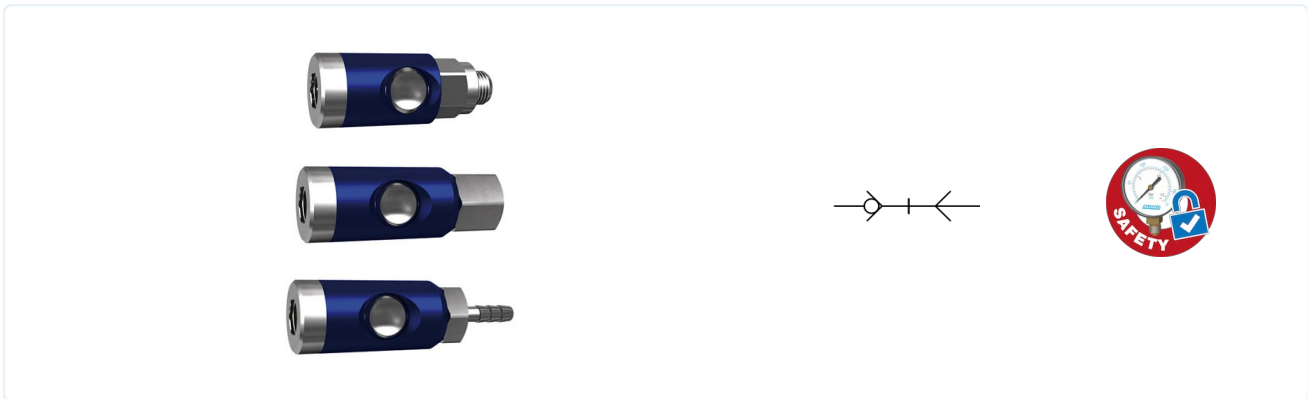
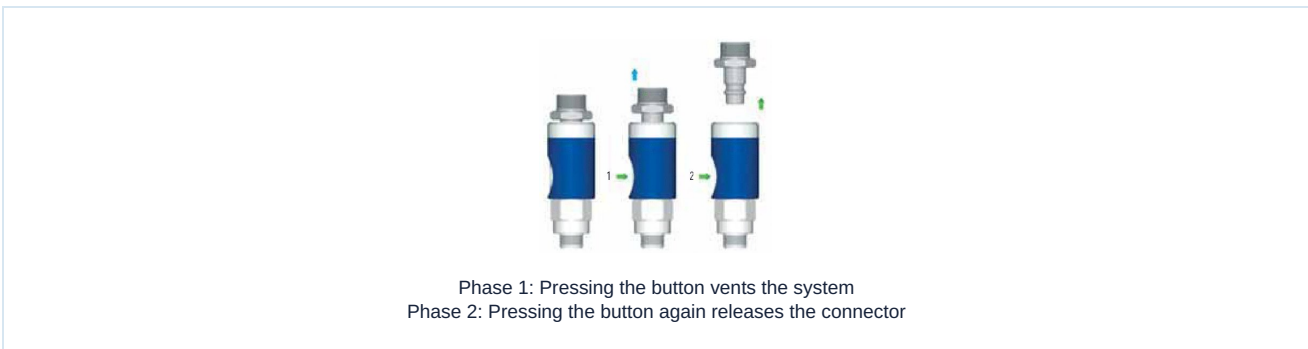


Safety coupling DN 7,4 mm Series C0C74



| | |
|--------------------------------------|---|
| Design type | Safety coupling, very easy to release, single shut-off, with European profile, complies with the requirements according to ISO 4414 |
| Recommended coupling plug connectors | DN 7,8 Nickel-plated steel with European profile |
| Nominal size | DN 7,4mm |
| Materials | Body anodized aluminium, Knob Hardened and zinc-plated steel, Threaded fitting Nickel-plated brass, Spring and ball Stainless steel, Seal NBR |
| Nominal flow rate | 1500NI/min at 6 bar ($\Delta p=1\text{bar}$) |
| Medium | Compressed air, neutral gases |
| Medium temperature | -20...+70°C |
| Operating pressure | 0...12bar |

Decoupling process



C0C74-M Coupling socket - Male thread cylindrical swivelable

| | | | | | | | |
|--|--------|----|-----|------|----|------------|--------------------|
| | D1 | D2 | L1 | L2 | CH | Weight [g] | Type |
| | G 1/4" | 26 | 6,5 | 70 | 21 | 148 | C0C74-M14-T-SS-360 |
| | G 3/8" | 26 | 7 | 70 | 21 | 147 | C0C74-M38-T-SS-360 |
| | G 1/2" | 26 | 8,5 | 72,5 | 25 | 155 | C0C74-M12-T-SS-360 |



C0C74-F Coupling socket - Female thread swivelable

| | D1 | D2 | L1 | L2 | CH | Weight [g] | Type |
|--------|----|----|----|------|----|------------|--------------------|
| G 1/4" | | 26 | 9 | 73,5 | 21 | 120 | C0C74-F14-T-SS-360 |
| G 3/8" | | 26 | 10 | 75,5 | 21 | 119 | C0C74-F38-T-SS-360 |
| G 1/2" | | 26 | 11 | 77,5 | 24 | 142 | C0C74-F12-T-SS-360 |

C0C74-H Coupling socket - Hose barb swivelable

| Hose inner diameter | D1 | D2 | L2 | CH | Weight [g] | Type |
|---------------------|----|----|------|----|------------|--------------------|
| 6 | 7 | 26 | 88,5 | 21 | 109 | C0C74-H06-T-SS-360 |
| 8 | 9 | 26 | 88,5 | 21 | 111 | C0C74-H08-T-SS-360 |
| 9 | 10 | 26 | 88,5 | 21 | 114 | C0C74-H09-T-SS-360 |
| 10 | 11 | 26 | 88,5 | 21 | 112 | C0C74-H10-T-SS-360 |
| 13 | 14 | 26 | 88,5 | 21 | 121 | C0C74-H13-T-SS-360 |

Illustrations non-binding

Design, dimensional and material changes reserved

Pneumatics / Fittings and couplings / Safety clutches / Multi-couplings / Couplings - Safety system DN 7,4 - Anodized aluminum/Nickel plated brass

