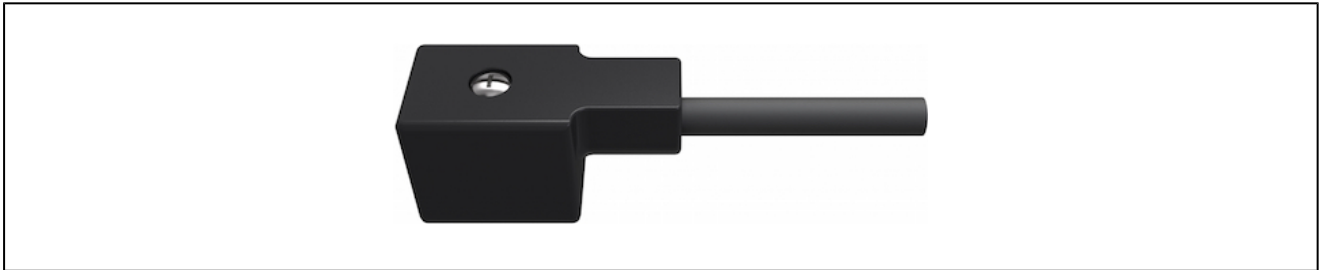
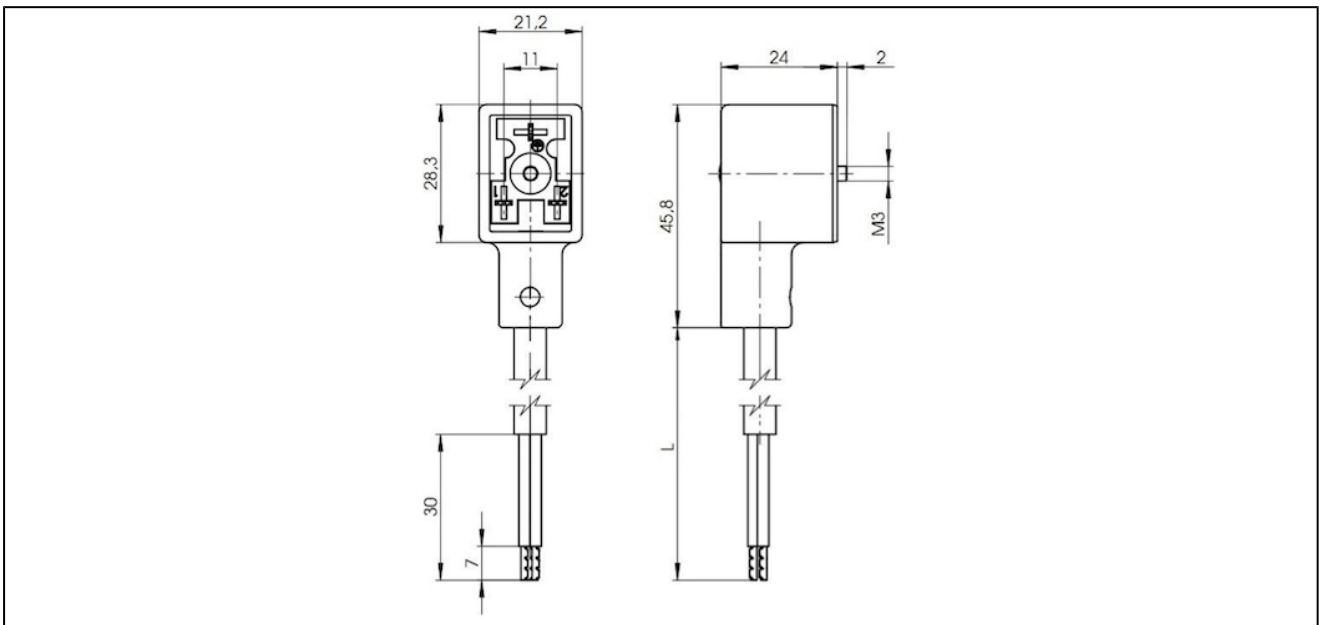


## connector



design	connector according to industry form B, connector size 22mm
material	contact support PA6, body polyurethane
cable	H05VVF black, PVC, length 2m, outside diameter 6,2mm, minimum bending radius 93mm, water resistant, limited oil resistant
conductor cross-section	0,75mm <sup>2</sup>
number of poles	2+PE
protection class	IP67 according to EN 60529
ambient temperature	-5...70°C
seal	integrated in the housing
scope of supply	incl. mounting screws
approval	RoHS

## dimensions



## circuit options

circuit diagram	description
	bipolar LED and VDR

description	voltage	operating current max.	type
connector with integrated LED-yellow and VDR	230VAC/DC	1,5A	C002-31-LVCV20-1
connector with integrated LED-yellow and VDR	24VAC/DC	1,5A	C002-31-LVCV20-2

illustrations are non-binding

all designs, configurations, measurements and materials are subject to change without prior notice