

butterfly valves with pneumatic actuator series BUW6, BULG/C



design	wafer respectively lug type butterfly valve with two-piece shaft, floating disc, power transmission by gear tooth system, shaft is protected against blow out by circlip
connection	flange according to EN1092
form of flange	wafer type: PN10/PN16/ANSI150 lug type DN40...DN150: PN10/PN16, DN200...DN300: PN10
length	according to EN558-1 line 20 (DIN3202-K1)
materials	actuator: hard-anodised aluminum, pinion nickel-plated steel, piston guide POM, seals NBR butterfly valve body ductile iron epoxy coated, disc zinc plated steel (DN50...DN100), ductile iron zinc plated (DN125...DN300) respectively stainless steel AISI 316, shaft stainless steel AISI 430 (not wetted)
liner	EPDM demountable, other liners see table "liner materials"
function	double acting or single acting design
type of fixing	installed into rigid pipework between two flanges according to EN1092, form 01,11, 32, 34
mounting position	any
control medium	filtered and lubricated or non lubricated compressed air
application	lubricating or not degreasing liquids or gaseous media, which do not affect the used materials, other media on request
medium temperature	see table "liner material"
ambient temperature	-20...+85°C
control pressure	5,5-8bar, adaption for lower control pressures on request
operating pressure	see table, also suitable for vacuum
special version	pinion made of stainless steel, ambient temperatures of -40... +85°C respectively -20...+150°C, diameter until DN500
accessories	mounted manual pneumatic or electric control valve electric end position signal, I/P or P/P positioner control of moving speed, built in declutchable gearbox for manual operation

order code

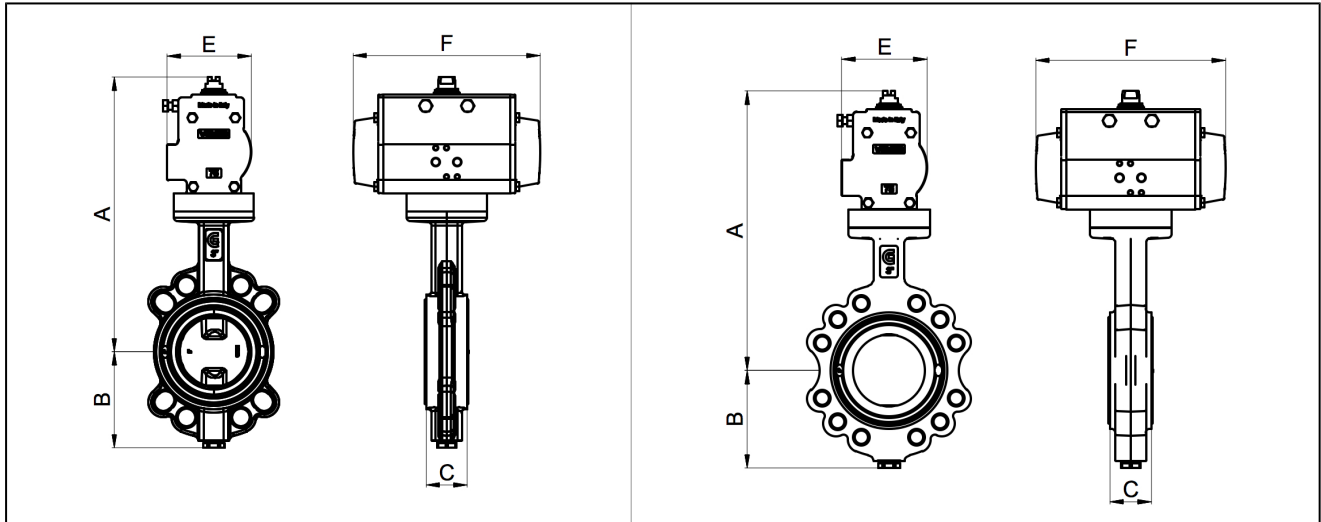
		BU	W	6	-050	-D	S	E	S	-D	3	1	-A
butterfly valve													
flanged type	lug		L										
	wafer		W										
operating pressure / flange mounting	6bar...PN10/16/A150			2									
	16bar...PN10/16/A150			6									
	10bar...PN10			C									
	16bar...PN10/16			G									
nominal diameter	40mm				040								
	50mm				050								
	65mm				065								
	80mm				080								
	100mm				100								
	125mm				125								
	150mm				150								
	200mm				200								
	250mm				250								
	300mm				300								
body	aluminum						A						
	aluminium-bronze						B						
	steel						C						
	ductile iron						D						
disc	aluminium-bronze							N					
	ductile iron zinc plated							P					
	stainless steel AISI 316							S					
	steel zinc plated							U					
liner	EPDM							E					
	hyalalone							H					
	NBR							N					
	silicone							S					
	FKM							V					
	EPDM food safe							W					
	EPDM HT							X					
shaft	stainless steel AISI 430 (blank position)												
	stainless steel AISI 316							S					
actuation	double acting actuator									D			
	single acting actuator									S			
control pressure / medium pressure	5,5bar / 16bar										1		
	5,5bar / 10bar										2		
medium	water											1	
	gases or other liquids												2
	degreasing medias												3
special versions	ATEX												A
	free of oil and grease												G
	silicone-free												S

liner material

material	medium temperature*	examples of use
EPDM	-10... +130°C	hot water, cold water, neutral gases and liquids
EPDM food safe	-10...+130°C	foods
EPDM HT	-10...+135°C	steam, hot water, cold water, neutral gases and liquids
FKM	-10...+200°C	petrol, diesel, oils
NBR	-10...+100°C	cold water, air, neutral gases and liquids

*lower medium temperatures on request
neoprene, silicone, hyalalone and natural rubber are available on request

dimensions



butterfly valve with double acting actuator, control pressure 5,5-8bar, liner EPDM

nominal diameter DN[mm]	max. operating pressure water [bar]	max. operating pressure other media [bar]**	A	B	C	E	F	type of actuator	kv value [m ³ /h]	type wafer	weight [app. kg]	type lug	weight [app. kg]
40	16	10	263	75	33	81	164	PAD063	116	BUW6-040-D.E-D..	4	BULG-040-D.E-D..	5
50	16	10	271	81	43	81	164	PAD063	116	BUW6-050-D.E-D..	4,6	BULG-050-D.E-D..	5,5
65	16	10	277	98	46	81	164	PAD063	257	BUW6-065-D.E-D..	5,5	BULG-065-D.E-D..	7,1
80	16	10	309	110	46	95	210	PAD075	508	BUW6-080-D.E-D..	6,9	BULG-080-D.E-D..	9
100	16	10	338	128	52	106	241	PAD085	925	BUW6-100-D.E-D..	10	BULG-100-D.E-D..	12,1
125	16	10	351	140	56	106	241	PAD085	1492	BUW6-125-D.E-D..	11,2	BULG-125-D.E-D..	13,7
150	16	10	380	155	56	123	275	PAD100	2168	BUW6-150-D.E-D..	14,7	BULG-150-D.E-D..	17,1
200	16 (10)*	10	465	190	60	148	372	PAD125	3838	BUW6-200-D.E-D..	24,9	BULC-200-D.E-D..	37,9
250	16 (10)*	10	517	220	68	164	435	PAD140	5010	BUW6-250-D.E-D..	38,7	BULC-250-D.E-D..	50,7
300	16 (10)*	10	571	247	78	186	500	PAD160	9233	BUW6-300-D.E-D..	53,9	BULC-300-D.E-D..	70,9

*pressure in bracket is valid for lug type execution

**lubricating or not degreasing liquids or gaseous media, which do not affect the used materials

butterfly valve with single acting actuator, control pressure 5,5-8bar, liner EPDM

nominal diameter DN[mm]	max. operating pressure water [bar]	max. operating pressure other media [bar]**	A	B	C	E	F	type of actuator	kv value [m ³ /h]	type wafer	weight [app. kg]	type lug	weight [app. kg]
40	16	10	295	75	33	106	241	PAS0855	116	BUW6-040-D.E-S..	7,1	BULG-040-D.E-S..	7,9
50	16	10	303	81	43	106	241	PAS0855	116	BUW6-050-D.E-S..	7,7	BULG-050-D.E-S..	8,6
65	16	10	309	98	46	106	241	PAS0855	257	BUW6-065-D.E-S..	8,6	BULG-065-D.E-S..	10,2
80	16	10	371	110	46	137	333	PAS1155	508	BUW6-080-D.E-S..	15,6	BULG-080-D.E-S..	17,7
100	16	10	386	128	52	137	333	PAS1155	925	BUW6-100-D.E-S..	17,6	BULG-100-D.E-S..	19,7
125	16	10	411	140	56	148	372	PAS1255	1492	BUW6-125-D.E-S..	21,4	BULG-125-D.E-S..	23,9
150	16	10	473	155	56	186	500	PAS1605	2168	BUW6-150-D.E-S..	38,7	BULG-150-D.E-S..	41,1
200	16 (10)*	10	568	190	60	217	579	PAS2005	3838	BUW6-200-D.E-S..	69,1	BULC-200-D.E-S..	82,1
250	16 (10)*	10	598	220	68	217	579	PAS2005	5010	BUW6-250-D.E-S..	77,1	BULC-250-D.E-S..	89,1
300	16 (10)*	10	675	247	78	249	690	PAS2305	9233	BUW6-300-D.E-S..	103,1	BULC-300-D.E-S..	120,1

*pressure in bracket is valid for lug type execution

**lubricating or not degreasing liquids or gaseous media, which do not affect the used materials

illustrations are non-binding

all designs, configurations, measurements and materials are subject to change without prior notice