

## Three-way brass ball valves Series 3500 and 3600



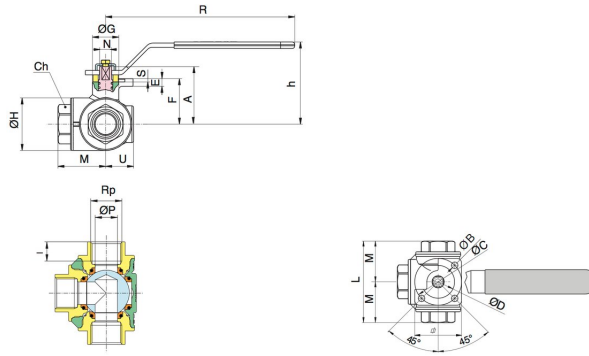
Design type	Shut-off valve with floating ball, full bore passage, Triple-shell sealing ball
Connection	RP1/4"…RP2" according to ISO7/1
Materials	Body brass CW617N nickel-plated, Ball, brass CW617N, hard chrome-plated, Ball seal PTFE, Spindle seal PTFE/FKM/EPDM, Hand lever steel galvanized with black PVC sheath
Mounting type	Installation in rigid piping system
Mounting position	any
Application range	Gases and liquids of group 2 in accordance with PED 2014/68/EU that do not attack the materials used.
Medium temperature	-20…+160°C
Operating pressure	0bar up to Rated pressure according to table for operating temperatures up to 80°C. Permissible operating pressure for higher temperatures see pressure-temperature diagram, not suitable for vacuum.
Actuation	by 90° rotation of the hand lever

### Circuit diagram

3500				3600		
Switching type 01	Switching type 02	Switching type 03	Switching type 04	Switching type 05	Switching type 06	Switching type 07
Position 1						
Position 2						
The handles can each be repositioned by 90°. After removing the central fixing screws, the notch on the top of the spindle becomes visible; it indicates the ball position and also allows the valve type to be identified.						

### Dimensions



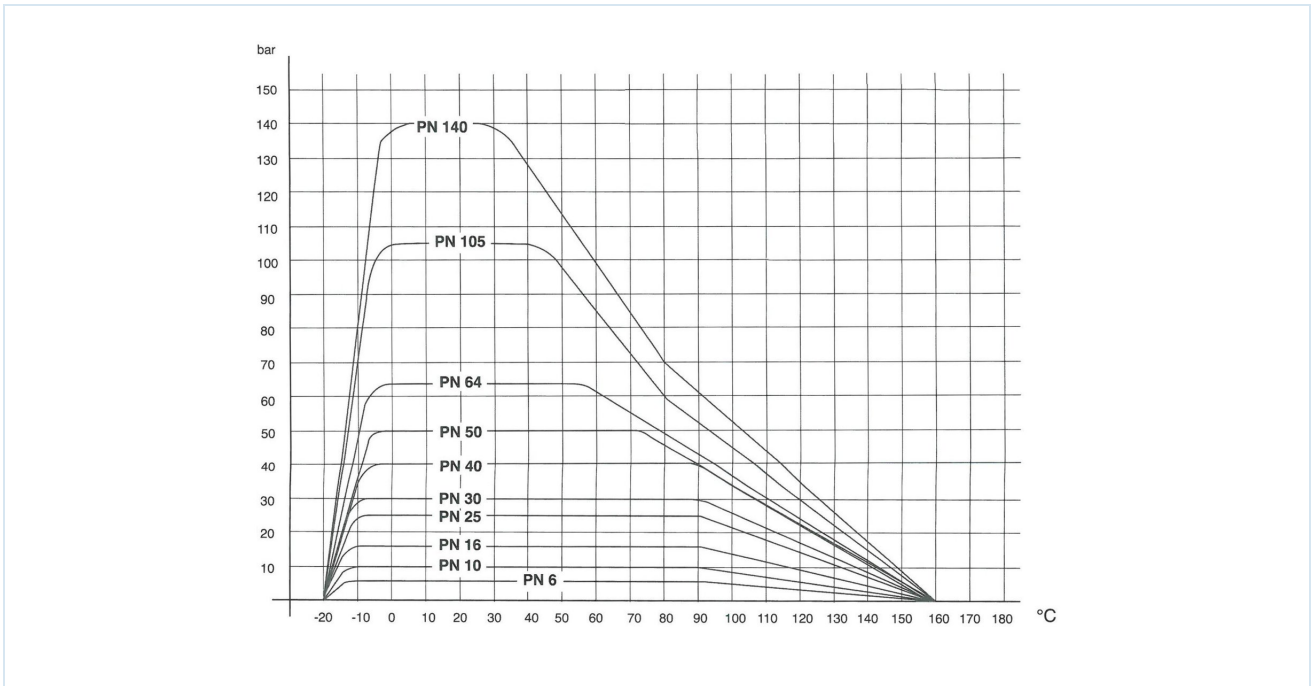


Connection	A	B	C	Ch	D	E	F	G	H	h	I	L	M	N	P	R	S	U	*
RP1/4"	39,5	6	36 F03	22	25	5	30,5	22	34	62	11	67	33,5	9	11	120	2	19,5	38
RP3/8"	39,5	6	36 F03	22	25	5	30,5	22	34	62	11,4	67	33,5	9	11	120	2	19,5	38
RP1/2"	41,5	6	36 F03	27	25	5	32,5	22	39	64	15	77	38,5	9	14	120	2	22	38
RP3/4"	42,5	7	50 F05	32	35	7	41,5	24	48	75	16,3	87	43,5	11	19	170	3	24,5	50
RP1"	58	7	50 F05	41	35	7	47	24	60	80,5	19,1	105	52,5	11	24,2	170	3	30	50
RP11/4"	70,5	7	50 F05	50	35	7	59,5	32	72	93	21,4	122,5	61,2	11	30	170	3	38	50
RP11/2"	89	9	70 F07	55	55	8	74	37	86	111	21,4	138,5	69,2	14	38	230	3	44,5	70
RP2"	100	9	70 F07	70	55	8	85	37	111	122	25,7	166	83	14	49,5	230	3	56	70

Nominal size DN[mm]	PN [bar]	Kv value [m <sup>3</sup> /h]	Weight [approx. kg]	Type L-bore	Type T-port hole
8	30	2,8	0,55	3600-1/4"	3500-1/4"
10	30	3	0,52	3600-3/8"	3500-3/8"
15	30	3,9	0,65	3600-1/2"	3500-1/2"
20	30	7,9	1,10	3600-3/4"	3500-3/4"
25	16	13	1,83	3600-1"	3500-1"
32	10	20,7	2,75	3600-11/4"	3500-11/4"
40	10	38,7	4,57	3600-11/2"	3500-11/2"
50	10	54	8,37	3600-2"	3500-2"



## Pressure-temperature diagram



Illustrations non-binding

Design, dimensional and material changes reserved

Armatures / Ball valves - manually operated / Ball valves - brass / Ball valve made of brass Series 3600, 3500

Version 6

137925 / Generated 2026/23 EN

MADE IN EUROPE

+43 512 52076

austria@stasto.eu

© STASTO Automation KG

[www.stasto.com](http://www.stasto.com)

Open series online

Page 3 / 3

