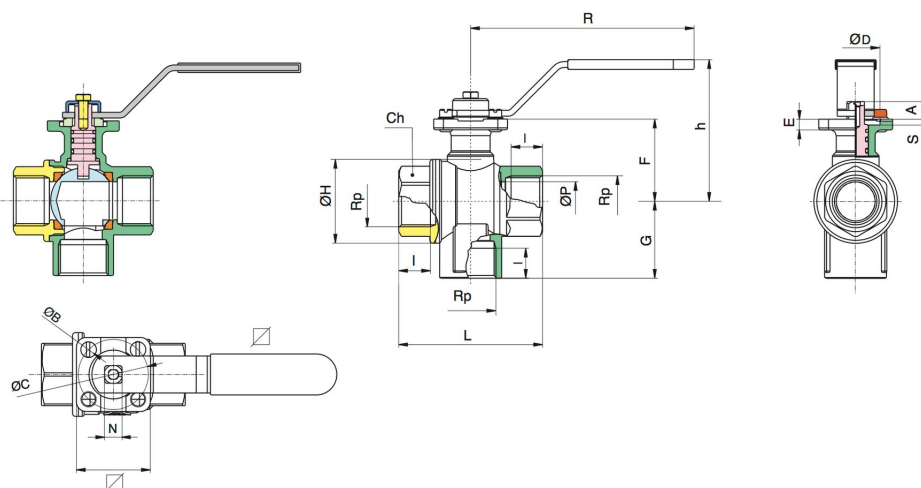


## Three-way brass ball valves Series 3210N



Design type	Shut-off valve with floating ball, full bore passage, RP1/4" ... RP2" with mounting flange ISO 5211 for rotary actuator, RP3" without mounting flange
Connection	RP1/4" ... RP3" according to ISO7/1
Materials	Body brass CW617N nickel-plated, Ball, brass CW617N, hard chrome-plated, Ball seal PTFE, Spindle seal PTFE/FKM/EPDM, Hand lever steel galvanized with black PVC sheath
Mounting type	Installation in rigid piping system
Mounting position	any
Application range	Gases and liquids of group 2 in accordance with PED 2014/68/EU that do not attack the materials used.
Medium temperature	-15...+120°C
Operating pressure	Nominal pressure according to table and pressure-temperature diagram
Actuation	by 90° or 180° rotation of the hand lever

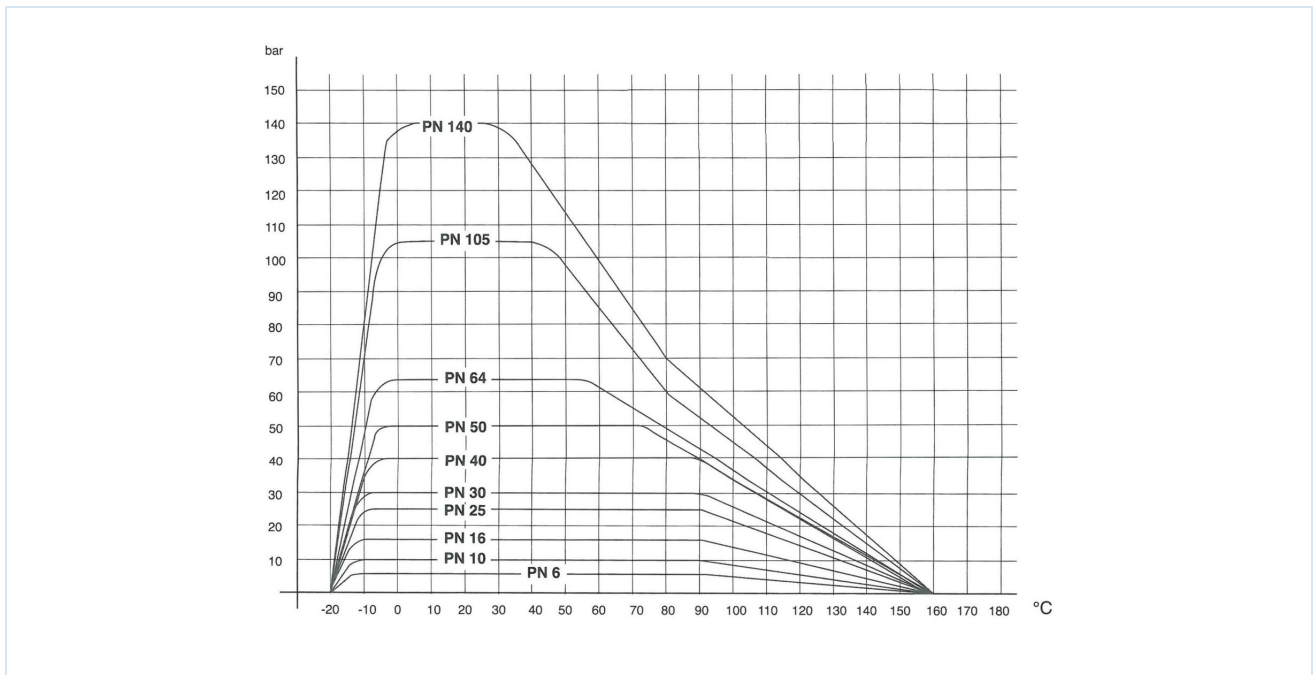


Connection	A	B	C	Ch	D	E	F	G	H	h	I	L	N	P	R	S	T
RP1/4"	9	M7	36	22	25	5,5	28,5	26	28	60	11	52	9	10	115	2	38
RP3/8"	9	M7	36	22	25	5,5	28,5	26	28	60	11,4	52	9	10	115	2	38
RP1/2"	9	M7	36	27	25	5,5	31	33,5	34,5	62	15	64	9	15	115	2	38
RP3/4"	9	M7	36	32	25	5,5	42	39,5	43	73	16,3	74	9	20	115	3	38
RP1"	9	M7	36	41	25	6	45	47	53	76	19,1	89	9	25	115	3	38
RP11/4"	9	M7	36	50	25	6	49	54,5	63	79,5	21,4	100	9	32	115	3	38
RP11/2"	11	7	50	55	35	8	61,5	61,5	77	95	21,4	110	11	40	170	3	50
RP2"	11	7	50	70	35	8	67	73	93	101	25,7	130	11	50	170	3	50
RP3"	-	-	-	105	-	-	-	106	148	152	33,3	197	20	80	260	-	-

Nominal size DN[mm]	PN [bar]	Kv value [m <sup>3</sup> /h]	Weight [approx. kg]	Type
8	25	2,25	0,34	3210N-1/4"
10	25	2,7	0,31	3210N-3/8"
15	25	6	0,44	3210N-1/2"
20	16	11,5	0,61	3210N-3/4"
25	16	18,3	0,92	3210N-1"
32	10	27,2	1,28	3210N-11/4"
40	10	47,3	2,00	3210N-11/2"
50	10	73	3,17	3210N-2"
80	6	177,5	9,50	3210-3"

Since in this valve the ball is sealed only by two sealing shells, only the lower port may be used as the inlet if the valve is to be leak-tight over the entire pressure range.. Switching is effected by a 180° lever movement. After a 90° lever movement, all three ports are blocked (non-overlapping).

#### Pressure-temperature diagram



Illustrations non-binding

Design, dimensional and material changes reserved

Armatures / Ball valves - manually operated / Ball valves - brass / Ball valve made of brass Series 3210N

Version 5

137926 / Generated 2026/23 EN

MADE IN EUROPE

+43 512 52076

austria@stasto.eu

© STASTO Automation KG

www.stasto.com

Open series online

Page 2 / 2

