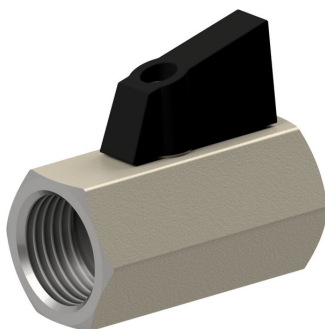
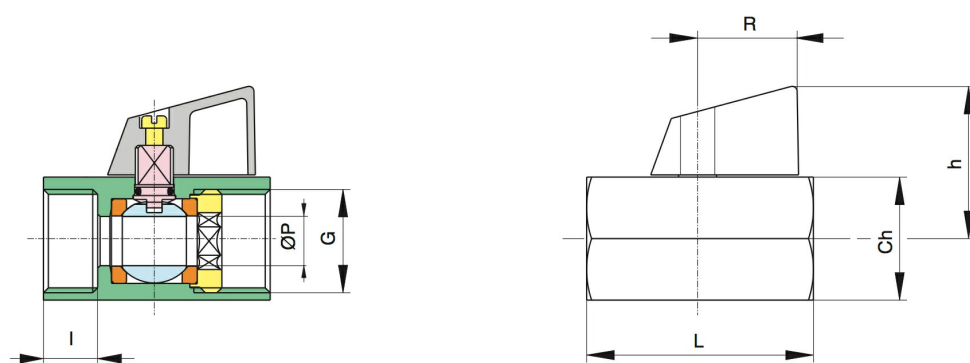


Brass ball valves Series 3830



Design type	Shut-off valve with floating ball; Miniature version
Connection	G1/8"...G1/2" according to ISO228/1
Materials	Body brass CW617N chrome-plated, Ball, brass CW617N, hard chrome-plated, Ball seal PTFE, Spindle seal NBR, Rotary knob polyamide
Mounting type	Installation in rigid piping system
Mounting position	any
Application range	Gases and liquids of group 2 in accordance with PED 2014/68/EU that do not attack the materials used.
Medium temperature	-20...+90°C
Operating pressure	Nominal pressure according to table
Actuation	by 90° rotation of the hand lever



Connection	Nominal size DN[mm]	PN [bar]	Ch	h	I	L	R	P	Kv value [m³/h]	Weight [approx. kg]	Type
G1/8"	6	10	21	29	8	41	20,5	8	4,3	0,11	3830-1/8"
G1/4"	8	10	21	29	10	41	20,5	8	4,3	0,10	3830-1/4"
G3/8"	10	10	21	29	10	41	20,5	8	2,7	0,08	3830-3/8"
G1/2"	15	10	25	31	11	46	20,5	10	5,4	0,13	3830-1/2"

Illustrations non-binding

Version 5

137931 / Generated 2026/23 EN

MADE IN EUROPE

+43 512 52076

austria@stasto.eu

© STASTO Automation KG

www.stasto.com

Open series online

Page 1 / 2



