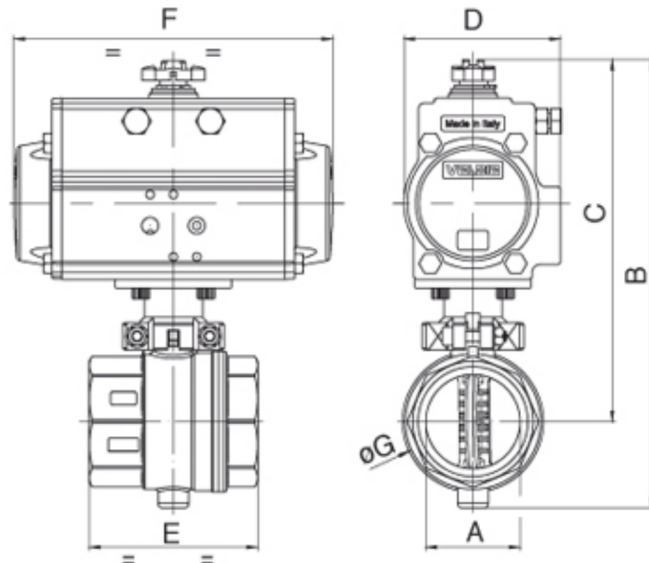


butterfly valve with pneumatic actuator series BU900



Brass butterfly valve full port threaded F/F, with actuator.

actuator air supply pressure minimum 6 bar



VALVE WITH DOUBLE ACTING ACTUATOR

| | | | | | | | | |
|--------|-------|-------|-------|-------|-------|-------|-------|-------|
| PN | 16 | 16 | 16 | 16 | 16 | 16 | 16 | 16 |
| DN - A | 1/2" | 3/4" | 1" | 1"1/4 | 1"1/2 | 2" | 2"1/2 | 3" |
| B | 144 | 151 | 158 | 201 | 213 | 240 | 276 | 317 |
| C | 124 | 128 | 131 | 167 | 172 | 192 | 213 | 242 |
| D | 45 | 45 | 45 | 71 | 71 | 81 | 81 | 95 |
| E | 49 | 56 | 64 | 76 | 82 | 93 | 112 | 130 |
| F | 110 | 110 | 110 | 141 | 141 | 164 | 164 | 210 |
| ØG | 31 | 38 | 46 | 56 | 66 | 78 | 102 | 122 |
| ACT. | DA 32 | DA 32 | DA 32 | DA52 | DA 52 | DA 63 | DA 63 | DA 75 |
| RI | 3752 | 3752 | 3752 | 3825 | 3825 | 3208 | 3835 | 3826 |

VALVE WITH SPRING RETURN ACTUATOR

| | | | | | | | | |
|--------|-------|-------|-------|-------|-------|-------|-------|-------|
| PN | 16 | 16 | 16 | 16 | 16 | 16 | 16 | 16 |
| DN - A | 1/2" | 3/4" | 1" | 1"1/4 | 1"1/2 | 2" | 2"1/2 | 3" |
| B | 181 | 189 | 195 | 212 | 242 | 258 | 308 | 331 |
| C | 161 | 165 | 168 | 178 | 201 | 210 | 245 | 256 |
| D | 71 | 71 | 71 | 81 | 95 | 95 | 106 | 106 |
| E | 49 | 56 | 64 | 76 | 82 | 93 | 112 | 130 |
| F | 141 | 141 | 141 | 164 | 210 | 210 | 241 | 241 |
| ØG | 31 | 38 | 46 | 56 | 66 | 78 | 102 | 122 |
| ACT. | SR 52 | SR 52 | SR 52 | SR 63 | SR 75 | SR 75 | SR 85 | SR 85 |
| RI | 3827 | 3827 | 3827 | 3828 | 3833 | 3834 | 3826 | 3826 |

Abbildungen unverbindlich, Konstruktions-, Maß- und Werkstoffänderungen vorbehalten
illustrations are non-binding, all designs, configurations, measurements and materials are subject to change without prior notice