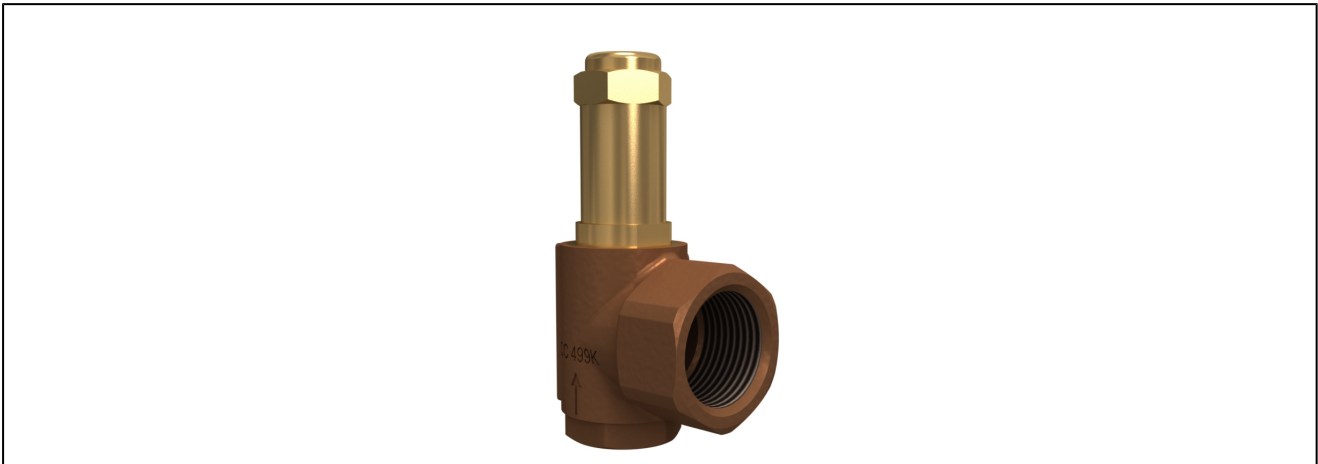


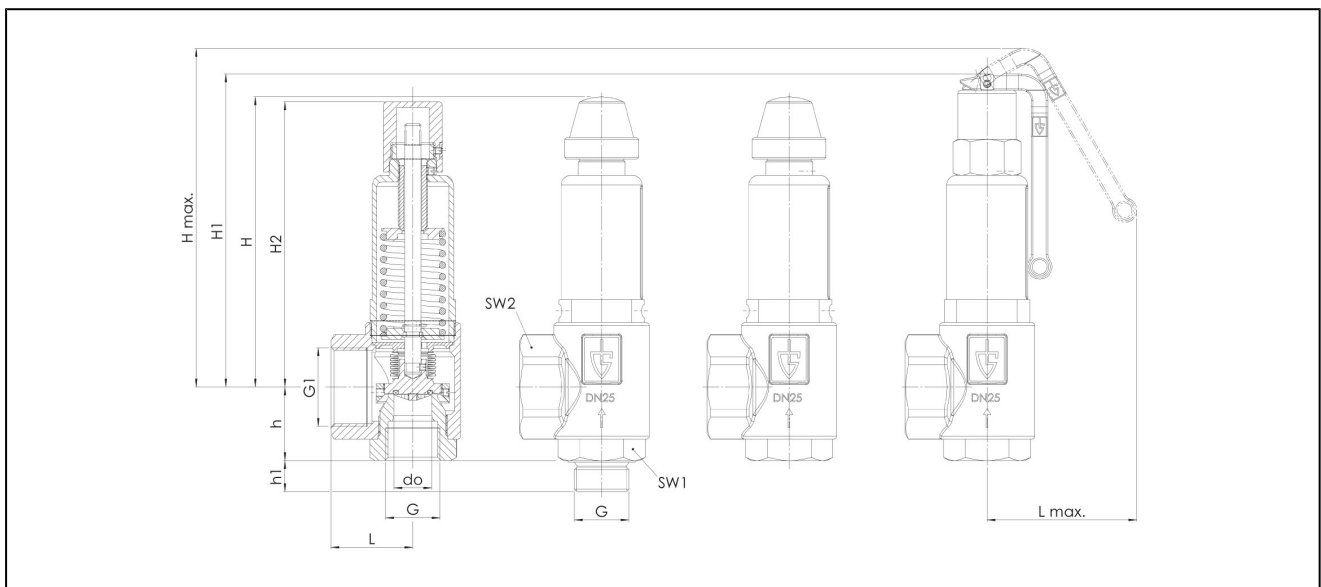
**safety valve, full stroke made of bronze, with TÜV inspection number series SF13**



design	spring-loaded fully stroke safety valves with gas-proof cover, without lifting this types are not back pressure compensated - occurring back pressure during the blow process does affect to the set pressure. the set pressure is protected against adjustments through a seal cap.
connection	female thread G1/2"...G2"
materials	valve body bronze, inner parts brass, spring stainless steel AISI 301
medium temperature	see table
range of adjustment	see table
type of fixing	installed into rigid pipework
mounting position	vertical only
application	see table
order information	specify set pressure by order
special versions	set pressure 25,1...50bar, inlet with male thread, valve in ATEX

**table:**

range of adjustment	seal	application	medium temperature [°C]	type
0,5 - 25	metallic	flammable and toxic gases and steam, flammable and toxic liquids	-60...+225	SF13
0,5 - 25	PTFE	flammable and toxic gases and steam, flammable and toxic liquids	-60...+225	SF13-...T



G	G1	L	Lmax.	H	H1	H2	Hmax.	h	h1	SW1	SW2	d <sub>0</sub>	weight [app. kg]	type
G1/2"	G1/2"	34	65	79	93	79	105	28	15	30	-	15,8	0,4	SF13-12-15.8-XX
G1/2"	G1"	40	65	77	91	77	103	30	15	30	40	15,8	0,4	SF13-12W-15.8-XX
G3/4"	G3/4"	42	91	137	154	138	169	31	16	36	32	15,8	1,0	SF13-34-15.8-XX
G3/4"	G1 1/4"	43	91	138	158	139	173	39	16	36	50	18	1,0	SF13-34W-18-XX
G1"	G1 1/2"	50	92	178	192	175	207	45	18	46	58	23	1,8	SF13-10W-23-XX
G1 1/4"	G2"	61	92	241	264	241	277	55	20	55	70	30,3	4,0	SF13-114W-30-XX
G1 1/2"	G2"	61	92	241	264	241	277	69	23	55	70	30,3	4,0	SF13-112W1-30-XX
G2"	G2"	61	92	241	264	241	277	74	25	70	70	30,3	4,0	SF13-20W-18-XX

XX - set pressure

### discharge capacity at 10% overpressure for Typ SF13 air [Nm<sup>3</sup>/h]

size	set pressure [bar]															
	0,5	1	2	4	6	8	10	12	14	16	18	20	22	24	25	
G1/2"	56	87	141	238	335	431	528	625	722	819	916	1013	1109	1206	1255	
G3/4"- d <sub>0</sub> 15,8	64	120	205	375	527	680	833	985	1138	1290	1443	1596	1748	1901	1977	
G3/4"- d <sub>0</sub> 18	127	189	316	561	790	1018	1247	1475	1704	1932	2161	2390	2618	2847	2961	
G1"	199	291	489	855	1203	1552	1900	2248	2596	2945	3293	3641	3990	4338	4512	
G1 1/4"...G2"	353	515	832	1484	2088	2693	3297	3902	4506	5111	5715	6320	5111	57515	6320	

### discharge capacity at 10% overpressure for Typ SF13 steam [kg/h]

size	set pressure [bar]															
	0,5	1	2	4	6	8	10	12	14	16	18	20	22	24	25	
G1/2"	42	69	111	184	257	329	401	472	544	616	686	757	829	900	936	
G3/4"- d <sub>0</sub> 15,8	48	96	161	291	406	519	632	744	857	970	1081	1193	1306	1419	1475	
G3/4"-d <sub>0</sub> 18	96	151	249	435	608	777	947	1115	1284	1453	1619	1787	1956	2125	2209	
G1"	150	232	385	663	926	1184	1443	1699	1957	2214	2467	2723	2981	3238	3366	
G1 1/4"...G2"	266	411	656	1151	1607	2056	2504	2948	3396	3842	4281	4726	5173	5619	5842	

### discharge capacity at 10% overpressure for Typ SF13 water [m<sup>3</sup>/h]

size	set pressure [bar]															
	0,5	1	2	4	6	8	10	12	14	16	18	20	22	24	25	
G1/2"	2,3	3,1	4,4	6,3	7,7	8,9	9,9	10,9	11,8	12,6	13,3	14	14,7	15,4	15,7	
G3/4"- d <sub>0</sub> 15,8	2,9	4,0	5,6	8	9,7	11,3	12,6	13,8	14,9	15,9	16,9	17,8	18,7	19,5	19,9	
G3/4"-d <sub>0</sub> 18	5,4	7,3	10,4	14,7	18	20,8	23,2	25,4	27,5	29,4	31,1	32,8	34,4	35,9	36,7	
G1"	8,8	12	16,9	24	29,3	33,9	37,9	41,5	44,8	47,9	50,8	53,6	56,2	58,7	59,9	
G1 1/4"	15,4	20,8	29,4	41,6	50,9	58,8	65,8	72	77,8	83,2	88,2	93	97,5	101,9	104	

illustrations are non-binding  
all designs, configurations, measurements and materials are subject to change without prior notice