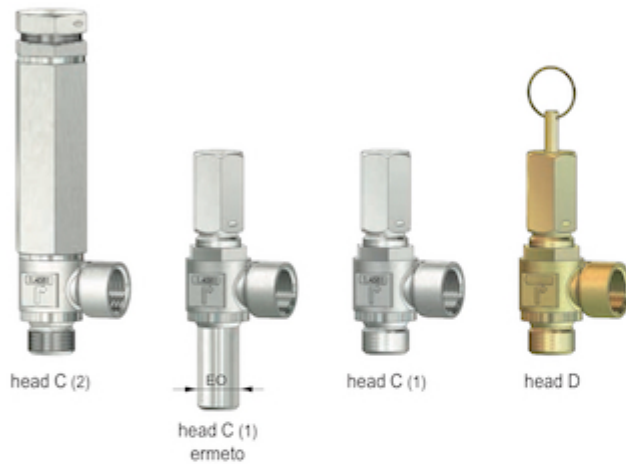
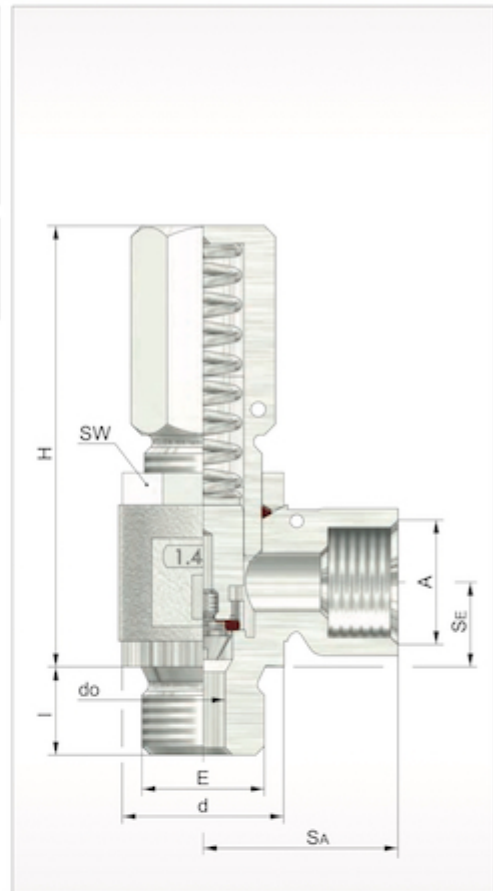


relief valve series RV13, RV14

Standard version:		Temperature ranges
Material:	Inlet body / Spring bonnet	soft seated
Typ 5.2:	1.4581 / 1.4571	-40°C to 130°C
Typ 5.3:	2.0401 / 2.0401	-10°C to 130°C
Connections:		only elastomers
Screwed connection: DIN ISO 228 / ASME B1.20.1 / Ermeto		see techn. appendix: KWD-1
Approvals:		
Pressure Equipment Directive: 97/23/EG		
Declaration of Conformity		

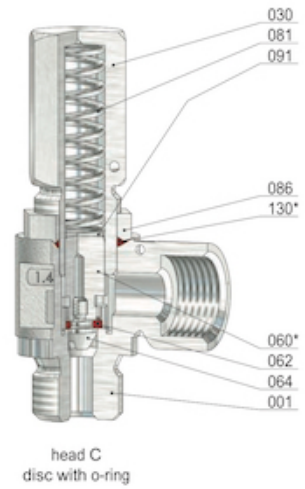
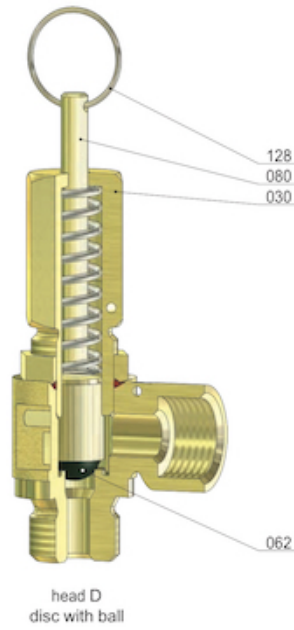


Type	Inlet					Outlet			Dimensions			Height 'H' for head			Set pressure		Weight				
	E	SE	d	l (G)	l (NPT)	EO Ø	A	SA	t (G)	SW	do	seat Ø	C (1)	C (2)	D	p min.		p max.			
	[mm]	[mm]	[mm]	[mm]	[mm]	[mm]	[mm]	[mm]	[mm]	[mm]	[mm]	[mm]	[mm]	[mm]	[mm]	[bar(g)]	[bar(g)]	~ [kg]			
5.2	1/4	11,5	18	12	17	3/8	26	9,5	22	6	6	6	55	72	72	0,4	65	0,15			
	3/8		22	12	17																
	EO		22	26	26														12		
	1/4		18	12	17																
	3/8		22	12	17								110	120	200	0,20					
	EO		22	26	26												12				
	1/4		18	12	17																
	3/8		22	12	17																
EO	22	26	26	12																	
5.3	1/4	11,5	18	12	17	3/8	26	9,5	22	6	6	6	55	72	72		0,4	65	0,15		
	3/8		22																	12	17
	EO		22																	26	26

other design on request

Discharge capacities

Size				
do [mm]	6			
Fluid	Water 20°C [kg/h]	Steam [kg/h]	Air 0°C [m ³ /h]	Carbondioxide 0°C [m ³ /h]
pe [bar(g)]				
0,4	9,1	0,21	0,26	0,21
0,5	10,1	0,24	0,29	0,23
0,6	11,1	0,26	0,32	0,26
0,8	12,8	0,30	0,38	0,30
1,0	14,4	0,34	0,43	0,35
1,5	17,6	0,45	0,58	0,46
2,0	20,3	0,57	0,73	0,58
2,5	22,7	0,70	0,90	0,72
3,0	24,9	0,84	1,08	0,87
3,5	26,9	0,94	1,22	0,98
4,0	28,7	1,04	1,35	1,09
4,5	30,5	1,14	1,49	1,20
5,0	32,1	1,24	1,62	1,31
6,0	35,2		1,89	1,53
7,0	38,0		2,16	1,76
8,0	40,7		2,44	1,98
9,0	43,1		2,71	2,21
10,0	45,5		2,98	2,44
15,0	55,7		4,34	3,62
20,0	64,3		5,70	4,87
25,0	71,9		7,06	
30,0	78,7		8,42	
35,0	85,1		9,79	
40,0	90,9		11,1	
45,0	96,4		12,5	
50,0	101		13,9	
60,0	111		16,6	
70,0	120		19,4	
80,0	128		22,1	
90,0	136		24,9	
100,0	144		27,6	
110,0	151		30,3	
120,0	157		33,0	
130,0	164		35,7	
140,0	170		38,3	
150,0	176		41,0	
160,0	182		43,6	
170,0	187		46,2	
180,0	193		48,8	
190,0	198		51,4	
200,0	203		53,9	



Item	Piece	Description	Item	Piece	Description
001	1	inlet body	128	1	lifting ring
030	1	spring bonnet	130 *	1	o-ring
060 *	1	disc, complete	131 *	1	o-ring
062	1	soft sealing (o-ring) / (ball)			
064	1	disc screw			
080	1	spindle			
081	1	spring			
085	1	adjusting screw			
086	1	lock nut			
091	1	pressure piece			

* expendable parts

illustrations are for information only and are non-binding
all designs, configurations, measurements and materials are subject to change without prior notice