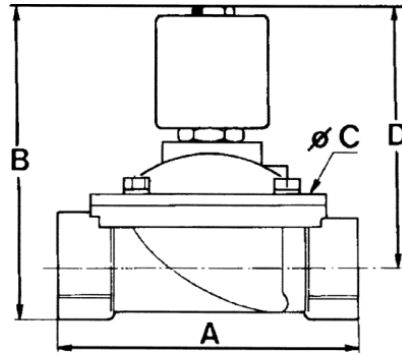


## 2/2 - way solenoid valve - combined operated series VSO



design	2/2-way solenoid valve with diaphragm, combined operated, normally closed
connection	G1 1/4" ... G2" according to ISO228/1
materials	body brass, inner parts brass and stainless steel similar to AISI 430F, diaphragm material NBR (Perbunan)
type of fixing	installed into rigid pipework
mounting position	only with electric parts standing up
application	gaseous and liquid fluids which do not affect the used materials
viscosity	max. 12 mm <sup>2</sup> /s (cst) respectively 2°E
switching time	depending on operating pressure and media
operating cycles	maximum 20 operations/day
medium temperature	-10...+90°C
ambient temperature	-20...+40°C
scope of supply	with connector acc. to EN175301-803-form A (previous DIN43650)-cable inlet M16x1,5
electrical data	
type of current	AC and DC
standard voltage	230V/50Hz, 24V/50Hz, 24VDC
special voltage	12...400V/50Hz or 60Hz, 12...220VDC
acceptable voltage tolerance	± 10%
power consumption	AC 140VA, direct current 43W(at operating temperature)
duty cycle	100% duty cycle (continuous operation)
protection class	IP65 according to EN 60529 for a correctly mounted connector (protection against the penetration of dust and jet water)
direction for use	please specify voltage and type of current by order. we always recommend connecting a strainer in front of the valve, otherwise malfunction can occur in the event of contaminated medium. these valves can also be used for rough vacuum.



connection G	nominal diameter DN[mm]	pressure range [bar] AC	pressure range [bar] DC	A	B	C	D	kv value [m <sup>3</sup> /h water]	weight [approx. kg]	type
G 1 1/4"	36	0-4	0-2	146	200	128	170	17,5	5,2	VSO-8417
G 1 1/2"	39	0-4	0-2	146	200	128	170	19	5,0	VSO-8418
G 2"	51	0-4	0-2	174	216	146	180	32,4	6,5	VSO-8419

illustrations are non-binding  
all designs, configurations, measurements and materials are subject to change without prior notice