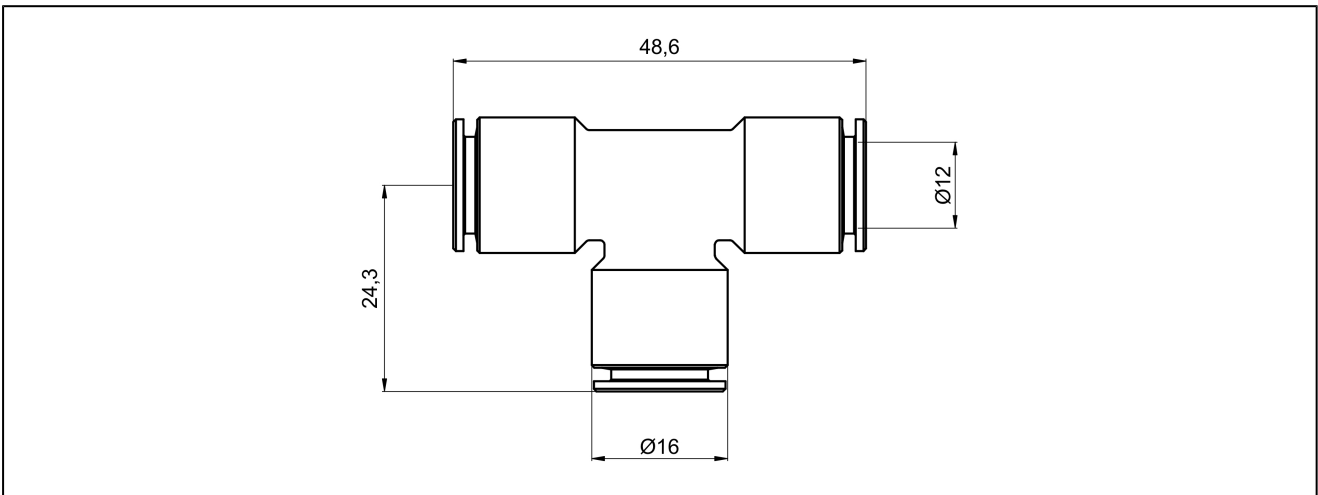


straight female fitting "Push-In" - nickel plated brass
PI29-12-N-PS01



design	Push-in fitting with o-ring and gripper for connecting plastic hoses
outside tube diameter	12mm
materials	body nickel plated brass, gripping collet stainless steel AISI 301, holding ring and protection ring POM, o-ring EPDM with KTW- and W270-approval
suggested piping materials	polyamide (PA), polyurethane (CP/PU), polyethylene (PE), PTFE (PT)
pipe tolerances	+/- 0,1mm
medium	compressed air, neutral gases, water
medium temperature	-20...70°C
operating pressure	-0,99...18bar, depending on the maximum pressure of the piping used



illustrations are non-binding
 all designs, configurations, measurements and materials are subject to change without prior notice