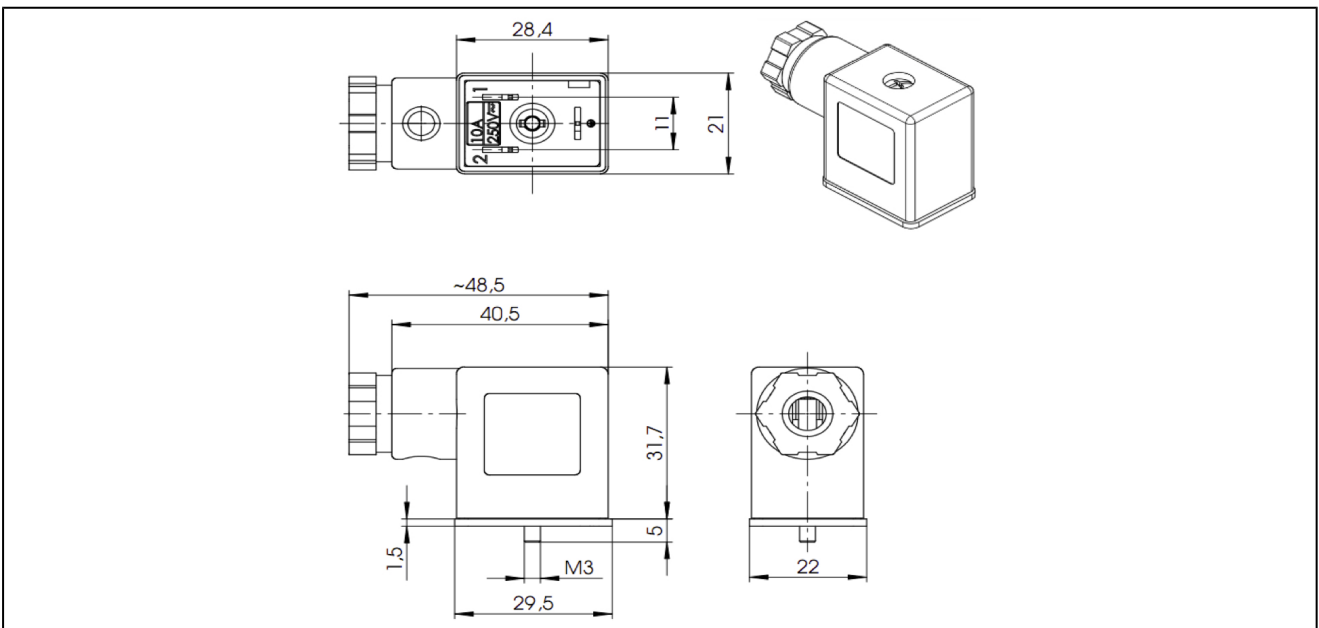


connector

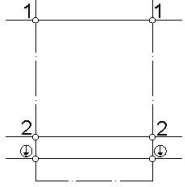
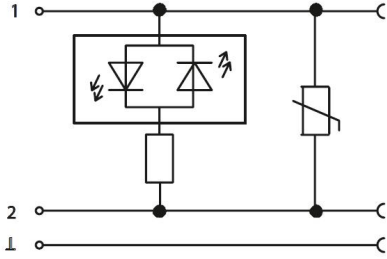


design	connector according to industry form B, connector size 22mm
ambient temperature	-25...+90°C
cable gland	M16x1,5, cable diameter 6...8mm
cable cross section connectable	0,5...1,5mm ²
protection class	IP65 according to EN 60529
scope of supply	incl. mounting screw and seal NBR

dimensions



circuit options

circuit diagramm	description
	without circuit
	bipolar LED and varistor

description	voltage	operating current max.	type
connector	0...250VAC/DC	10A	C002-31-6
connector with varistor and bipolar yellow LED	230VAC/DC	1,5A	C002-31-LV-1
connector with varistor and bipolar yellow LED	24VAC/DC	1,5A	C002-31-LV-2

illustrations are non-binding

all designs, configurations, measurements and materials are subject to change without prior notice