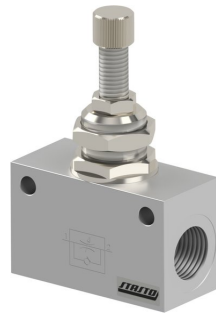
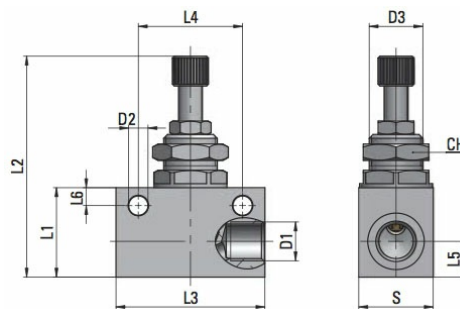


Throttle check valve with shut-off function Series MV21U



Design type	Needle valve, Block design
Function	Flow control in one direction, free flow in the opposite direction, Actuation with knurled screw and locking by the hex nut
Connections	M5 after ISO R/262, G1/8"...G1/2" after ISO228/1
Material	Body Anodized aluminium, Throttle valve Nickel-plated brass, Seals NBR
Medium	Compressed air, neutral gases
Medium temperature	-20...+70°C
Operating pressure	0...10bar
Mounting type	Installation in piping system, Panel mounting or Wall mounting via drilled holes in the valve body
Mounting position	any

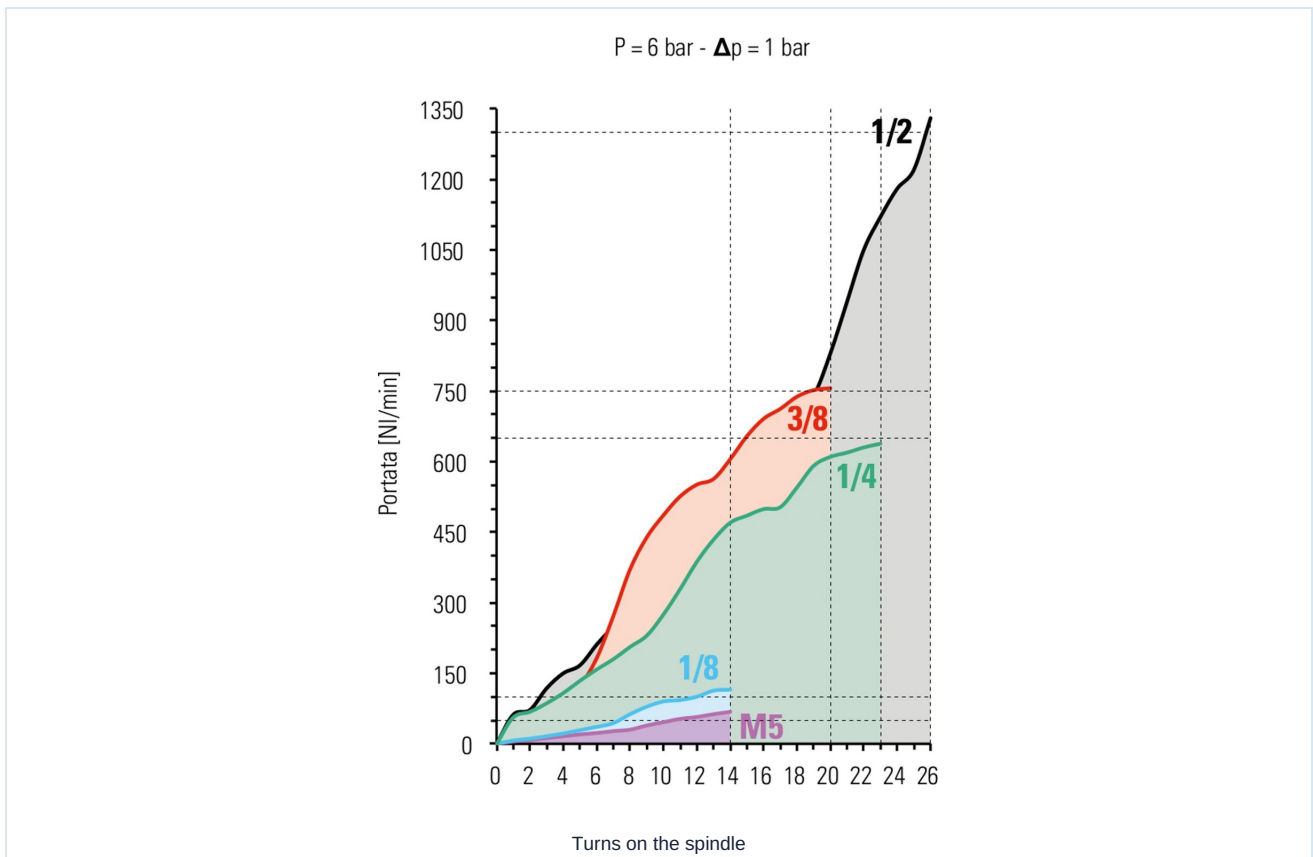
Dimensions



D1	D2	D3	L1	L2max.	L3	L4	L5	L6	S	CH	Weight [g]	Type
M5	3,2	M9x0,75	15	37	25	18	7	3	12	11	19	MV21-00-M5-U
G1/8"	4,5	M12x0,75	21	56	34	24	8	4,5	16	15	50	MV21-00-18-U
G1/4"	6,5	M18x1,5	30	75	50	35	12	6	25	22	162	MV21-00-14-U
G3/8"	6,5	M18x1,5	30	75	58	40	12	5	25	22	169	MV21-00-38-U
G1/2"	6,5	M22x1,5	40	92	65	50	17	7	30	26	299	MV21-00-12-U



Flow diagram



Illustrations non-binding
Design, dimensional and material changes reserved

Pneumatics / Flow control valves / Unidirectional flow control valves / Unidirectional flow control valve Series MV21-U

