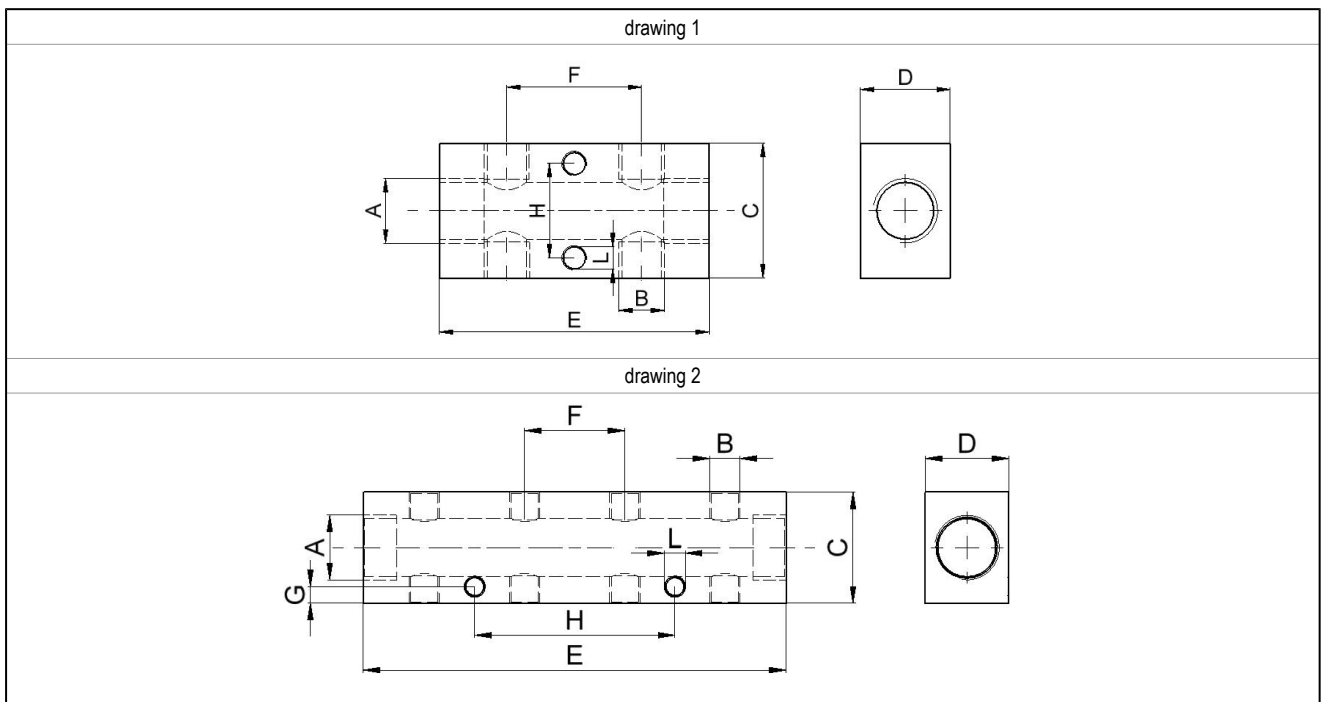


## distributor G1/4" and G1/2" series KP



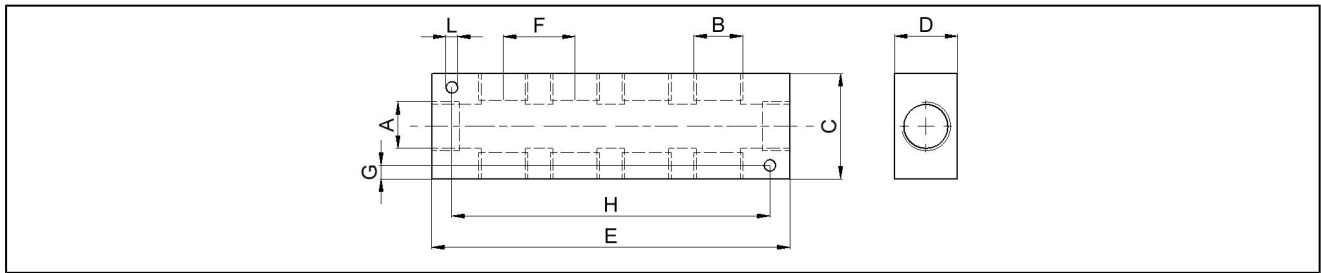
design	distributor
connection	G1/4" and G1/2"
materials	aluminum anodized
medium temperature	-50°C...100°C
pressure range	vacuum to 16bar
type of fixing	installation in a pipe system or by mounting holes
design	single- or double-sided outlets
number of outlets	2...12

### distributor with double-sided outlets



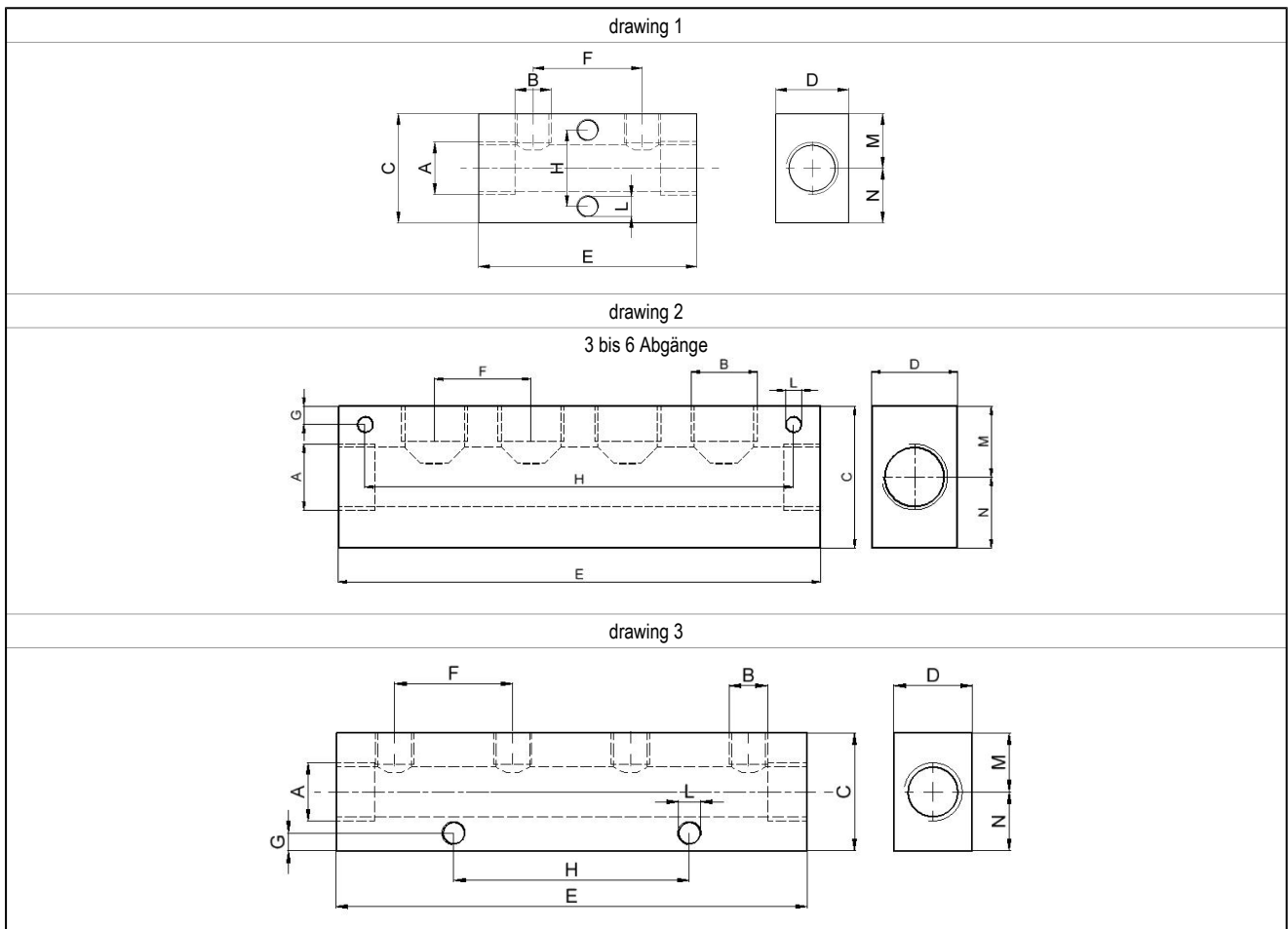
connection A	outlets B	C	D	E	F	G	H	L	number of outlets	drawing	type
G1/4"	G1/8"	30	20	60	30	4,5	21	5,5	4	1	KP-3020-4D-N
G1/4"	G1/8"	30	20	120	30	4,5	60	5,5	8	2	KP-3020-8D-N
G1/4"	G1/8"	30	20	180	30	4,5	120	5,5	12	2	KP-3020-12D-N
G1/2"	G1/4"	40	30	80	36	6	28	6,5	4	1	KP-4025-4D-N
G1/2"	G1/4"	40	30	152	36	6	72	6,5	8	2	KP-4025-8D-N
G1/2"	G1/4"	40	30	224	36	6	144	6,5	12	2	KP-4025-12D-N

## distributor with double-sided outlets



connection A	outlets B	C	D	E	F	G	H	L	number of outlets	type
G1/2"	G1/2"	50	30	102	34	6,5	83	5,5	4	KP-6030-4D-N
G1/2"	G1/2"	50	30	170	34	6,5	151	5,5	8	KP-6030-8D-N
G1/2"	G1/2"	50	30	238	34	6,5	219	5,5	12	KP-6030-12D-N

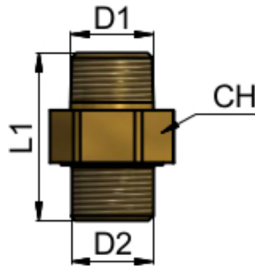
## distributor with single-sided outlets



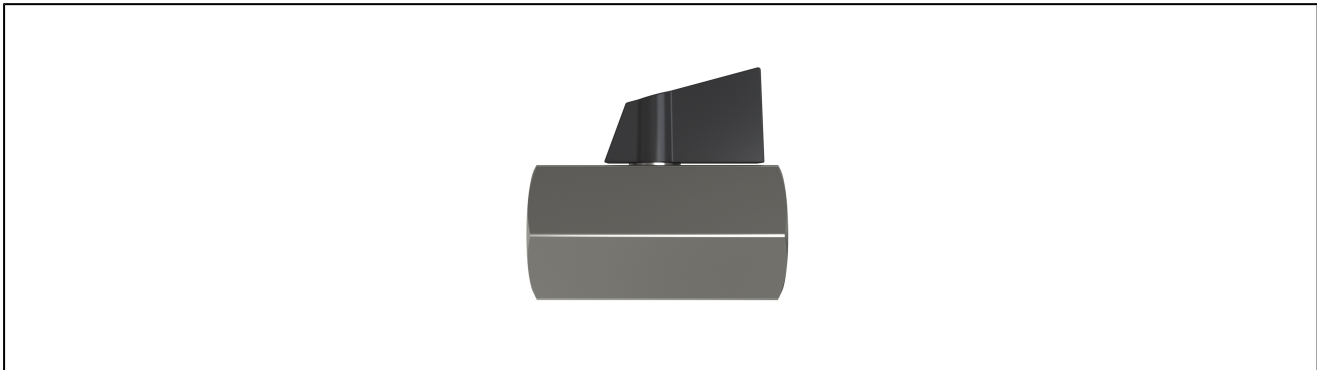
connection A	outlets B	C	D	E	F	G	H	M	N	L	number of outlets	drawing	type
G1/4"	G1/8"	30	20	60	30	4,5	21	15	15	5,5	2	1	KP-3020-2E-N
G1/4"	G1/8"	30	20	120	30	4,5	60	15	15	5,5	4	3	KP-3020-4E-N
G1/4"	G1/8"	30	20	180	30	4,5	120	15	15	5,5	6	3	KP-3020-6E-N
G1/2"	G1/4"	40	30	80	36	6	28	20	20	6,5	2	1	KP-4025-2E-N
G1/2"	G1/4"	40	30	152	36	6	72	21	14	6,5	4	2	KP-4025-4E-N
G1/2"	G1/4"	40	30	224	36	6	144	21	14	6,5	6	2	KP-4025-6E-N
G1/2"	G1/2"	50	30	102	34	6,5	83	25	25	5,5	2	2	KP-6030-2E-N
G1/2"	G1/2"	50	30	170	34	6,5	151	25	25	5,5	4	2	KP-6030-4E-N
G1/2"	G1/2"	50	30	238	34	6,5	219	25	25	5,5	6	2	KP-6030-6E-N

illustrations are for information only and are non-binding  
all designs, configurations, measurements and materials are subject to change without prior notice

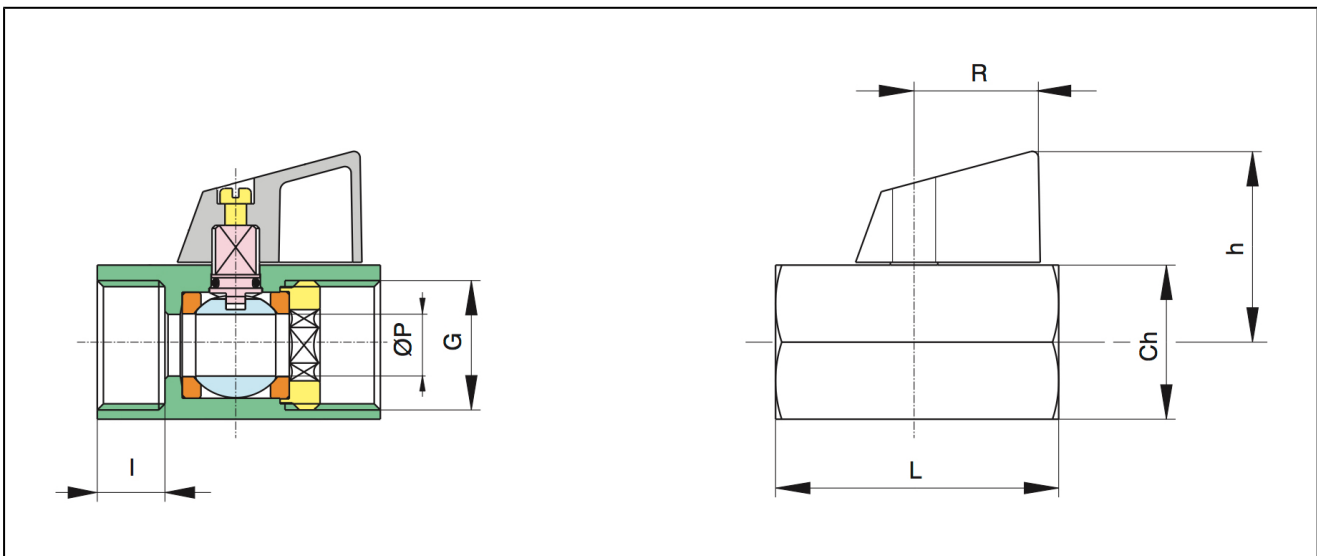
### TH38C detachable hex nipple - conical thread, metal sealing

	D1	D2	L1	CH	weight [g]	type
	R1/8"	R1/8"	27	15	17	TH38C-18-B-Z
	R1/8"	R1/4"	30	15	23	TH38C-18-14-B-Z
	R1/4"	R1/4"	33,5	19	34	TH38C-14-B-Z
	R1/4"	R3/8"	35	19	44	TH38C-14-38-B-Z
	R3/8"	R3/8"	37	22	52	TH38C-38-B-Z
	R1/2"	R1/2"	44,5	27	81	TH38C-12-B-Z
	R3/4"	R3/4"	54	36	193	TH38C-34-B-Z
	R1"	R1"	65	46	353	TH38C-10-B-Z

## ball valves made of brass series 3830



design	two way ball valve with floating ball; mini type
connection	G1/8" ... G1/2" according to ISO228/1
materials	CW617N chromium plated brass body , ball brass CW617N hard chrome plated, ball seal PTFE, stem seal NBR, polyamide turning handle
type of fixing	installed into rigid pipework
mounting position	any
application	gases and liquids of group 2 according to PED 2014/68/EU, which do not affect the used materials.
medium temperature	-20...+90°C
operating pressure	nominal pressure according to table
actuation	with 90° turn of the handle



connection	nominal diameter DN[mm]	PN [bar]	Ch	h	I	L	R	P	kv value [m <sup>3</sup> /h]	weight [app. kg]	type
G1/8"	6	10	21	29	8	41	20,5	8	4,3	0,11	3830-1/8"
G1/4"	8	10	21	29	10	41	20,5	8	4,3	0,10	3830-1/4"
G3/8"	10	10	21	29	10	41	20,5	8	2,7	0,08	3830-3/8"
G1/2"	15	10	25	31	11	46	20,5	10	5,4	0,13	3830-1/2"

illustrations are non-binding  
all designs, configurations, measurements and materials are subject to change without prior notice