

pressure regulator made of stainless steel series PR15



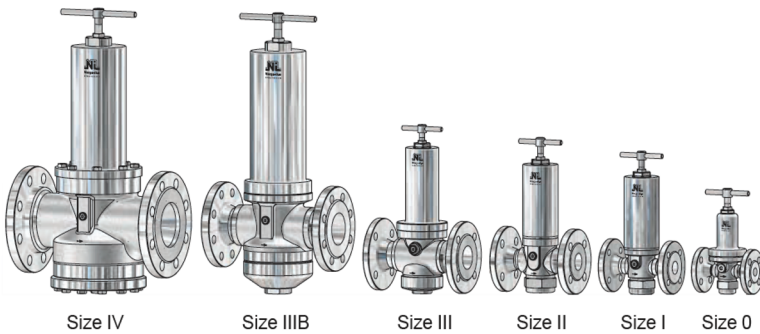
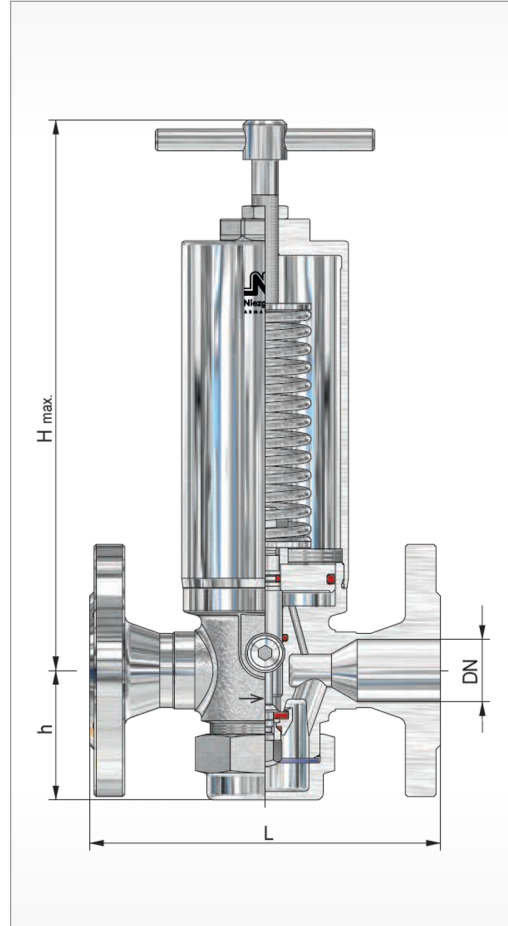
Standard version:

Material: Valve-body / media contact surfaces
Typ 71.2: BG 0 - II 1.4301, 1.4571 / 1.4571
 BG III - IV 1.4571 / 1.4571

Connections: Flange connections: DIN EN / ASME B16.5
Sealings: FPM, EPDM
 PTFE, EPDM (steam up to 150°C)
 PTFE, FEPM, EPDM (steam up to 200°C)

Approvals:

Pressure Equipment Directive: 2014/68/EU
 Declaration of Conformity



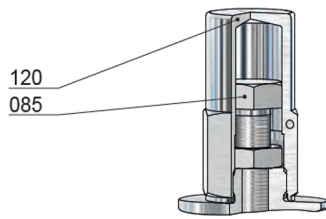
Size	Inlet			Outlet			Dimensions				Kvs value [m³/h]
	DN	NPS	Inlet pressure range P1 [bar(g)] max.	DN	NPS	Reduced pressure range P2 min. [bar(g)] max.	Height 'H' max.				
							Toggle spindle [mm]	Cap [mm]	L [mm]	h [mm]	
0	10	-	63	10	-	0,35 / 17,00	205	180	130	48	2,0
	15	1/2		15	1/2						2,2
I	15	1/2	63	15	1/2	0,35 / 73,00	275	255	150	58	3,0
	20	3/4		20	3/4						3,2
	25*	1*		25*	1*						3,5
II	25	1	63	25	1	0,25 / 23,00	ø05	265	160	68	6,3
	32	1 1/4		32	1 1/4						6,5
	40*	1 1/2*		40*	1 1/2*						6,7
III	40	1 1/2	40	40	1 1/2	0,25 / 17,00	325	305	200	85	12,5
	50	2		50	2						13,0
	65*	2 1/2*		65*	2 1/2*						13,5
IIIB	50	2	40	50	2	0,25 / 12,00	545	495	300	145	27,5
	65	2 1/2		65	2 1/2						28,0
	80	3		80	3						28,5
IV	65	2 1/2	40	65	2 1/2	0,20 / 12,00	550	505	290	157	48,0
	80	3		80	3						50,0
	100	4		100	4						53,0

other design on request

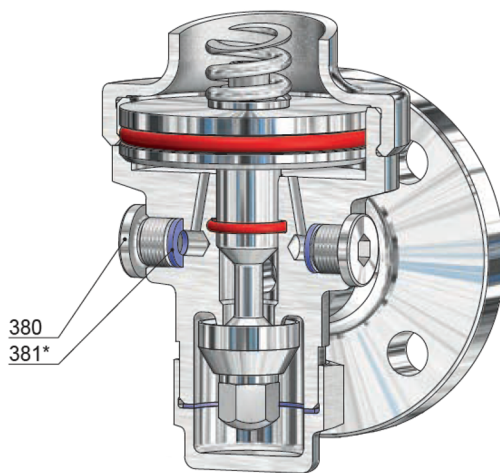
* special size

Abbildungen unverbindlich, Konstruktions-, Maß- und Werkstoffänderungen vorbehalten
 illustrations are non-binding, all designs, configurations, measurements and materials are subject to change without prior notice

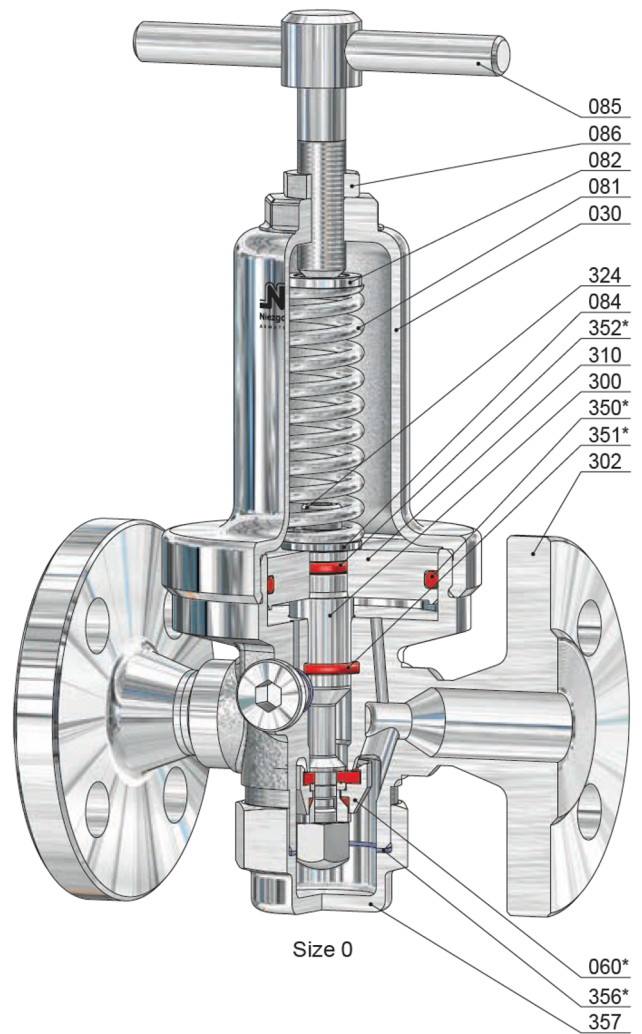
pressure regulator made of stainless steel
series PR15



Cap
(Option: AC)



Manometer connection G ¼

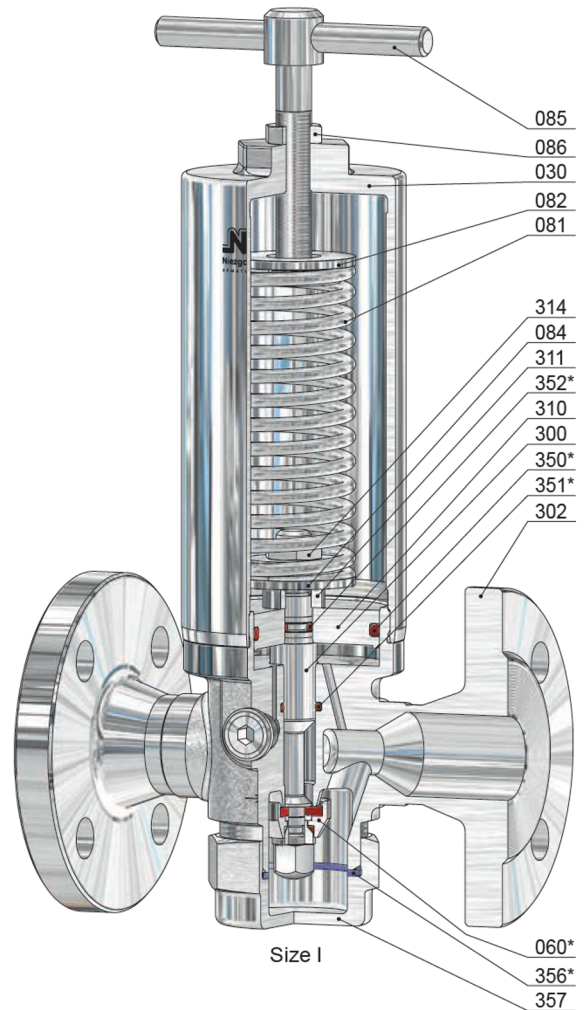
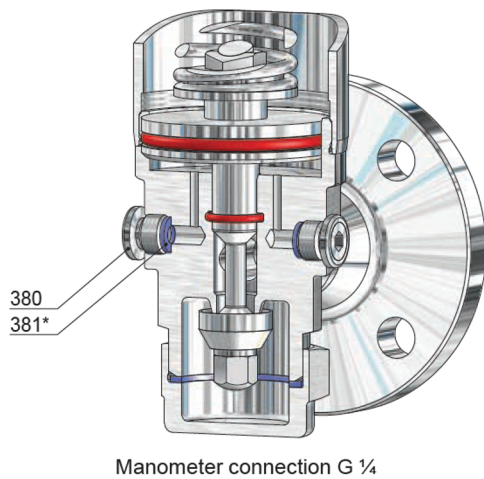
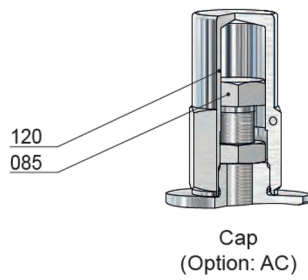


Size 0

Item	Piece	Description	Item	Piece	Description
302	1	valve body	086	1	lock nut
030	1	spring bonnet	120	1	cap
060 *	1	disc, complete	300	1	piston
560	1	disc	310	1	piston plate
061	1	pressure piece	324	1	screw
062	1	soft sealing	350 *	1	o-ring
065	1	disc bolt	351 *	1	o-ring
071	1	o-ring	352 *	1	o-ring
072	1	locking ring	356 *	1	sealing ring
073	1	o-ring <i>(only for thermoplastics soft sealing)</i>	357	1	bottom plug
081	1	spring	380	2	screw plug
082	1	springplate, upper	381 *	2	sealing ring
084	1	springplate, lower			
085	1	adjusting screw			

* expendable parts

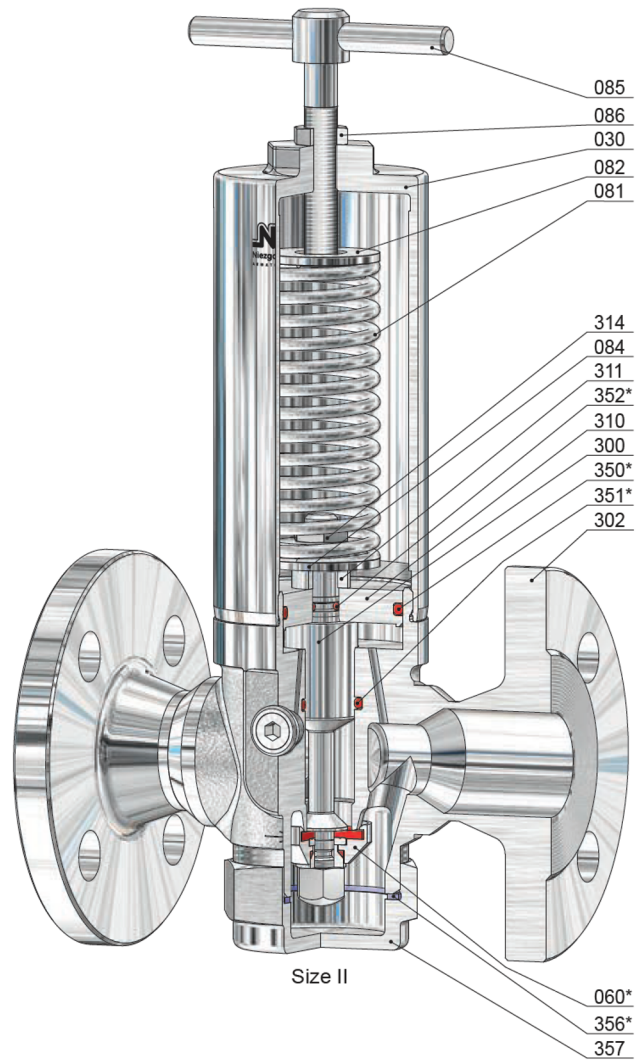
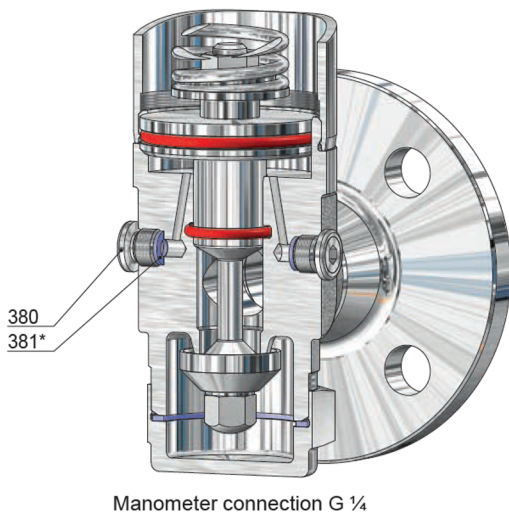
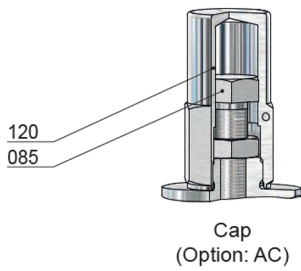
pressure regulator made of stainless steel
series PR15



Item	Piece	Description	Item	Piece	Description
302	1	valve body	086	1	lock nut
030	1	spring bonnet	120	1	cap
060 *	1	disc, complete	300	1	piston
560	1	disc	310	1	piston plate
061	1	pressure piece	311	1	distance bush
062	1	soft sealing	314	1	lock nut
065	1	disc bolt	350 *	1	o-ring
071	1	o-ring	351 *	1	o-ring
072	1	locking ring	352 *	1	o-ring
073	1	o-ring <i>(only for thermoplastics soft sealing)</i>	356 *	1	sealing ring
081	1	spring	357	1	bottom plug
082	1	springplate, upper	380	2	screw plug
084	1	springplate, lower	381 *	2	sealing ring
085	1	adjusting screw			

* expendable parts

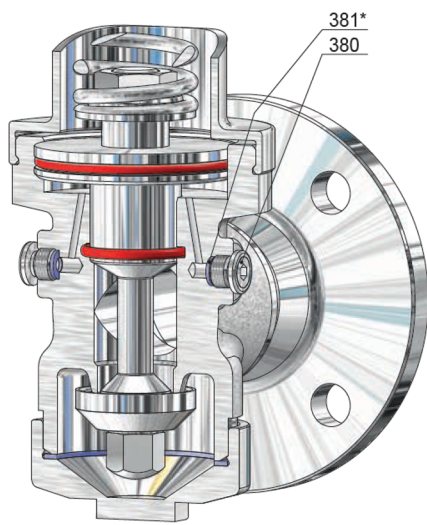
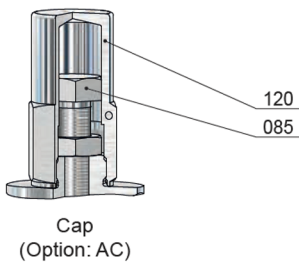
pressure regulator made of stainless steel
series PR15



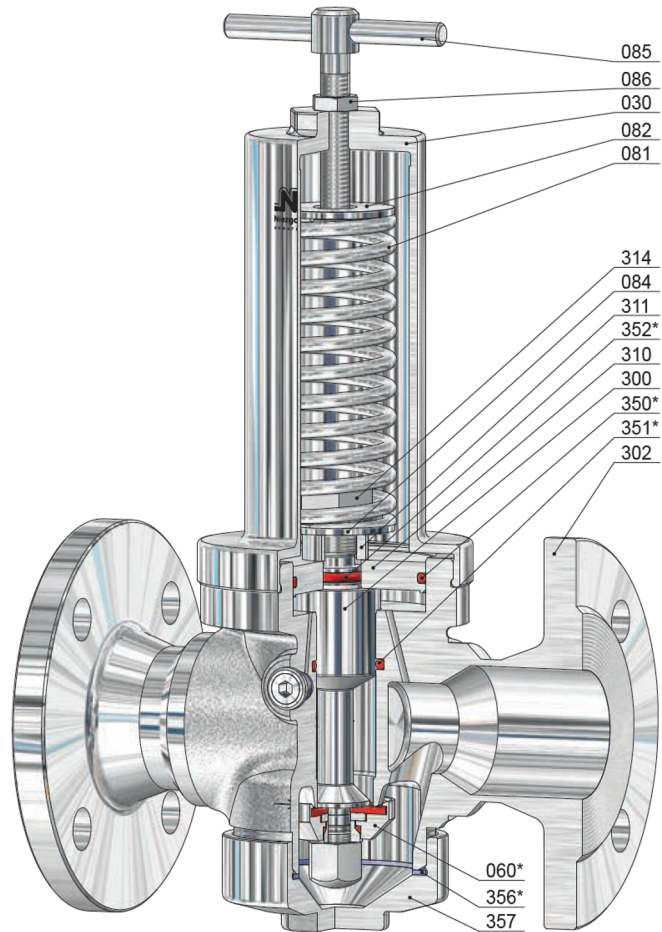
Item	Piece	Description	Item	Piece	Description
302	1	valve body	086	1	lock nut
030	1	spring bonnet	120	1	cap
060 *	1	disc, complete	300	1	piston
560	1	disc	310	1	piston plate
061	1	pressure piece	311	1	distance bush
062	1	soft sealing	314	1	lock nut
065	1	disc bolt	350 *	1	o-ring
071	1	o-ring	351 *	1	o-ring
072	1	locking ring	352 *	1	o-ring
073	1	o-ring <i>(only for thermoplastics soft sealing)</i>	356 *	1	sealing ring
081	1	spring	357	1	bottom plug
082	1	springplate, upper	380	2	screw plug
084	1	springplate, lower	381 *	2	sealing ring
085	1	adjusting screw			

* expendable parts

pressure regulator made of stainless steel
series PR15



Manometer connection G 1/4

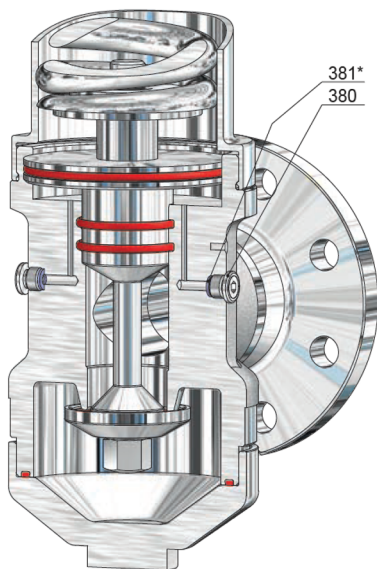
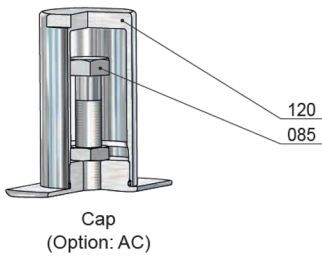


Size III

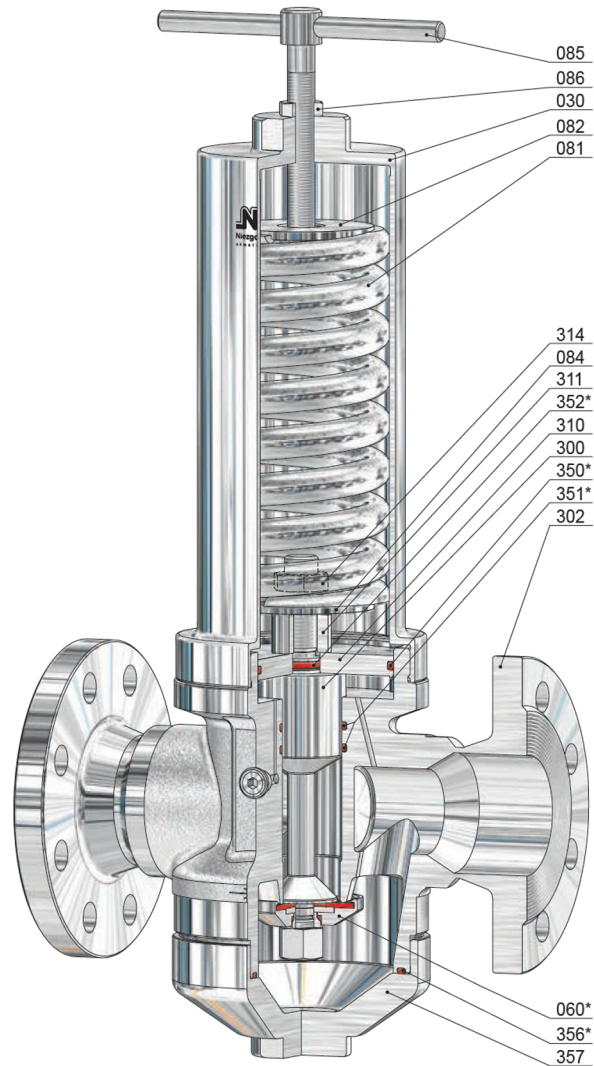
Item	Piece	Description	Item	Piece	Description
302	1	valve body	086	1	lock nut
030	1	spring bonnet	120	1	cap
060 *	1	disc, complete	300	1	piston
560	1	disc	310	1	piston plate
061	1	pressure piece	311	1	distance bush
062	1	soft sealing	314	1	lock nut
065	1	disc bolt	350 *	1	o-ring
071	1	o-ring	351 *	1	o-ring
072	1	locking ring	352 *	1	o-ring
073	1	o-ring <i>(only for thermoplastics soft sealing)</i>	356 *	1	sealing ring
081	1	spring	357	1	bottom plug
082	1	springplate, upper	380	2	screw plug
084	1	springplate, lower	381 *	2	sealing ring
085	1	adjusting screw			

* expendable parts

pressure regulator made of stainless steel
series PR15



Manometer connection G 1/4

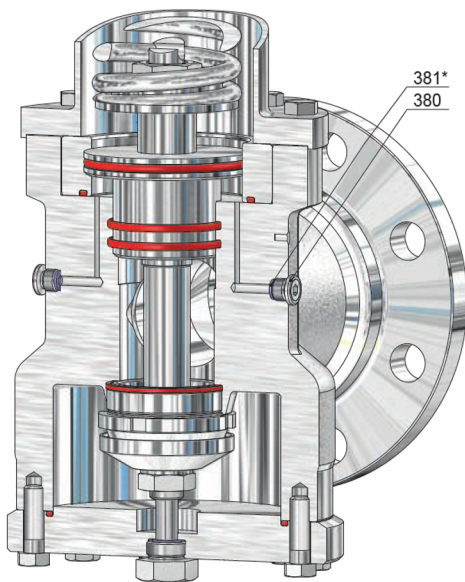
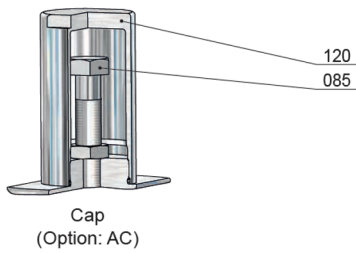


Size IIIB

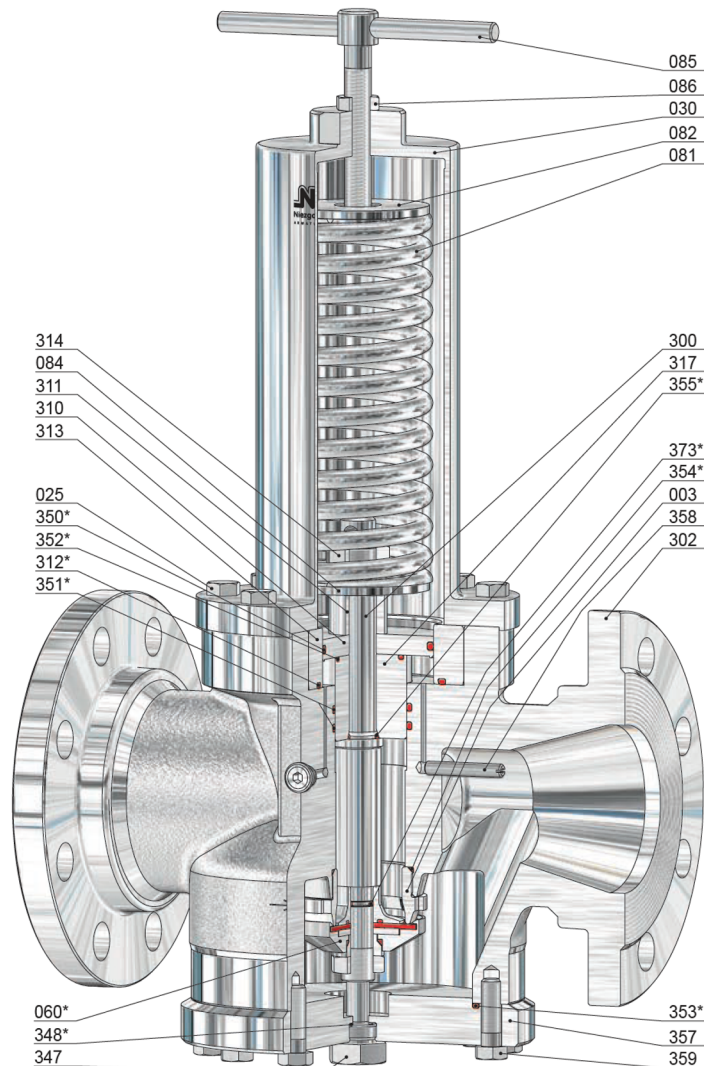
Item	Piece	Description	Item	Piece	Description
302	1	valve body	086	1	lock nut
030	1	spring bonnet	120	1	cap
060 *	1	disc, complete	300	1	piston
560	1	disc	310	1	piston plate
061	1	pressure piece	311	1	distance bush
062	1	soft sealing	314	1	lock nut
065	1	disc bolt	350 *	1	o-ring
071	1	o-ring	351 *	2	o-ring
072	1	locking ring	352 *	1	o-ring
073	1	o-ring <i>(only for thermoplastics soft sealing)</i>	356 *	1	o-ring
081	1	spring	357	1	bottom plug
082	1	springplate, upper	380	2	screw plug
084	1	springplate, lower	381 *	2	sealing ring
085	1	adjusting screw			

* expendable parts

pressure regulator made of stainless steel
series PR15



Manometer connection G 1/4



Size IV

Item	Piece	Description	Item	Piece	Description	Item	Piece	Description
302	1	valve body	082	1	springplate, upper	350 *	1	o-ring
003	1	seat	084	1	springplate, lower	351 *	2	o-ring
025	8	screw	085	1	adjusting screw	352 *	1	o-ring
030	1	spring bonnet	086	1	lock nut	353 *	1	o-ring
060 *	1	disc, complete	120	1	cap	354 *	1	o-ring
560	1	disc	300	1	piston	355 *	1	o-ring
061	1	pressure piece	310	1	piston plate	357	1	bottom plug
062	1	soft sealing	311	1	distance bush	358	1	suction tube
065	1	disc bolt	312 *	1	o-ring	359	12	screw
071	1	o-ring	313	1	piston plate ring	373 *	1	o-ring
072	1	locking ring	314	2	lock nut	380	2	screw plug
073	1	o-ring	317	1	piston guide	381 *	2	sealing ring
074	1	disc plate	347	1	screw			
081	1	spring	348 *	1	sealing ring			

* expendable parts

Spring ranges for reduced pressure P2

Piston plate [mm]		Ø 139	Ø 119	Ø 99	Ø 84	Ø 64	Ø 48	Ø 38	Ø 27
Size	Spring no.	[bar(g)]							
0	98					0,35 - 0,50			
	99					0,60 - 0,80			
	100					0,90 - 1,20			
	101					1,30 - 1,80	2,40 - 3,00	4,10 - 5,00	6,60 - 10,00
	102					1,90 - 2,30	3,10 - 4,00	5,10 - 6,50	10,10 - 12,00
	103								12,10 - 17,00
I	303					0,35 - 0,69			
	304					0,70 - 1,20			
	305					1,30 - 2,00			
	306					2,10 - 3,00	4,60 - 5,00	8,10 - 8,50	12,10 - 17,00
	307					3,10 - 4,50	5,10 - 8,00	8,60 - 12,00	17,10 - 25,00
	308								25,10 - 30,00
	309								30,10 - 38,00
	311								38,10 - 53,00 53,10 - 73,00
II	303				0,25 - 0,35				
	304				0,36 - 0,65				
	305				0,66 - 1,00				
	306				1,10 - 1,50	2,10 - 2,80	4,10 - 5,00	7,10 - 8,00	
	307				1,60 - 2,00	2,90 - 4,00	5,10 - 7,00	8,10 - 11,00	
	308							11,10 - 14,00	
	309							14,10 - 17,00	
	310							17,10 - 23,00	
III	323			0,25 - 0,35					
	324			0,36 - 0,60					
	325			0,61 - 1,00	1,10 - 1,40				
	326				1,50 - 2,00	2,60 - 3,50	4,10 - 6,50		
	327				2,10 - 2,50	3,60 - 4,00	6,60 - 7,50		
	328						7,60 - 8,50		
	329						8,60 - 12,00		
	330						12,10 - 17,00		
IIIB	353		0,25 - 0,45						
	354		0,46 - 0,75						
	355		0,76 - 1,00						
	356		1,10 - 1,60	1,70 - 2,40					
	357			2,50 - 4,00	4,10 - 5,50				
	358				5,60 - 7,50				
	359				7,60 - 9,00				
	360				9,10 - 12,00				
IV	353	0,20 - 0,34							
	354	0,35 - 0,55							
	355	0,56 - 0,80							
	356	0,90 - 1,20		2,10 - 2,40					
	357	1,30 - 2,00		2,50 - 4,00	4,10 - 5,50				
	358				5,60 - 7,50				
	359				7,60 - 9,00				
	360				9,10 - 12,00				