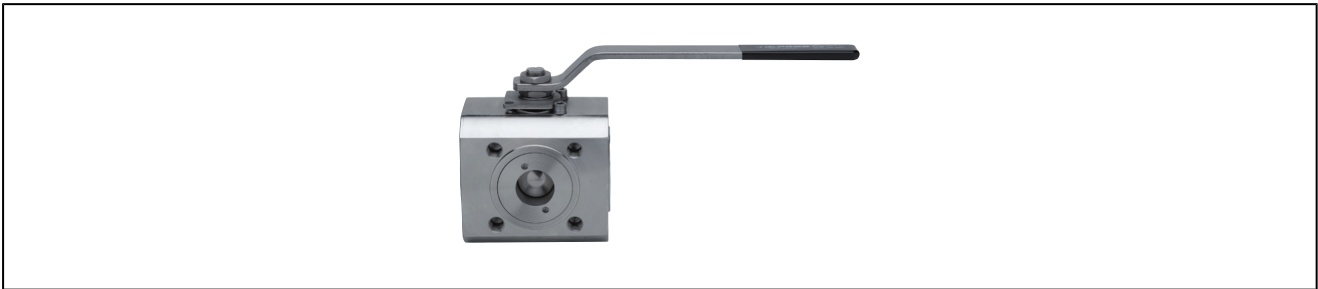
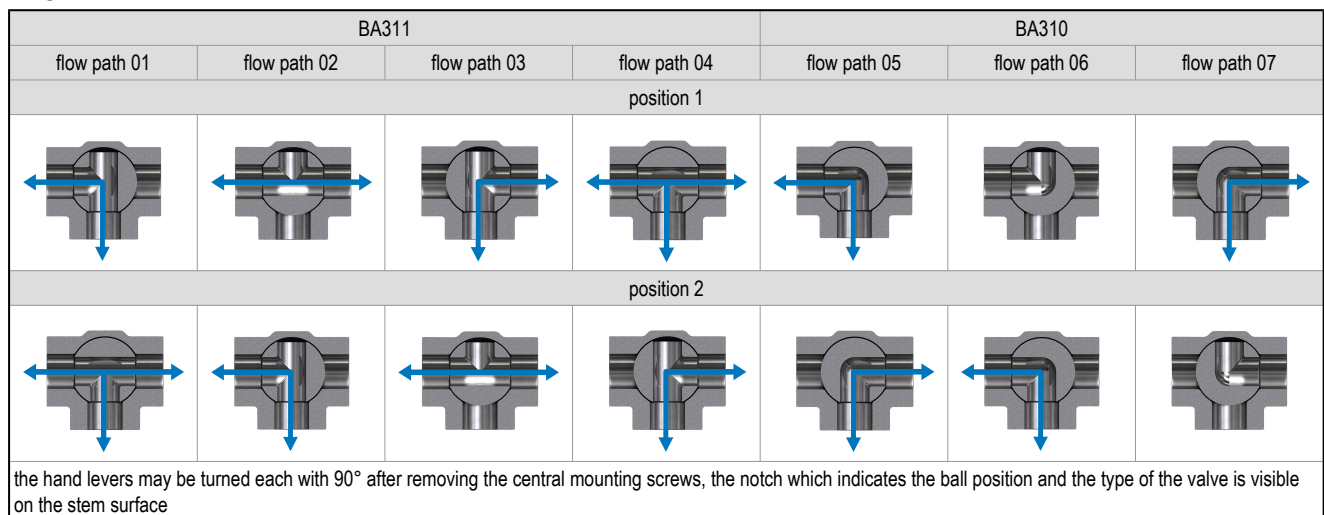


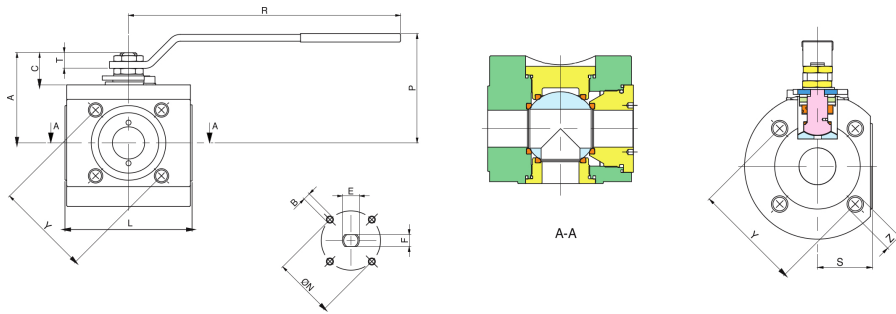
3-way flange ball valve, steel series BA310, BA311



design	3-way ball valve with floating ball, compensation hole, full bore, sealing on three ports, not free of overlapping
actuation	with 90° turn of the handle
connection	flange DN15...DN100 according to EN1092-1 PN16
materials	body steel, ball stainless steel AISI 304, ball seal PTFE-graphite reinforced, stem seal PTFE, o-rings FKM, hand lever made of plastic coated steel
application	group 1 and 2 liquids and gases acc. to PED 2014/68/EU and which do not affect the used materials. we recommend the use of special steam ball valves for applications with steam.
medium temperature	-10...+160°C
operating pressure	vacuum max. 10 ⁻³ Torr to nominal pressure according to table and pressure-temperature diagram
type of fixing	installed into rigid pipework
mounting position	any
approvals	TA-Luft; ATEX II 2G/D c T3
special versions	higher media temperatures on request

diagramm flow path

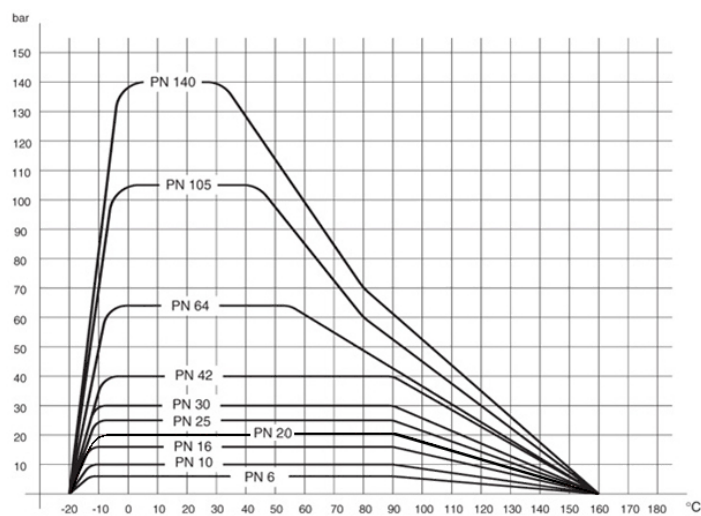




nominal diameter DN[mm]	A	B	C	E	F	L	N	P	R	S	T	Z
15	55	4 x M5	20	M10	7	99	42	73	131,5	35	10	4 x M12
20	72	4 x M6	28	M12	8	108	50	90	174	40	13	4 x M12
25	76	4 x M6	27	M12	8	115	50	95	174	41,5	12	4 x M12
32	92	4 x M6	31	M16	10	140	50	116	250	52,5	13	4 x M16
40	107	4 x M8	38	M20	14	150	70	129	321	56,5	18,5	4 x M16
50	115	4 x M8	38	M20	14	167	70	137	321	62	18,5	4 x M16
65	131	4 x M8	41	M20	14	185	70	150	321	85	22,5	4 x M16
80	147	4 x M10	40	M24	18	216	102	171	381	127	18	8 x M16
100	169	4 x M10	39	M24	18	24	102	192	381	150	18	8 x M16

nominal diameter DN[mm]	Y PN [bar]	kv value [m ³ /h]	weight [app. kg]	type T-bore	type L-bore
15	16	7,6	3,7	BA311-15-L-A	BA310-15-L-A
20	16	12,2	5,5	BA311-20-L-A	BA310-20-L-A
25	16	21,1	7	BA311-25-L-A	BA310-25-L-A
32	16	34,6	12,5	BA311-32-L-A	BA310-32-L-A
40	16	48,8	16,5	BA311-40-L-A	BA310-40-L-A
50	16	85,1	22,5	BA311-50-L-A	BA310-50-L-A
65	16	138,4	37	BA311-65-L-A	BA310-65-L-A
80	16	220,1	60	BA311-80-L-A	BA310-80-L-A
100	16	381,1	95	BA311-100-L-A	BA310-100-L-A

pressure-temperature-diagram



illustrations are non-binding
all designs, configurations, measurements and materials are subject to change without prior notice