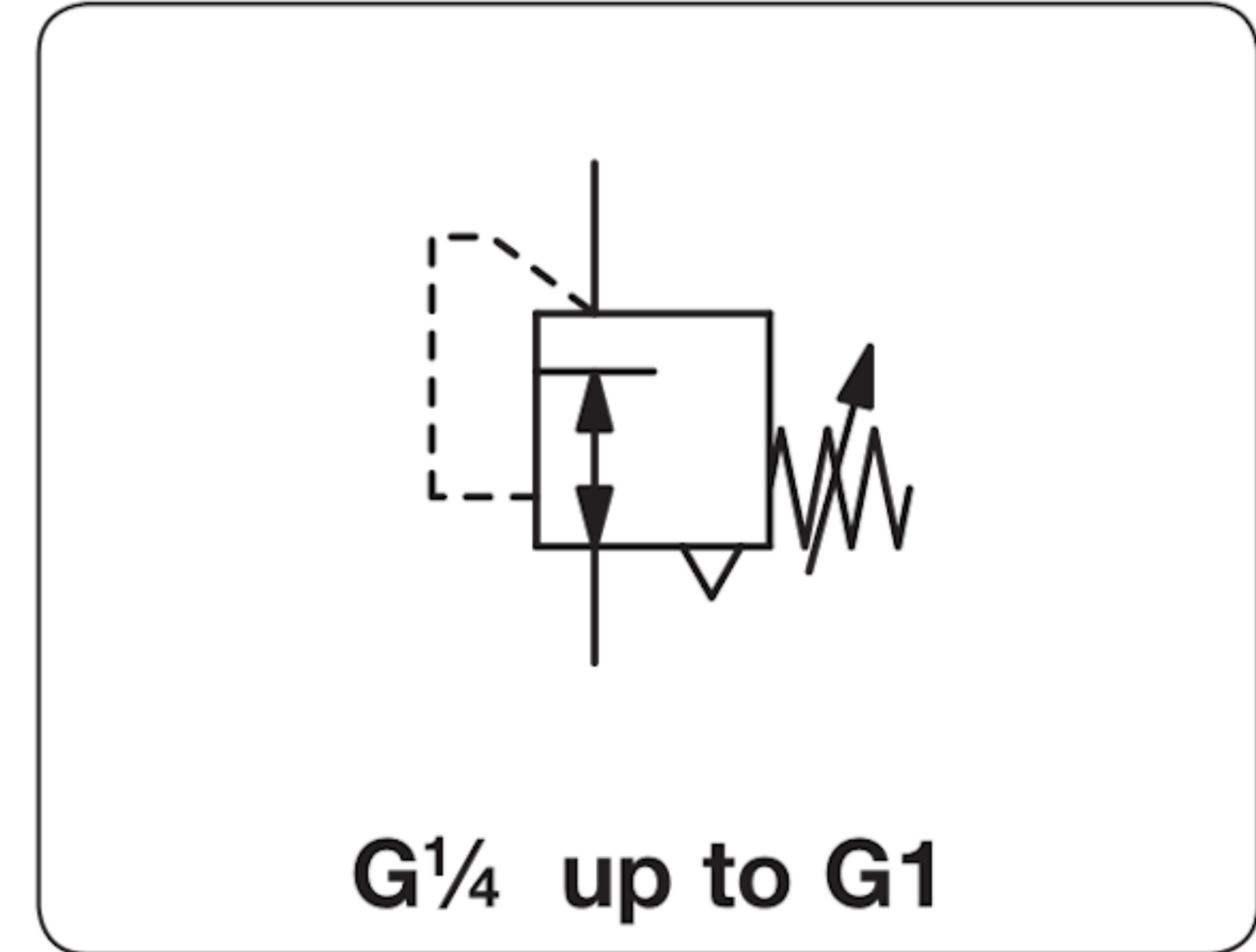


pressure regulator series RE55



Description	Piston-operated high-capacity regulator of modular design with exchangeable inserts. Can be interlocked with filter or lubricator without double nipples. Each "maxi" regulator may be taken from a fixed line in seconds simply by removing the mounting bolts.
Media	compressed air or non-corrosive gases
Supply pressure	max. 21 bar
Adjustment	by plastic knob with snap-lock
Relieving function	relieving, optionally non-relieving
Gauge port	G $\frac{1}{4}$ on both sides of the body, screw plugs supplied
Mounting position	any
Temperature range	0 °C to 50 °C / 32 °F to 122 °F
Material	Body: zinc die-cast Spring cage: zinc die-cast, adjusting knob made of glass fibre-reinforced plastic Elastomer: NBR/Buna-N Inner valve: brass and plastic



Dimensions			K _v -value (m ³ /h)	Flow rate		Connection thread G	Pressure range bar
A	B	C		m ³ /h*1	l/min*1		

"Maxi" pressure regulator							supply pressure max. 21 bar, relieving, without pressure gauge
89	162	38	3.4	240	4 000	G $\frac{1}{4}$	0.2... 1.8 0.2... 4.0 0.3... 9.0 0.5... 17
89	162	38	4.2	300	5 000	G $\frac{3}{8}$	0.2... 1.8 0.2... 4.0 0.3... 9.0 0.5... 17
89	162	38	5.2	372	6 200	G $\frac{1}{2}$	0.2... 1.8 0.2... 4.0 0.3... 9.0 0.5... 17
111	162	38	6.1	432	7 200	G $\frac{3}{4}$	0.2... 1.8 0.2... 4.0 0.3... 9.0 0.5... 17
111	162	38	6.3	450	7 500	G1	0.2... 1.8 0.2... 4.0 0.3... 9.0 0.5... 17

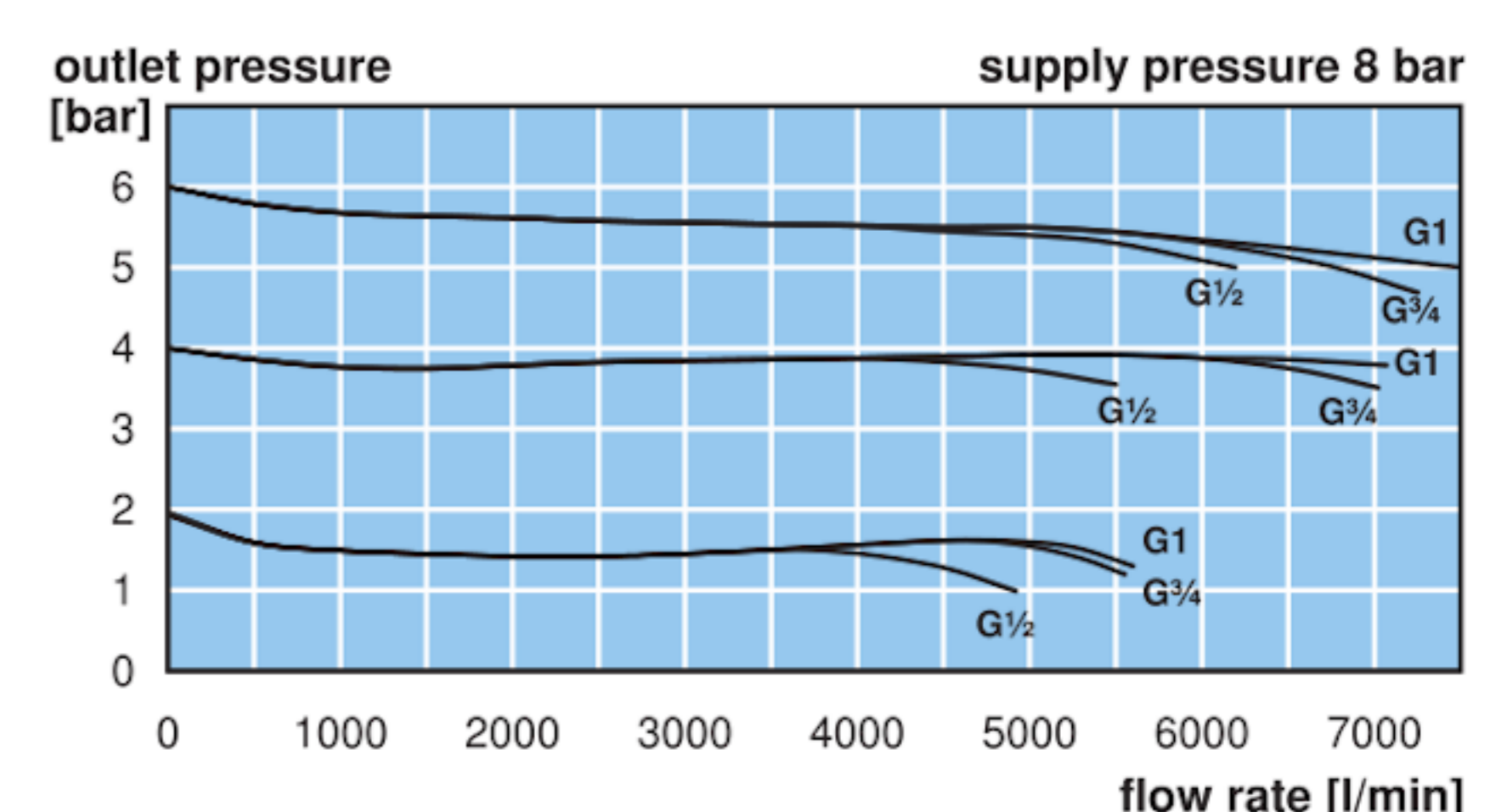
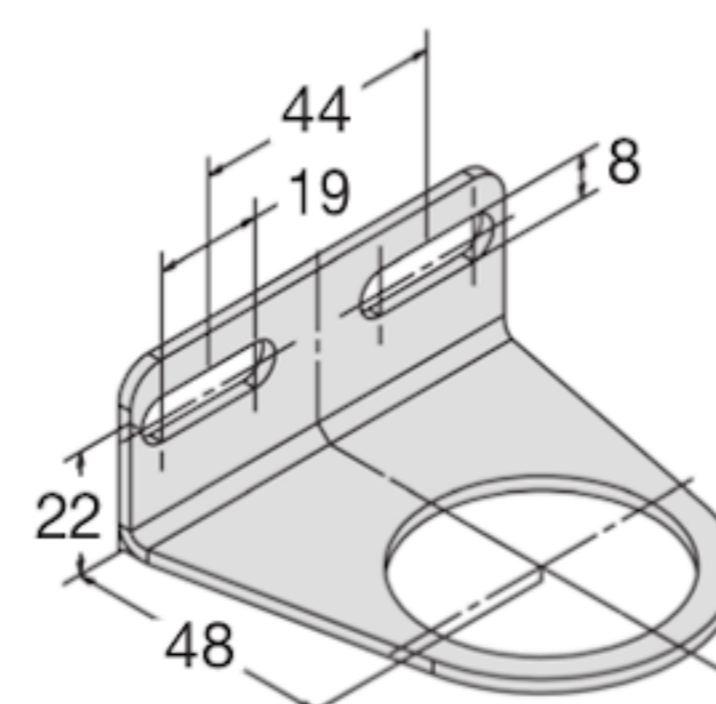
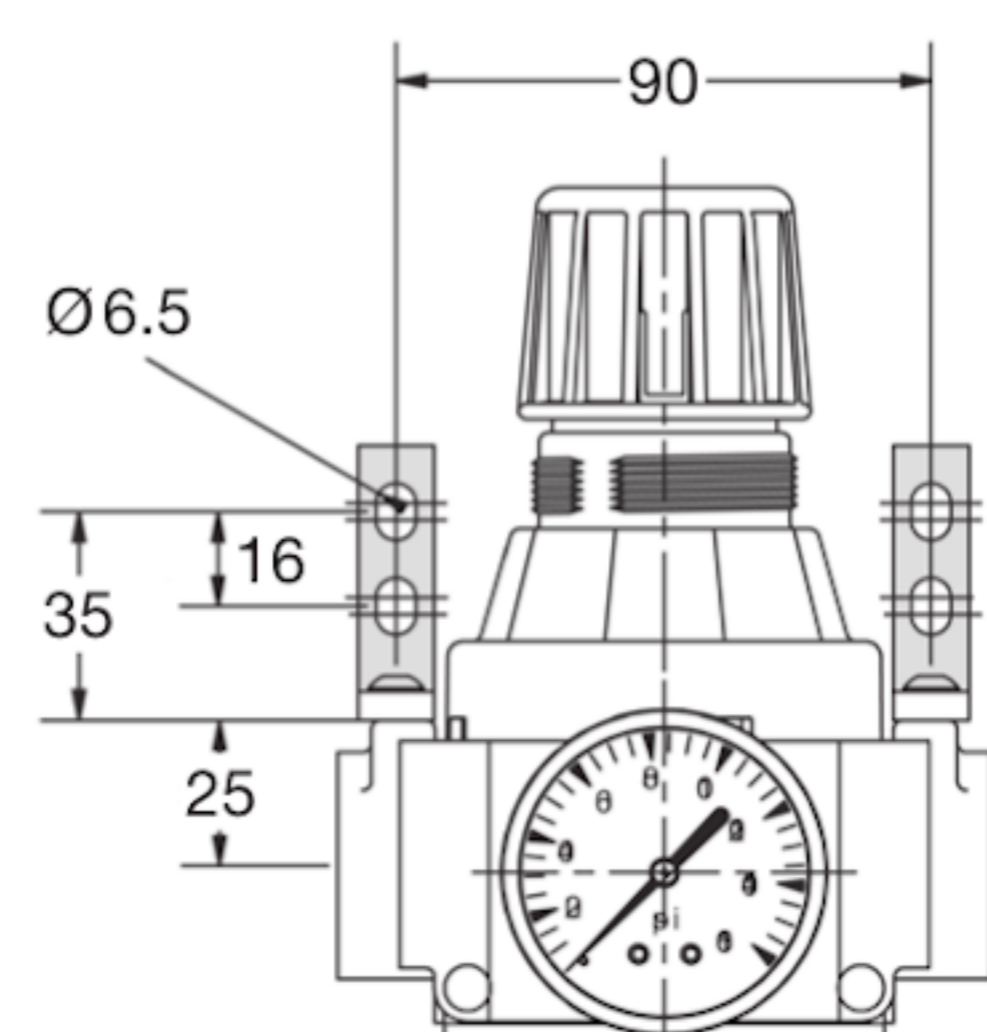
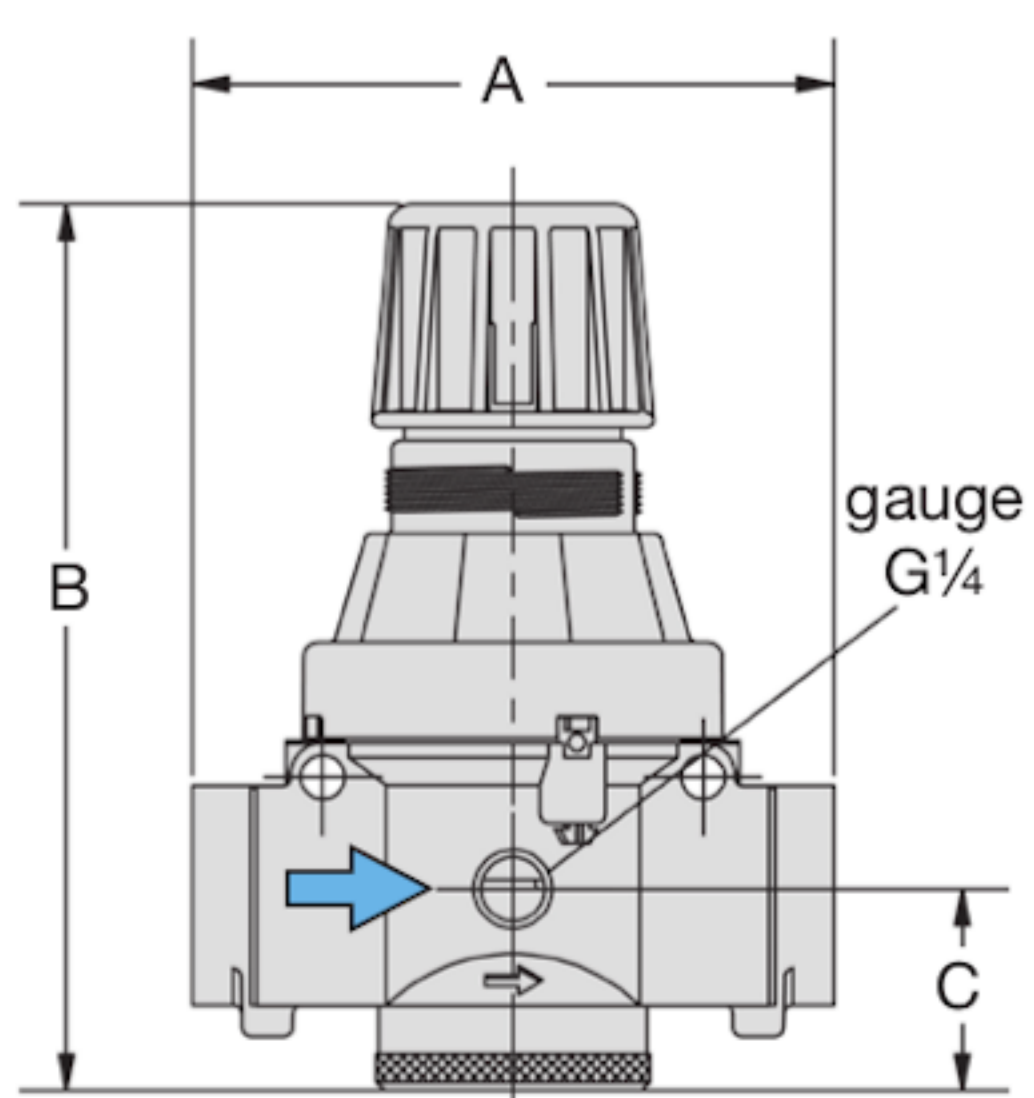


Special options, add the appropriate letter

T-handle	including locknut
NPT	connection thread
non-relieving	without relieving function

Accessories, enclosed

pressure gauge	Ø 63 mm, 0...*2 bar, G $\frac{1}{4}$ up to 16 bar Ø 63 mm, 0...25 bar, G $\frac{1}{4}$ up to 25 bar
mounting bracket	assembly at spring cage
mounting nut	made of plastic
	made of aluminium
set of brackets	made of steel



*1 at 8 bar supply pressure, 6 bar outlet pressure and 1 bar pressure drop
*2 02 = 0...2.5 bar, 04 = 0...4 bar, 10 = 0...10 bar, 25 = 0...25 bar