

Flanged valve pneumatically actuated Series SE23, SE24, SE25, SE33



Design type	2/2-way poppet valve, pneumatically actuated
Connection	Flanges DN15...DN80 according to DIN EN1092-1 PN40
Overall length	according to EN558-1R1
Materials	Housing Stainless steel 1.4408 Seat seal FKM, EPDM, NBR and PTFE
Application range	gaseous and liquid media that do not attack the materials used Control function Spring closing (closing against media flow): Application for liquids to prevent pressure surges Control function Spring closing (closing with media flow): Application for gases and vapors Control function spring opens (closing against the media flow): Application for liquids, gases and vapours
Viscosity of the medium	max. 600mm ² /s (600cSt)
Medium temperature	Piston actuator metal cover: -30...+170°C Low-temperature version down to -100°C, High-temperature version up to 200°C and High-temperature version up to 220°C on request
Ambient temperature	-30...+60°C
Operating pressure	Vacuum up to 0,001 bar absolute see tables and Selection charts, Operating limit for gases of group 1: P[bar] x DN <1000
Tightness Package	TA air test according to DIN EN ISO15848-1 and VDI 2440
Control medium	Compressed air and neutral gases (Liquids on request)
Control pressure	see table
Approvals	ATEX II 2G Ex h IIC T6...T2 X Gb / II 2D Ex h IIIC 85°C...220°C X Db
Special versions	oil- and grease-free version, AS-i bus, Flanges according to ANSI 150 (DN15...DN50), higher operating pressures (reinforced version), dead space-free on request
Accessories	Limit switch, Pilot valve, Manual override actuation, Manual emergency override

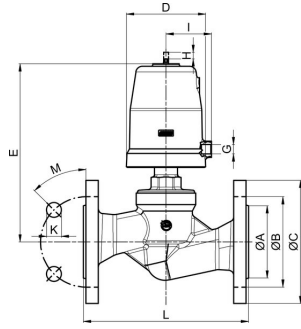


Type code

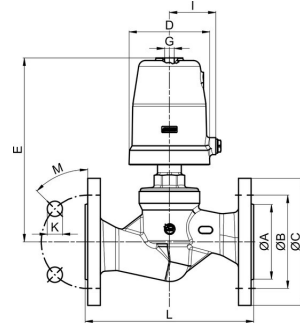
		SE 23 - 25 - S T 50 - 01				
	Spring closing (closing with media flow)	25				
	Spring closing (closing against media flow)	24				
	spring opens (closing against the media flow)	23				
Type	Spring closing (closing with media flow) with pressure-relieved poppet cone	33				
Connection	DN15	15				
	DN20	20				
	DN25	25				
	DN32	32				
	DN40	40				
	DN50	50				
	DN65	65				
	DN80	80				
Materials	Housing Stainless steel 1.4408		S			
Seat seal	EPDM - Medium temperature -30...+140°C		E			
	NBR - Medium temperature -30...+80°C		N			
	PTFE - Medium temperature -30...+200°C		T			
	FKM - Medium temperature -15...+200°C		V			
Actuator	Piston Ø50mm, double-acting			50		
	Piston Ø50mm, 1 Spring			51		
	Piston Ø50mm, 2 Springs			52		
	Piston Ø50mm, 3 Springs			53		
	Piston Ø80mm, double-acting			80		
	Piston Ø80mm, 1 Spring			81		
	Piston Ø80mm, 2 Springs			82		
	Piston Ø80mm, 3 Springs			83		
	Piston Ø125mm, double-acting			125		
	Piston Ø125mm, 1 Spring			1251		
	Piston Ø125mm, 2 Springs			1252		
	Piston Ø125mm, 3 Springs			1253		
	Diaphragm actuator 250cm², 4 Springs			2504		
	Diaphragm actuator 250cm², 6 Springs			2506		
	Diaphragm actuator 250cm², 8 Springs			2508		
	Diaphragm actuator 250cm², 10 Springs			25010		
	Diaphragm actuator 250cm², 12 Springs			25012		
Special version	described in the item text					01,02,03...



Technical specifications and Dimensions

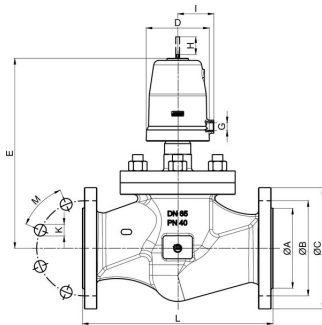


Spring return closed, Type SE24, SE25, SE33

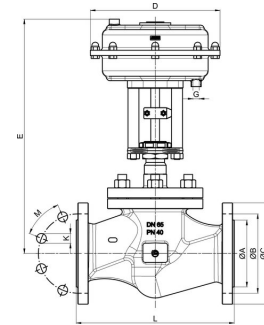


spring opens, Type SE23

Nominal size DN [mm]	Actuator	ØA	ØB	ØC	D	E	G	H (Stroke [mm])	I	K	L	M	N (Number of holes)	Kvs values [m³/h]	Weight [kg]
15	50	45	65	95	62	147	1/8"	12	34,5	14	130	45°	4	3,1	2,5
20	50	58	75	105	62	152	1/8"	15,5	34,5	14	150	45°	4	6,5	3,3
25	50	68	85	115	62	169	1/8"	15,5	34,5	14	160	45°	4	12	3,9
25	80	68	85	115	96	208	1/4"	20	55	14	160	45°	4	12	5,5
32	50	78	100	140	62	173	1/8"	15,5	34,5	18	180	45°	4	17	5,5
32	80	78	100	140	96	212	1/4"	23	55	18	180	45°	4	17,5	7
32	125	78	100	140	238	236	1/4"	23	80	18	180	45°	4	17,5	9,2
40	50	88	110	150	62	179	1/8"	15,5	34,5	18	200	45°	4	25	6,6
40	80	88	110	150	96	218	1/4"	28,5	55	18	200	45°	4	25	8,1
40	125	88	110	150	238	242	1/4"	28,5	80	18	200	45°	4	25	10,3
50	80	102	125	165	96	241	1/4"	30	55	18	230	45°	4	40	10,1
50	125	102	125	165	238	266	1/4"	30	80	18	230	45°	4	40	12,3



Spring return closed, Type SE24, SE25, SE33



Actuator 250

Nominal size DN [mm]	Actuator	ØA	ØB	ØC	D	E	G	H (Stroke [mm])	I	K	L	M	N (Number of holes)	Kvs values [m³/h]	Weight [kg]
65	80	122	145	185	96	295	1/4"	27	55	18	290	45°	8	59	23
65	125	122	145	185	146	320	1/4"	27	80	18	290	45°	8	59	25
65	250	122	145	185	238	430	1/4"	25	-	18	290	45°	8	59	30
80	80	138	160	200	96	295	1/4"	27	55	18	310	45°	8	84	30
80	125	138	160	200	146	320	1/4"	27	80	18	310	45°	8	84	32
80	250	138	160	200	238	430	1/4"	25	-	18	310	45°	8	84	36



Technical specifications Spring closing (closing against media flow), Type SE24

Nominal size DN [mm]	max. operating pressure [bar]	Control pressure [bar]	Actuator [mm]	Springs
15	15	3,5...10	50	1
15	27	4,5...10	50	2
20	5,1	3,5...10	50	1
20	10	4,5...10	50	2
20	16	5,7...10	50	3
25	2,3	3,5...10	50	1
25	5,6	4,5...10	50	2
25	8,9	5,7...10	50	3
25	20	3,5...10	50	1
32	3,1	4,5...10	80	2
32	5,1	5,7...10	50	3
32	11	3,5...10	50	1
32	16	4,4...10	80	2
32	21	5,6...10	80	3
32	10	1,3...10	125	1
32	22	2,2...10	125	2
40	1,9	4,5...10	50	2
40	3,4	5,7...10	50	3
40	6,8	3,5...10	80	1
40	9,6	4,4...10	80	2
40	12	5,6...10	80	3
40	6,3	1,3...10	125	1
40	14	2,2...10	125	2
40	20	3,1...10	125	3
50	4	3,5...10	80	1
50	5,9	4,4...10	80	2
50	7,7	5,6...10	80	3
50	8,7	2,2...10	125	2
50	12	3,1...10	125	3
65	3	4,6...10	80	2
65	4,1	5,8...10	80	3
65	4,8	2,3...10	125	2
65	7	3,2...10	125	3
65	11	2,7...10	250	8
65	15	3,7...10	250	12
80	2	4,6...10	80	2
80	2,7	5,8...10	80	3
80	3,2	2,3...10	125	2
80	4,7	3,2...10	125	3
80	7,5	2,7...10	250	8
80	10,5	3,7...10	250	12

grey shaded: standard



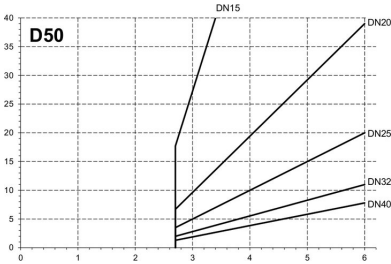
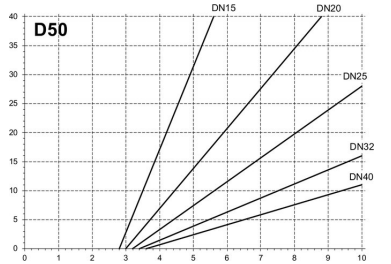
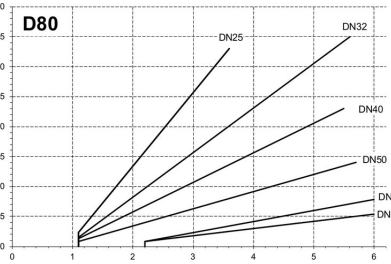
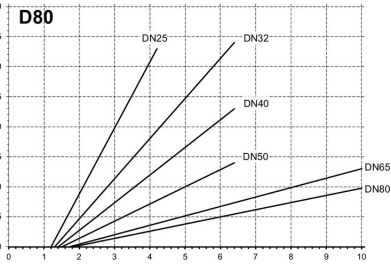
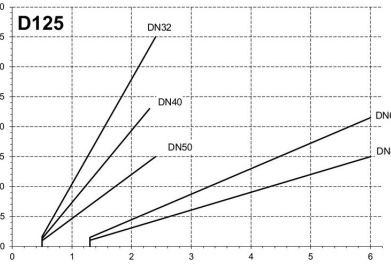
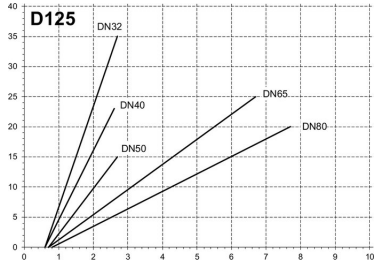
Technical specifications with pressure-relieved poppet cone, Type SE33

Nominal size DN [mm]	max. operating pressure [bar]	Control pressure [bar]	Actuator [mm]	Springs
65	9,4	3,7...10	80	1
65	14	4,6...10	80	2
65	19	5,8...10	80	3
65	9	1,3...10	125	1
65	22,5	2,3...10	125	2
65	25	3,2...10	125	3
65	25	1,5...10	250	4
80	19,5	3,7...10	80	1
80	20	4,6...10	80	2
80	18,5	1,3...10	125	1
80	20	2,3...10	125	2
80	20	1,5...10	250	4

grey shaded: standard



Selection charts - Dependence of operating pressure/control pressure

Spring closing (closing with media flow) NC, Type SE25	spring opens (closing against the media flow) NO, Type SE23
<p>Actuator diameter 50 mm</p> 	<p>Actuator diameter 50 mm</p> 
<p>horizontal axis: control pressure in bar vertical axis: operating pressure in bar</p>	<p>horizontal axis: control pressure in bar vertical axis: operating pressure in bar max. control pressure 1bar above the required pilot pressure</p>
<p>Actuator diameter 80 mm</p> 	<p>Actuator diameter 80 mm</p> 
<p>horizontal axis: control pressure in bar vertical axis: operating pressure in bar</p>	<p>horizontal axis: control pressure in bar vertical axis: operating pressure in bar max. control pressure 0,8bar above the required pilot pressure</p>
<p>Actuator diameter 125 mm</p> 	<p>Actuator diameter 125 mm</p> 
<p>horizontal axis: control pressure in bar vertical axis: operating pressure in bar</p>	<p>horizontal axis: control pressure in bar vertical axis: operating pressure in bar max. control pressure 0,5bar above the required pilot pressure</p>

Illustrations non-binding
Design, dimensional and material changes reserved

Armatures / Valves, butterfly valves and gate valves - automatically operated / Seat valves - pneumatically operated / Pneumatically operated seat valve Series SE23-ST

