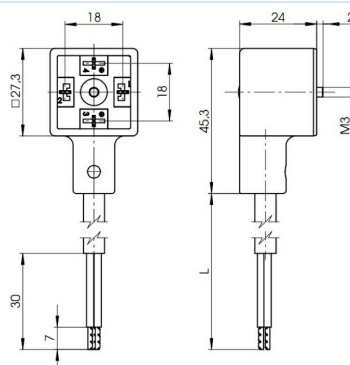


Appliance socket



Design type	Appliance socket according to EN175301-803 Form A, Connector width 32mm
Material	Contact carrier PA6, Housing Polyurethane
Cable	H05VVF black, PVC, Length 2m, Outside diameter 6,2mm, Minimum bending radius 93mm, water-resistant, conditionally oil-resistant
Conductor cross-section	0,75mm ²
Number of poles	2+2PE
Degree of protection	IP67 according to EN 60529
Ambient temperature	-25...90°C
Seal	integrated in the housing
Scope of delivery	incl. mounting screw
Approval	RoHS

Dimensions



Circuit variants

Circuit diagram	Description
	2-pole, without wiring

Description	Voltage	Operating current max.	Type
Appliance socket 2-pole	0...250VAC/DC	10A	C003-31-CV20-6

Illustrations non-binding

Design, dimensional and material changes reserved

