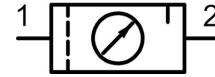


Maintenance unit G3/4" Series MU203



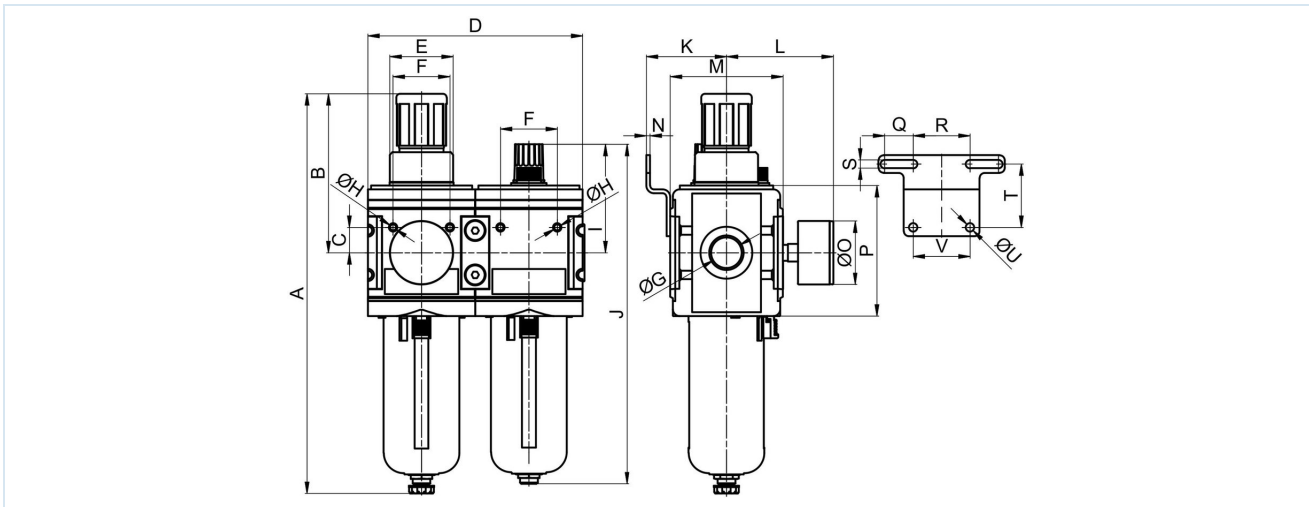
Design type	Diaphragm pressure regulator with secondary venting, Centrifugal force principle filter, Sintered filter element, semi-automatic drain valve, Proportional lubricator and intrinsic air consumption of max. 1,5Nl/min
Function	Pressure regulation with filtration and oil lubrication of the compressed air
Filter element	5µm
Oil metering	1...2 drops/min at QN = 1000 Nl/min
Connection	G3/4" according to ISO228/1
Materials	Housing Zinc die casting, Oil and condensate reservoir Polycarbonate/PA or Metal, Seals NBR, Spring cap POM
Medium	Compressed air
Medium temperature	with plastic bowl 0...+60°C, with metal bowl 0...+60°C (with appropriately conditioned compressed air -10...+60°C)
Ambient temperature	with plastic bowl 0...+60°C, with metal bowl -10...+60°C
Inlet pressure	1,5...16bar
Control ranges	0,1...3/0,2...6/0,5...10 and 0,5...16bar
Flow direction	is marked by an arrow
Mounting type	Installation in piping system or Wall mounting using mounting bracket
Mounting position	vertical, Drain screw bottom
Locking mechanism	Pressure setting can be locked by pressing in the rotary knob
Scope of delivery	including pressure gauge
Oil recommendation	HP32A (Temperature range 0...50°C), NR32 (Temperature range -35...85°C)



Type code

MU203 - 34 H - 0,5/10 - P - A	
Connection	3/4" 34
Flow rate	high flow rate H
Pressure range	0,1...3bar 0,1/3
	0,2...6bar 0,2/6
	0,5...10bar 0,5/10
	0,5...16bar 0,5/16
Reservoir	Plastic reservoir with protective cage P
	Metal container with sight tube M
Drain valve	semi-automatic drain valve (Leave blank)
	automatic drain valve A

Dimensional drawing



Connection G	A	B	C	D	E	F	H	I	J	K	Type
G3/4"	315	125	20	170	M50x1,5	45	M6	86	268	63,5	MU203-34H-P
G3/4"	315	125	20	170	M50x1,5	45	M6	99	281	63,5	MU203-34H-M

L	M	N	O	P	Q	R	S	T	U	V	Type
84,5	89	3	50	103	22,5	45	6,5	50	6,5	45	MU203-34H-P
84,5	89	3	50	103	22,5	45	6,5	50	6,5	45	MU203-34H-M

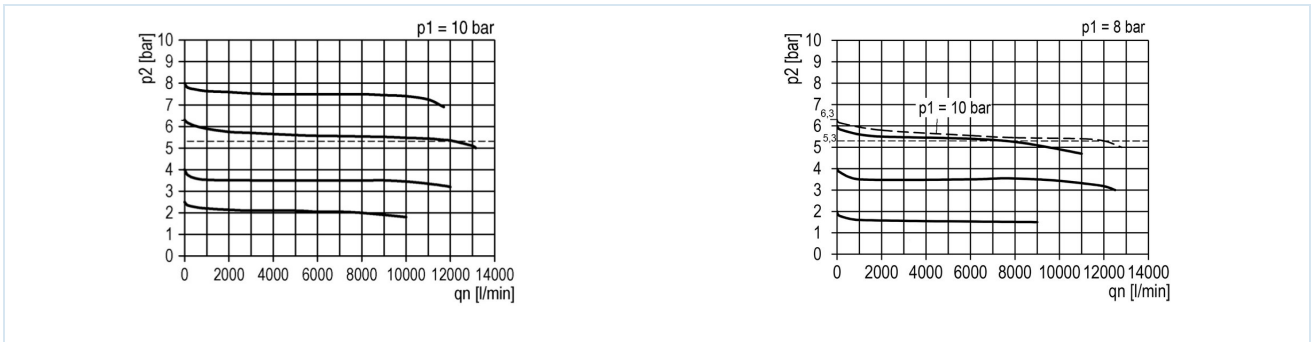
Connection	Flow rate at 6.3 bar* [NI/min]	Flow rate at 6 bar* [NI/min]	max. inlet pressure [bar]	Pressure range [bar]	Weight [approx. kg]	Type
G3/4"	12000	9500	16	0,1...3	2,8	MU203-34H-0,1/3-P
G3/4"	12000	9500	16	0,2...6	2,8	MU203-34H-0,2/6-P
G3/4"	12000	9500	16	0,5...10	2,8	MU203-34H-0,5/10-P
G3/4"	12000	9500	16	0,5...16	2,8	MU203-34H-0,5/16-P
G3/4"	12000	9500	16	0,1...3	3,9	MU203-34H-0,1/3-M
G3/4"	12000	9500	16	0,2...6	3,9	MU203-34H-0,2/6-M
G3/4"	12000	9500	16	0,5...10	3,9	MU203-34H-0,5/10-M
G3/4"	12000	9500	16	0,5...16	3,9	MU203-34H-0,5/16-M

*Flow data at an inlet pressure of 10 bar, outlet pressure of 6.3 bar and 1 bar pressure drop

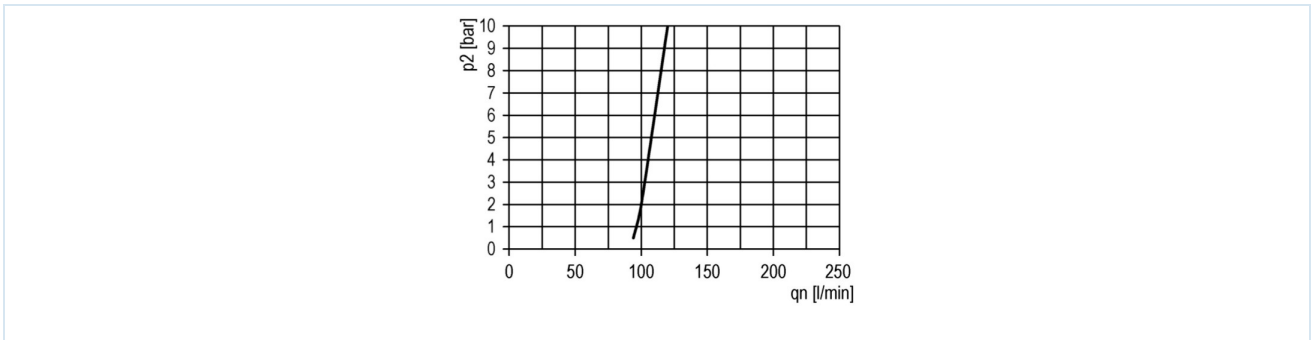
**Flow rate data at an inlet pressure of 8 bar, an outlet pressure of 6 bar and a pressure drop of 1 bar



Flow diagrams for control range 0,5...10 bar



Oiler response threshold



Accessories

Designation	Type
Holding angle bracket with 2 screws	MMB03-34H/10

Illustrations non-binding

Design, dimensional and material changes reserved

