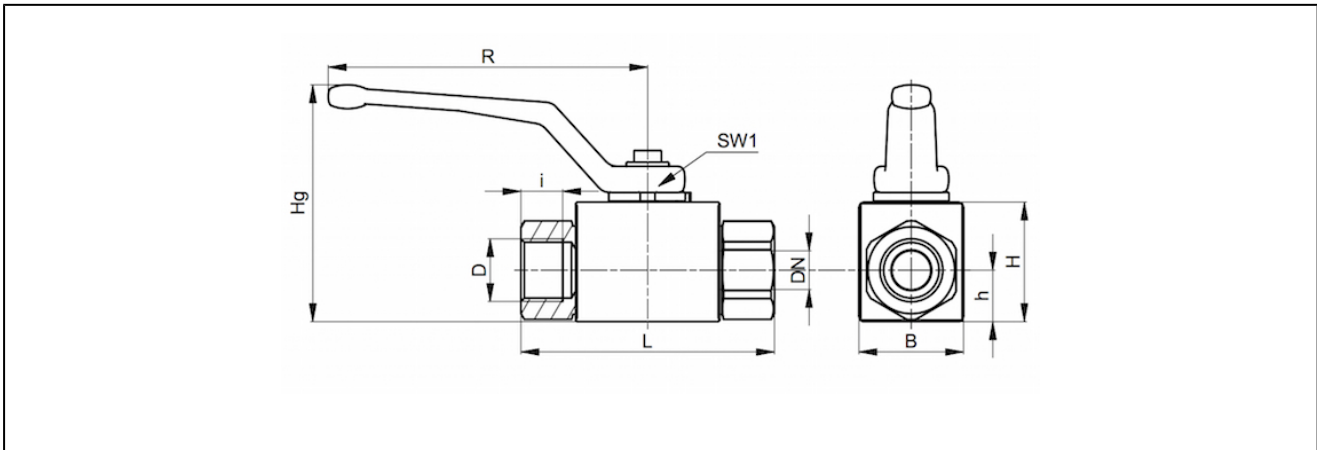


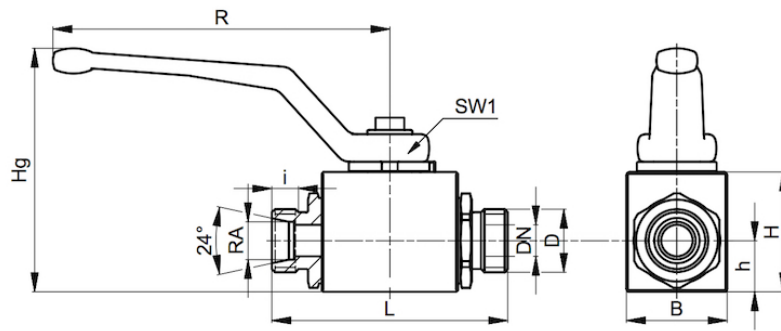
## high pressure balls valve made of stainless steel series BA234, BA102



design	two way ball valve with floating ball
actuation	with 90° turn of the handle
connection	G1/8"... G1 1/2" according to ISO228/1 respectively 6L...42L and 8S...38S according to IEN ISO 8434-1 (DIN 2353)
materials	body, ball AISI 316Ti/AISI 316L, hand lever made of zinc die casting seals BA234: POM/NBR seals BA102: POM/FKM
application	liquids of group 2 according to PED 2014/68/EU, which do not affect the used materials.
medium temperature	BA234 -30...+100°C, BA102 -20...+100°C
operating pressure	nominal pressure according to table up to 80°C, above 80°C 11% pressure reduction
type of fixing	installed into rigid pipework
mounting position	any
special versions	seals made of PTFE, PEEK, gaseous media, ATEX on request
accessories	locking device and limit switch on request



D	nominal diameter DN[mm]	PN [bar]	B	H	h	Hg	i	L	R	SW1	weight [app. kg]	type
G1/8"	5	500	26	33	13,5	82	10	69	115	9	0,41	BA...-18-L
G1/4"	6	500	26	33	13,5	82	14	69	115	9	0,40	BA...-14-L
G3/8"	10	500	32	38	17,5	86	14	72	115	9	0,52	BA...-38-L
G1/2"	13	500	35	40	19	89	16,3	83	115	9	0,65	BA...-12-L
G3/4"	20	350	49	57	24,5	79	18	95	200	14	1,50	BA...-34-L
G1"	25	350	58	65	29,5	87	20	113	200	14	3,62	BA...-10-L
G1 1/4"	25	350	58	65	29,5	87	22	120	200	14	2,30	BA...-114-L
G1 1/2"	25	250	58	65	29,5	87	24	130	200	14	2,60	BA...-112-L



D	nominal diameter DN[mm]	PN [bar]	B	H	h	Hg	i	L	R	RA	SW1	weight [app. kg]	type
M12x1,5	5	500	26	33	13,5	82	7	67	115	6	9	0,36	BA...-6L-L
M14x1,5	6	500	26	33	13,5	82	7	67	115	8	9	0,38	BA...-8L-L
M16x1,5	8	500	26	33	13,5	82	7	74	115	10	9	0,38	BA...-10L-L
M18x1,5	10	500	32	38	17,5	86	7	74	115	12	9	0,51	BA...-12L-L
M22x1,5	13	500	35	40	19	89	7	82	115	15	9	0,61	BA...-15L-L
M26x1,5	13	500	35	40	19	89	7,5	82	115	18	9	0,60	BA...-18L-L
M26x1,5	15	420	38	46	19	106	7,5	82	160	18	12	0,75	BA...-18L-L-01
M30x2	20	420	49	57	24,5	79	7,5	101	200	22	14	1,41	BA...-22L-L
M36x2	25	350	58	65	29,5	87	7,5	108	200	28	14	2,0	BA...-28L-L
M45x2	25	350	58	65	29,5	87	10,5	112	200	35	14	2,12	BA...-35L-L
M52x2	25	350	58	65	29,5	87	11	112	200	42	14	2,27	BA...-42L-L

D	nominal diameter DN[mm]	PN [bar]	B	H	h	Hg	i	L	R	RA	SW1	weight [app. kg]	type
M16x1,5	5	500	26	33	13,5	82	7	73	115	8	9	0,39	BA...-8S-L
M18x1,5	6	500	26	33	13,5	82	7,5	73	115	10	9	0,39	BA...-10S-L
M20x1,5	8	500	26	33	13,5	82	7,5	76	115	12	9	0,39	BA...-12S-L
M22x1,5	10	500	32	38	17,5	86	8	80	115	14	9	0,50	BA...-14S-L
M24x1,5	13	500	35	40	19	89	8,5	86	115	16	9	0,63	BA...-16S-L
M30x2	13	500	35	40	19	89	10,5	90	115	20	9	0,60	BA...-20S-L
M30x2	15	420	39	46	19	106	10,5	90	160	20	12	0,80	BA...-20S-L-01
M36x2	20	420	49	57	24,5	79	12	109	200	25	14	1,59	BA...-25S-L
M42x2	25	350	58	65	29,5	87	13,5	120	200	30	14	2,22	BA...-30S-L
M52x2	25	350	58	65	29,5	87	16	124	200	38	14	2,30	BA...-38S-L

illustrations are non-binding  
all designs, configurations, measurements and materials are subject to change without prior notice