

Butterfly valves with pneumatic rotary actuator Series BUW9, BUWH, double eccentricity



Design type	Wafer butterfly valve with two-piece shaft, Double-offset disc mounting, Shaft secured against blow-out by screw connection
Function	double-acting or single-acting Version
Connection	Flanges according to EN1092
Flange type	Sandwich mounting version: PN10/PN16/PN25/ANSI150 on request Flanged version PN10, PN16, PN25 oder ANSI150
Overall length	according to EN558-1R20
Materials	Actuator: Hard anodized aluminium, Pinion, nickel-plated steel, Piston guide PTFE +15% graphite, Seals FKM Butterfly valve Housing Steel epoxy-coated or Stainless steel 1.4408, Disc Stainless steel 1.4408, Shaft Stainless steel 1.4542
Seal	RTFE (reinforced PTFE), Inconel 625 (metallic)
Application range	lubricating or non-degreasing gaseous and liquid media that do not attack the materials used, other media on request
Medium temperature	-10...+425°C depending on the seal used, see table "Sealing materials"
Ambient temperature	-20...+150°C
Operating pressure	Vacuum max. 30mbar absolute up to max. 25bar, see pressure-temperature diagram
Control medium	filtered and lubricated or non-lubricated compressed air
Control pressure	5,5...8bar, Adaptation to lower control pressures on request
Flow direction	any, preferred flow direction is marked by an arrow
Mounting type	Installation in rigid piping system between two flanges to EN1092, form 11, 21, 34
Mounting position	any
Special version	Body and disc made of duplex or superduplex, Stainless steel pinion, antistatic version ATEX II 2G/D c TX Actuator ATEX II 2G/D c T6, Fire-safe, Ambient temperatures from -40...+85°C, Nominal sizes up to DN300
Accessories	assembled manual, pneumatic or electric control valve electrical end position feedback, Positioner in I/P or P/P version Adjustment of the switching speed, intermediate disengageable gearbox for manual operation



Type code

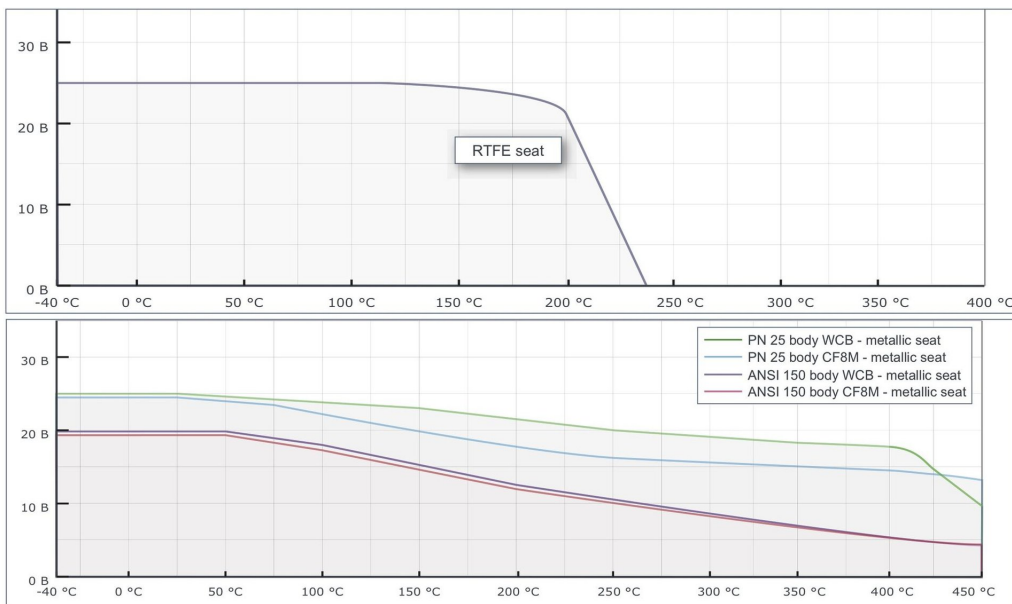
Butterfly valve		BU W 9 -050 -C S I S -D 4 2 - A
Flange version	Flange connection	L
	Sandwich plate	W
Operating pressure / Flange mounting	25bar...PN10/16/25/A150	9
	16bar...PN10/16/25/A150	H
Nominal size	50mm	050
	65mm	065
	80mm	080
	100mm	100
	125mm	125
	150mm	150
	200mm	200
Body	Steel	C
	Stainless steel 1.4408	S
Disc	Stainless steel 1.4408	S
Seal	Inconel 625	I
	RTFE	R
	RTFE/Inconel 625/Graphite - Fire-safe	R2
Shaft	Stainless steel 1.4542	S
Actuation	double-acting Actuator	D
	single-acting Actuator	S
Control pressure / Medium pressure	5,5bar/16bar	1
	5,5bar/25bar	4
Medium	Water	1
	Gases or other liquids	2
	degreasing media	3
Special versions	ATEX	A
	oil- and grease-free	G
	silicone-free	S

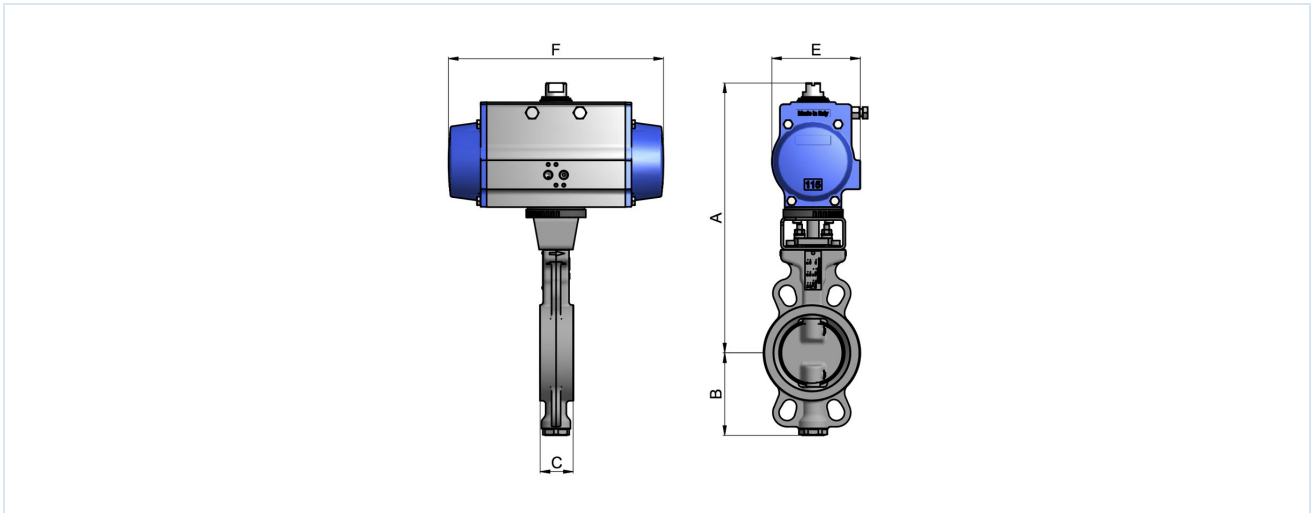
Sealing materials

Material	Medium temperature	Leakage rate
RTFE	-10 (-60)*...+230°C	Class VI-ANSI/FCI70-2
Inconel 625 (metallic)	-10 (-60)*...+425°C	Class V-ANSI/FCI70-2

*lower media temperatures on request

Pressure-temperature diagram





Butterfly valves with double-acting actuator, Control pressure 5,5...8bar

Nominal size DN[mm]	A	B	C	E	F	Actuator type	Weight [approx. kg]	Type Sandwich plate
50	158	81	43	123	275	PAD100H	9,1	BUW9(H)-050-.S.S-D...
65	158	93	46	123	275	PAD100H	9,6	BUW9(H)-065-.S.S-D...
80	193	101	46	137	333	PAD115H	13,8	BUW9(H)-080-.S.S-D...
100	193	128	52	137	333	PAD115H	17	BUW9(H)-100-.S.S-D...
125	205	159	56	148	372	PAD125H	21	BUW9(H)-125-.S.S-D...
150	251	168	56	186	500	PAD160H	35,4	BUW9(H)-150-.S.S-D...
200	308	207	61	217	579	PAD200H	59,1	BUW9(H)-200-.S.S-D...

Kv value [m³/h]

Nominal size DN [mm]	Valve disc opening angle									
	10°	20°	30°	40°	50°	60°	70°	80°	90°	
50	-	5	15	26	36	43	47	51	53	
65	-	11	28	49	74	97	123	139	144	
80	-	17	33	56	85	115	145	164	171	
100	12	43	83	127	187	264	351	447	500	
125	26	71	138	207	300	430	579	760	864	
150	35	91	176	261	377	544	735	974	1112	
200	40	155	309	464	684	1023	1430	2040	2351	

Illustrations non-binding

Design, dimensional and material changes reserved

Armatures / Valves, butterfly valves and gate valves - automatically operated / Butterfly valves - pneumatically operated / Butterfly valve with pneumatic actuator Series BUW9-CSIS-D4

