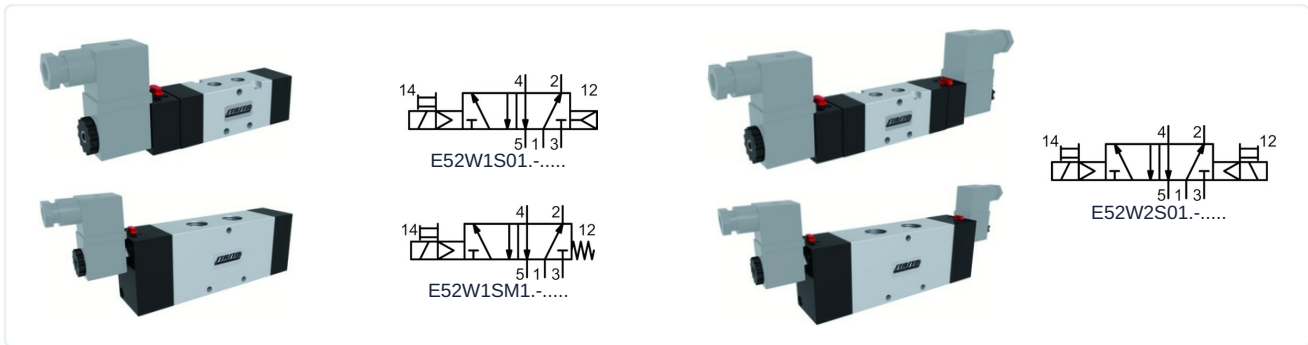


5/2-Way solenoid valve - pilot-operated 1/8" ...1/2" Series E52W



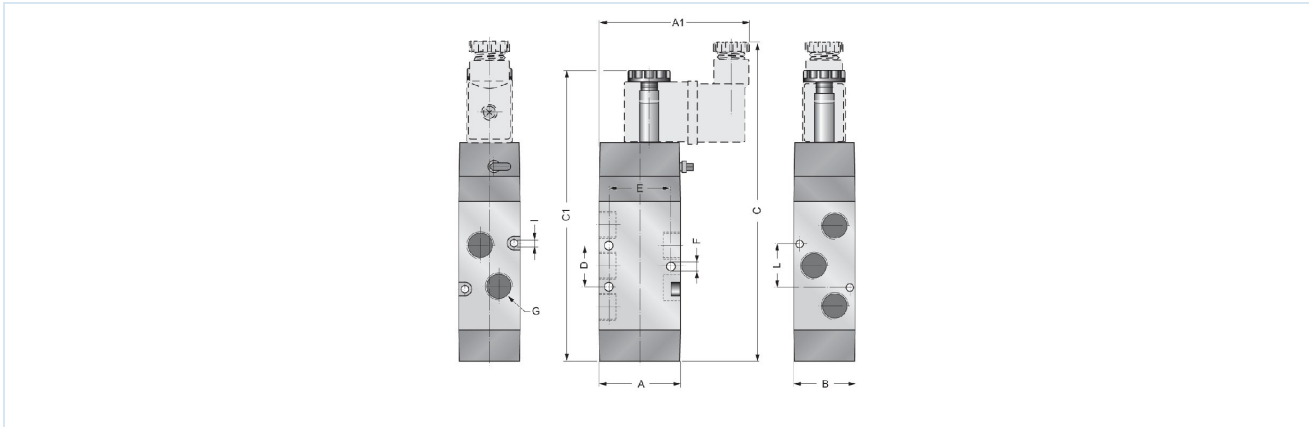
Design type	5/2-way solenoid valve pilot-operated, Actuation electric/internal pilot air, electric/spring or rather electric/electric, Manual emergency override
Connection	G1/8" ...G1/2" according to ISO228/1
Materials	Body Aluminium, Slide valve Nickel-plated aluminium, Seals NBR
Mounting type	Through holes in the valve body
Mounting position	any
Medium	filtered and lubricated or non-lubricated compressed air
Medium temperature	0...+40°C
Ambient temperature	-10...+50°C

Electrical data:

Coil type	Type C001 (Standard coil), Connector width 22mm Type EPC (Coil for ATEX areas with 3 m cable) - Connection 1/8" only for individual valves
Electrical connection	Appliance socket according to industrial form B (see separate data sheet)
Standard voltage	230V/50-60Hz, 24V/50-60Hz / 12VDC, 24VDC / 48V/50-60Hz
Special voltages	115V/50-60Hz, further on request
Permissible voltage fluctuation	± 10%
Power consumption	see table "Solenoid coil"
Duty cycle	100% duty cycle (continuous operation)
Degree of protection	IP65 according to EN 60529 with correctly mounted device connector (Protection against dust ingress and water jets)
Notes:	When ordering, please specify voltage and type of current Technical documentation for base plate see separate data sheet CAD files are available in the STASTO Store at www.stasto.eu



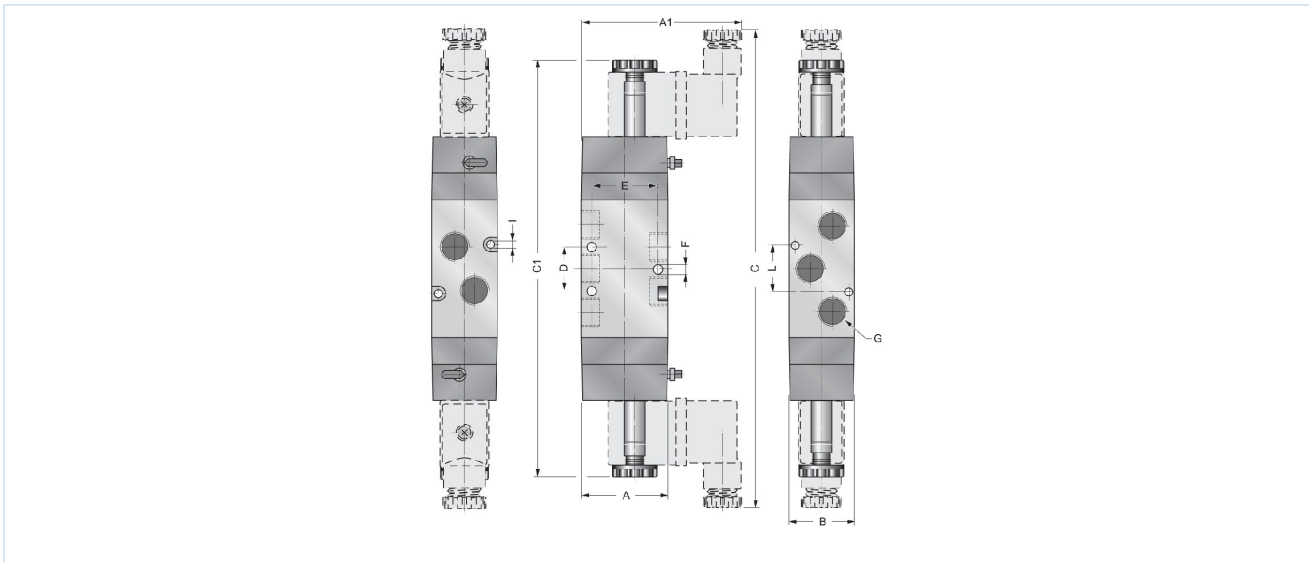
E52W1S . 1 . - Actuation electric/internal pilot air or rather electric/spring



Connection G	Nominal size DN [mm]	Pressure range [bar] E52W1S0 / E52W1SM	A	A1	B	C	C1	D	E	F	I	L	Flow rate* [Nl/min]	Type
G1/8"	6	2,5-10 / 3,2-10	30	63	26	150	136	18	23	4,25	3,25	28,6	650	E52W1S.18
G1/4"	8	2,5-10	40	73	30	158	143	20	30	4,25	3,25	21	1080	E52W1S.14
G1/2"	15	2,5-10	60	60	40	221	207	40	50	5,5	-	-	3500	E52W1S.12

*Reference pressure 6bar, Reference temperature 20°C

E52W2S01 . - Actuation electric/electric

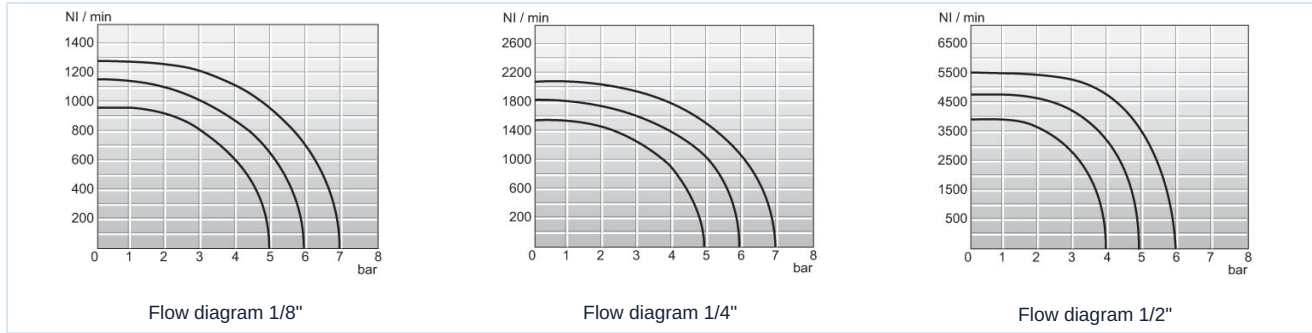


Connection G	Nominal size DN [mm]	Pressure range [bar]	A	A1	B	C	C1	D	E	F	I	L	Flow rate* [Nl/min]	Type
G1/8"	6	1,5-10	30	63	26	215	186	18	23	4,25	3,25	28,6	650	E52W2S018
G1/4"	8	1,5-10	40	73	30	220	191	20	30	4,25	3,25	21	1080	E52W2S014
G1/2"	15	1,5-10	60	60	40	280	252	40	50	5,5	-	-	3500	E52W2S012


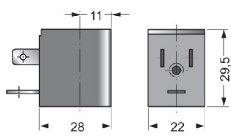

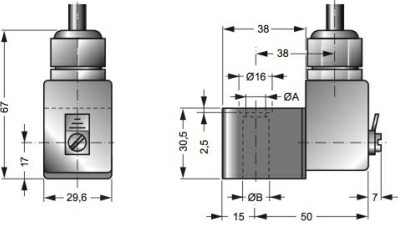
*Reference pressure 6bar, Reference temperature 20°C



Flow diagram



Solenoid coils

		Voltage	Degree of protection	Power consumption at 20°C	Type
		24VDC / 48V/50-60Hz	IP65	3W/5VA	C001-03
		24V/50-60Hz / 12VDC		5VA/3W	C001-04
		230V/50-60Hz		5VA	C001-22
		115V/50-60Hz		5VA	C001-23
		24VDC	Ex II 2G Ex mb IIC T5 Gb Ex II 2D Ex mb tb IIIC T95°C IP66 Db	3,0W	EPC02400
		24V/50-60Hz		3,2W	EPC02450
		110V/50-60Hz		3,2W	EPC11050
		230V/50-60Hz		3,2W	EPC23050

Switching time, nominal max. frequency

Connection G	Switching time [ms]								nominal max. frequency [Hz]			
	E52W1S01.-C001...				E52W1SM1.-C001...				E52W1S01.-C001...		E52W1SM1.-C001...	
	AC ONE	AC EXHAUST	DC ONE	DC EXHAUST	AC ONE	AC EXHAUST	DC ONE	DC EXHAUST	AC	DC	AC	DC
G1/8"	10	20	17	24	17	21	19	34	29	17	13	13
G1/4"	18	33	21	44	19	35	21	46	16	13	11	11
G1/2"	47	58	49	58	47	60	49	60	11	10	8	8

Connection G	Switching time [ms]				nominal max. frequency [Hz]	
	E52W2S01.-C001...				E52W2S01.-C001...	
	AC ONE	AC EXHAUST	DC ONE	DC EXHAUST	AC	DC
G1/8"	10,5	10,5	12,5	12,5	31	22
G1/4"	11	11	14	14	27	21
G1/2"	24	24	28	28	14	13

Illustrations non-binding

Design, dimensional and material changes reserved

Pneumatics / Way-valves - electrically / pneumatically / 3/2- 5/2- 5/3-way valves - series E+V (connector size 22mm) / 5/2-way valve Series E5.

Version 8

138295 / Generated 2026/24 EN

MADE IN EUROPE

+43 512 52076

austria@stasto.eu

© STASTO Automation KG

www.stasto.com

Open series online

Page 3 / 3

