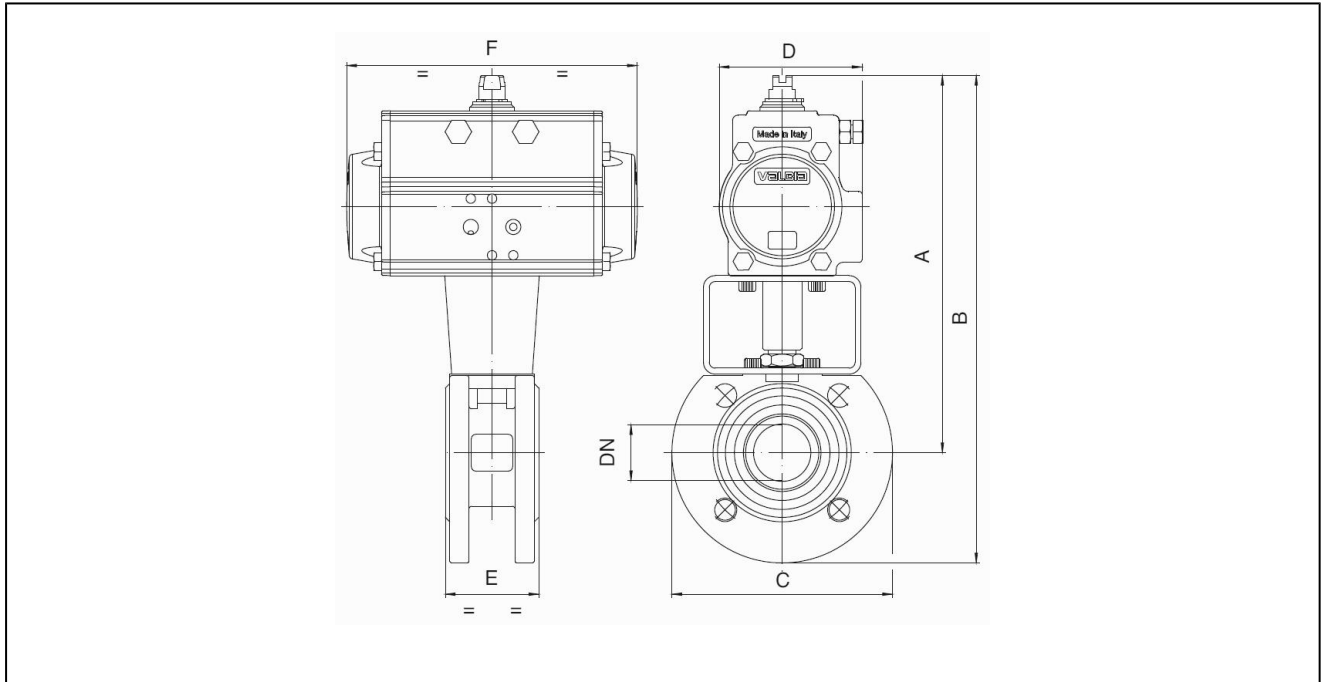


flange ball valve made of stainless steel with pneumatic actuator series BA050, steam applications



design	actuator: piston actuator with 2 counteracting pistons, elastic sealing, actuator complying with ISO 5211 or rather to NAMUR-references, end position +/-5° adjustable on both sides
connection	flange DN15...DN150 according to EN1092-1, PN16
materials	actuator: hard-anodised aluminum, pinion nickel-plated steel, piston guide POM, seals NBR
standard construction	ball valve: body and ball stainless steel AISI 316, ball seats made of graphite reinforced PTFE, stem seals made of graphite reinforced PTFE, stem o-ring FKM
function	delivery in double acting or single acting design
type of fixing	installed into rigid pipework
mounting position	any
control medium	filtered and lubricated or non lubricated compressed air
application	steam
medium temperature	-20...+198°C
ambient temperature	-20...+85°C
control pressure	5,5...8bar, adaptation for lower control pressures on request
operating pressure	steam 0...15bar
special version	pinion made of stainless steel, ATEX, ambient temperatures of -40...+85°C, respectively -20...+150°C on request
accessories	mounted manual, pneumatic or electric control valve electric end position signal, I/P or P/P positioner control of moving speed
order information	in case of order please specify control pressure, operating medium and operating pressure
direction for use	when selecting the armature, the lowest control pressure in the equipment is taken as the basis

dimensions



ball valves with double acting pneumatic actuator

nominal diameter DN[mm]	max. operating pressure [bar]	A	B	C	D	E	F	type of actuator	kv value [m ³ /h]	weight [app. kg]	type
15	15	183	228	90	71	35	141	PAD052	19,2	2,76	BA050-15-D0
20	15	200	250	100	81	40	164	PAD063	35,0	3,89	BA050-20-D0
25	15	207	265	115	81	46	164	PAD063	64,5	4,22	BA050-25-D0
32	15	212	287	140	81	54	164	PAD063	103,8	5,37	BA050-32-D0
40	15	245	320	150	95	63,5	210	PAD075	174,0	7,55	BA050-40-D0
50	15	253	336	165	95	82	210	PAD075	301,3	9,45	BA050-50-D0
65	15	285	378	185	106	103	241	PAD085	547,7	15,4	BA050-65-D0
80	15	304	404	200	123	122	275	PAD100	872,5	20,3	BA050-80-D0
100	15	341	451	220	123	152	275	PAD100	1363,3	28,2	BA050-100-D0
125	15	398	522	250	137	196	333	PAD115	2360,3	51,2	BA050-125-D0
150	15	457	600	285	164	232	435	PAD140	3671,1	80,5	BA050-150-D0

ball valves with single acting pneumatic actuator

nominal diameter DN[mm]	max. operating pressure [bar]	A	B	C	D	E	F	type of actuator	kv value [m ³ /h]	weight [app. kg]	type
15	15	195	239	90	81	35	164	PAS0635	19,2	3,61	BA050-15-S0
20	15	231	281	100	106	40	241	PAS0855	35,0	7,05	BA050-20-S0
25	15	239	296	115	106	46	241	PAS0855	64,5	7,39	BA050-25-S0
32	15	245	315	140	106	54	241	PAS0855	103,8	8,54	BA050-32-S0
40	15	271	346	150	123	63,5	275	PAS1005	174,0	11,8	BA050-40-S0
50	15	315	398	165	137	82	333	PAS1155	301,3	18,1	BA050-50-S0
65	15	365	458	185	148	103	372	PAS1255	547,5	26,4	BA050-65-S0
80	15	394	494	200	164	122	435	PAS1405	872,5	37,5	BA050-80-S0
100	15	434	544	220	186	152	500	PAS1605	1363,3	52,2	BA050-100-S0
125	15	456	581	250	187	196	500	PAS1605	2360,3	71,8	BA050-125-S0
150	15	538	681	285	217	232	579	PAS2005	3671,1	119,7	BA050-150-S0

single acting actuators are delivered normally closed (NC), if not specified in your order.

illustrations are non-binding
all designs, configurations, measurements and materials are subject to change without prior notice