

3/2-Way solenoid valve, direct-acting Series PS125



Design type	3/2-way solenoid poppet valve, Battery valve - expandable as required Actuation electric/spring, Function NC additional with manual emergency override
Connection	G 1/8" according to ISO228/1, Exhaust air venting M5
Materials	Body Aluminium, Seals NBR
Medium	filtered and lubricated or non-lubricated compressed air
Medium temperature	0...+40°C
Ambient temperature	-10...+50°C
Nominal size	1,2mm
Operating pressure	NC 0...10bar / NO 0...6bar
Flow rate	90NI/min
Mounting position	any

Electrical data:

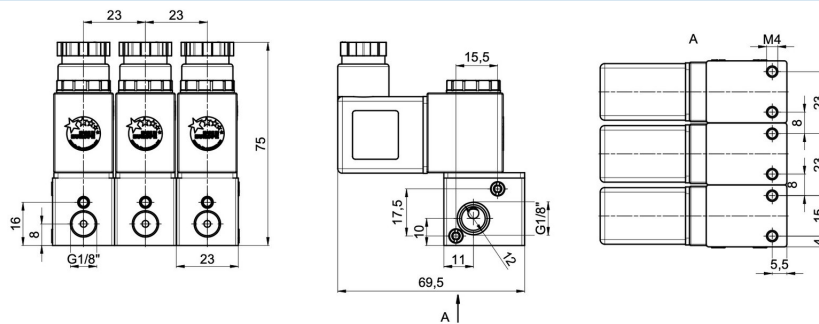
Coil type	Type C001 (Standard coil), Connector width 22mm Type EPC (Coil for ATEX areas with 3 m cable - only for individual valves)
Electrical connection	Appliance socket according to industrial form B (see separate data sheet)
Standard voltage	230V/50-60Hz, 24V/50-60Hz / 12VDC, 24VDC / 48V/50-60Hz
Special voltages	115V/50-60Hz, further on request
Permissible voltage fluctuation	± 10%
Duty cycle	100% duty cycle (continuous operation)
Degree of protection	IP65 according to EN 60529 with correctly mounted device connector (protection against dust ingress and water jets)
Scope of delivery	Single valve incl. Sealing screw TH64C-18-N
Special versions	Nominal size 1,5mm, Function NC without manual emergency override, Function NO Pressure range 0...10bar
Notes	When ordering, please specify voltage and type of current CAD files are available in the STASTO Store at www.stasto.eu



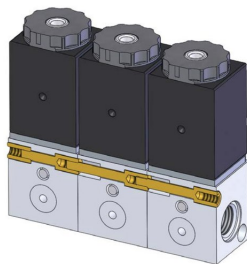
Type code

		PS125 - 18 - 2 - C - M S 22					
Connection	1/8"	18					
	4 etc.	4					
	3	3					
	2	2					
Number of valves	1 (Leave blank)						
	NC			C			
Function	NO			0			
	EPC				E		
Coil	C001				M		
	without device socket (Leave blank)						
	Standard				S		
	with integrated LED and VDR				L		
Appliance socket	with integrated LED, VDR and PVC cable (2 m)				V		
	Coil C001 24VDC / 48V/50-60Hz, Coil EPC 24VDC					03	
	Coil C001 24V/50-60Hz / 12VDC, Coil EPC 24V/50-60Hz					04	
	110V/50-60Hz					13	
	230V/50-60Hz					22	
Voltage	115V/50-60Hz					23	

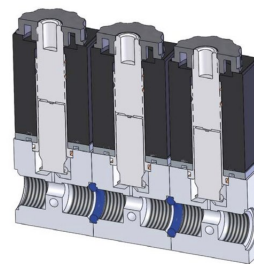
Dimensions Valve manifold



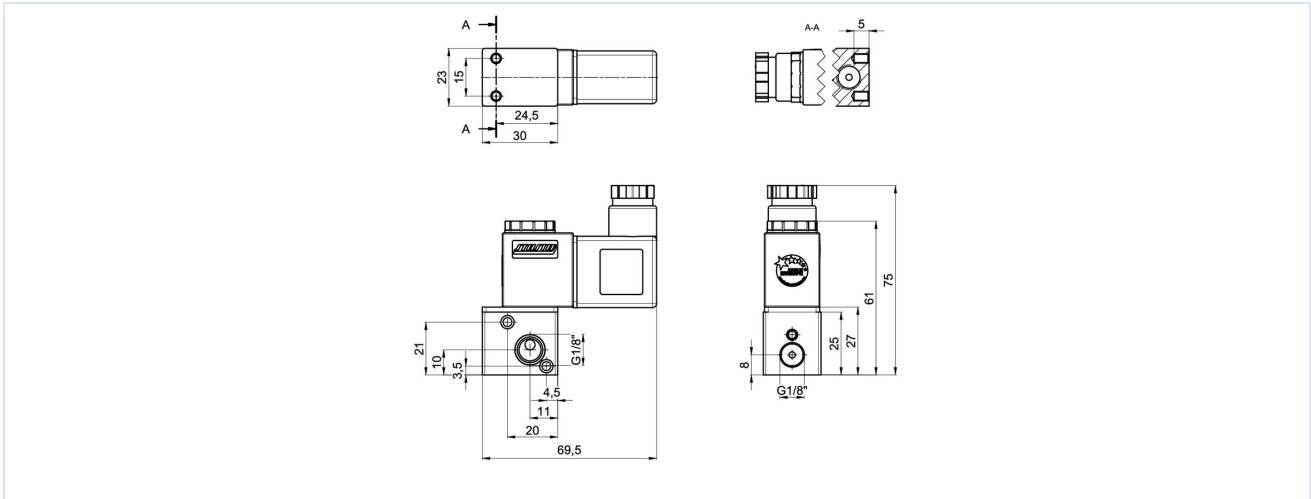
Mounting of the connecting screws



Installation of the O-rings



Dimensions Single valve



Accessories

Connection set for 2 Valves CS-PS125	Connection set for each additional valve CS-PS125-01	Closure for single valve TH64C-18-N
4 Connecting screws, 2 Nuts, 1 O-ring	2 Connecting screws, 1 O-ring	

Solenoid coils

		Voltage	Degree of protection	Power consumption at 20°C	Type
		24VDC / 48V/50-60Hz	IP65	3W/5VA	C001-03
		24V/50-60Hz / 12VDC		5VA/3W	C001-04
		230V/50-60Hz		5VA	C001-22
		115V/50-60Hz		5VA	C001-23
		24VDC	Ex II 2G Ex mb IIC T5 Gb Ex II 2D Ex mb tb IIIC T95°C IP66 Db	3,0W	EPC02400
		24V/50-60Hz		3,2W	EPC02450
		110V/50-60Hz		3,2W	EPC11050
		230V/50-60Hz		3,2W	EPC23050

Illustrations non-binding

Design, dimensional and material changes reserved

Pneumatics / Way-valves - electrically / pneumatically / 3/2-way valves - directly operated / 3/2-way valve Series PS125

Version 7

138280 / Generated 2026/24 EN

MADE IN EUROPE

+43 512 52076

austria@stasto.eu

© STASTO Automation KG

www.stasto.com

Open series online

Page 3 / 3

