



■ SUITABLE FOR

Air, gases and vapours	neutral	
Steam		

■ EXAMPLES OF USE

Vent valve for pipelines, pipeline systems, vessels and heat exchangers, in which the pressure should not fall below atmospheric pressure.

- Vessel emptying
- Protection against vacuum build-up in tanks, piping systems, heat exchangers and vessels in steam plants

■ NOMINAL DIAMETERS, CONNECTIONS, INSTALLATION DIMENSIONS

Type 1960 / 1965: Connection, Installation dimensions, Weight							
		1960			1965		
Nominal diameter	DN	15	20	25	15	20	25
	PN	40					
Screw-in connection thread	G	1/2" (15)	3/4" (20)	1" (25)	1/2" (15)	3/4" (20)	1" (25)
	G1	1/4" (8)	1/2" (15)	3/4" (20)	1/4" (8)	1/2" (15)	3/4" (20)
Installation dimensions in mm	H	55,4	63,4	69	109,4	117	123
	H1	15	17	19	15	17	19
	A	36	52	64	36	52	64
	SW	36	52	64	36	52	64
Weight	kg	0,37	0,80	1,26	0,65	1,31	2
Range of adjustment	mbar	-6	-6	-6	-100 – -800	-100 – -800	-100 – -800

■ MATERIAL



■ SPECIFICATION



1/2" to 1"



-60°C to + 225°C



-6 mbar to -800 mbar

■ MATERIALS

Component	Material	DIN EN	ASME
Inlet body	Brass	CW617N	CW617N
Outlet body	Brass	CW617N	CW617N
Internal parts	Brass	CW617N	CW617N

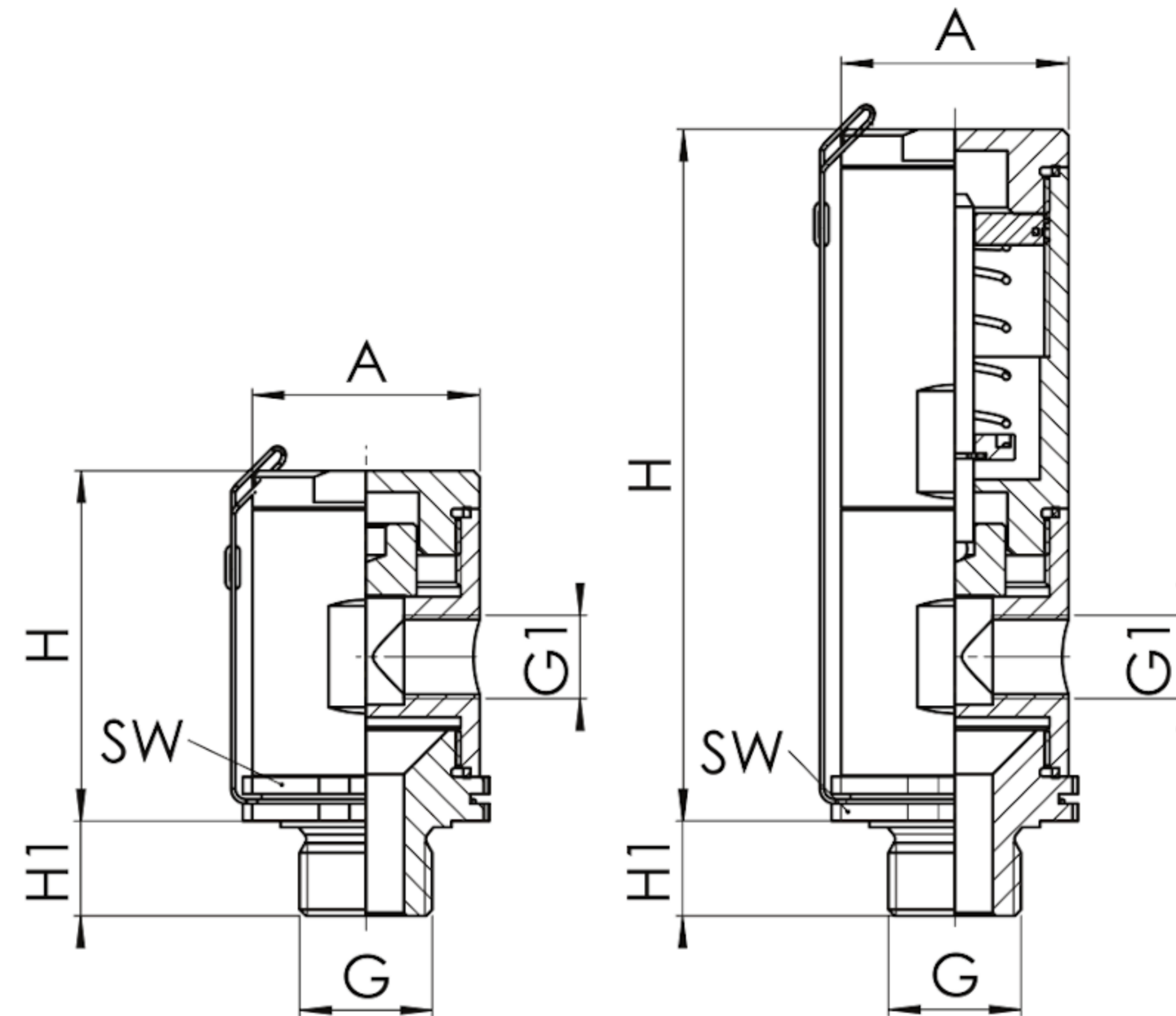
■ THREADED INLET / THREADED SUCTION CONNECTION

m/f	Standard	Male thread BSP-P / Female thread BSP-P	DIN EN ISO 228-1 / DIN EN ISO 228-1
f/f		Female thread BSP-P / Female thread BSP-P	DIN EN ISO 228-1/DIN EN ISO 228-1
NPTm/f		Male thread NPT / Female thread BSP-P	ANSI B 1.20.1/DIN EN ISO 228-1
BSP-Tm/f		Male thread BSP-T / Female thread BSP-P	DIN EN 10226, ISO 7-1/DIN EN ISO 228-1

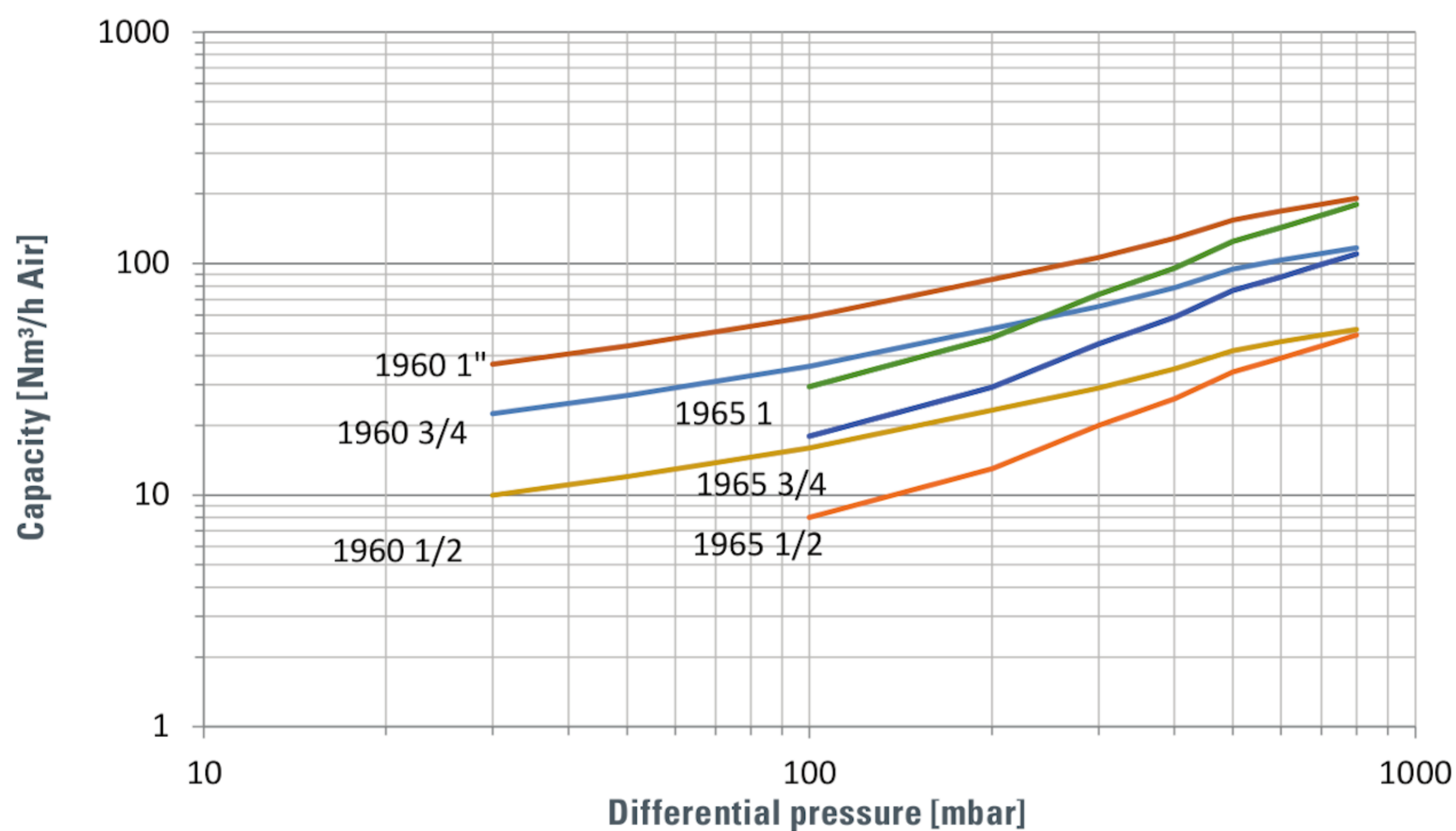
■ SEALS

Primary seal	PTFE	Polytetrafluoroethylene	-60°C to +225°C
Primary seal	MD	Metallic seal	-60°C to +225°C
Secondary seal	PTFE	Polytetrafluoroethylene	-60°C to +225°C

Type 1960/1965 ■ MAIN DIMENSIONS, INSTALLATION DIMENSIONS



■ CAPACITY CHART



Conversion:  $\text{Nm}^3/\text{h} \times \frac{1000}{3600} = \text{NI/s}$

Type 1960 opening at -6 mbar (=0,994 bar abs. )

The flow rate increases with rising differential pressure.

Example size 1":

The flow rate at a differential pressure of 60 mbar amounts to 50 Nm³/h air which corresponds to 13.9 NI/s

The flow rate at a differential pressure of 200 mbar amounts to 82 Nm³/h air which corresponds to 22.8 NI/s

Type 1965 adjustable from -100 up to -800 mbar ( from 0.9 to 0.2 bar abs. )

The flow rate is independent of the set pressure, however it increases with rising differential pressure.

Example size 1/2":

The flow rate at a differential pressure of 100 mbar amounts to 8 Nm³/h air which corresponds to 2.2 NI/s

The flow rate at a differential pressure of 400 mbar amounts to 26 Nm³/h air which corresponds to 7.2 NI/s