

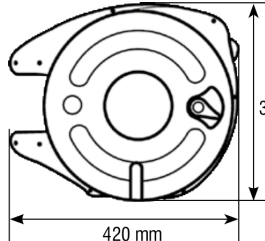

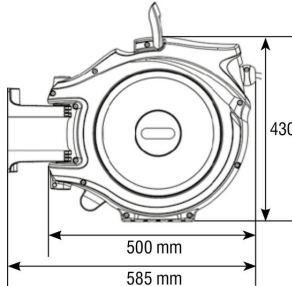

Hose reel



| | |
|--------------------|--|
| Design type | Automatic hose reel for easy wall mounting Impact-resistant, solid and closed polypropylene housing with a lightweight, durable and oil-resistant hose, including Supply hose |
| Color | black |
| Connection | G1/4" Male thread |
| Temperature range | -15...+60°C |
| Operating pressure | max. 10bar |
| Mounting type | Wall mounting |
| Swivel range | 180° |
| Scope of delivery | Hose reel, Compressed air hose 10 or rather 20m, Supply hose 1,5 or rather 2m, Wall bracket |

| Hose outside diameter [mm] | Hose inner diameter [mm] | Hose length [m] | Hose core | Medium | Type |
|----------------------------|--------------------------|-----------------|-------------------|----------------------------|--------------------------|
| 13 | 8 | 10 + 1,5 | PVC | Compressed air | PV-13/8-BK-0010-RM14 |
| 14,5 | 9,5 | 20 + 2 | Polyurethane (PU) | Compressed air and Liquids | PU-14.5/9.5-BK-0020-RM14 |

Dimensions

| PV-13/8-BK-0010-RM14 | | PU-14.5/9.5-BK-0020-RM14 | |
|---|---|--|---|
|  |  |  |  |
| 420 mm | 335 mm | 500 mm | 430 mm |
| | 170 mm | 585 mm | 280 mm |

Illustrations non-binding

Design, dimensional and material changes reserved

Pneumatics / Hoses, Tubes, Manometer and accessories / Hoses with accessories / Hose reel

