

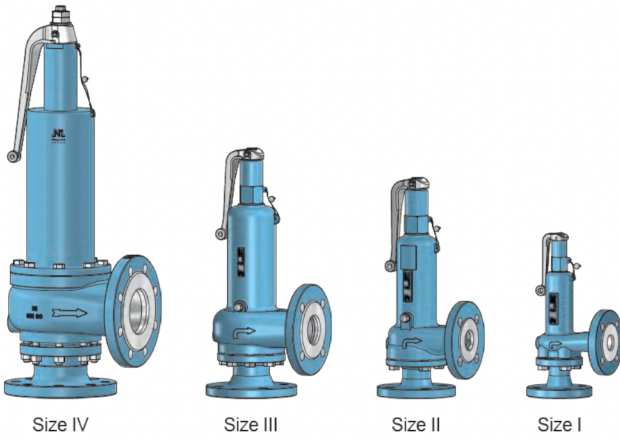
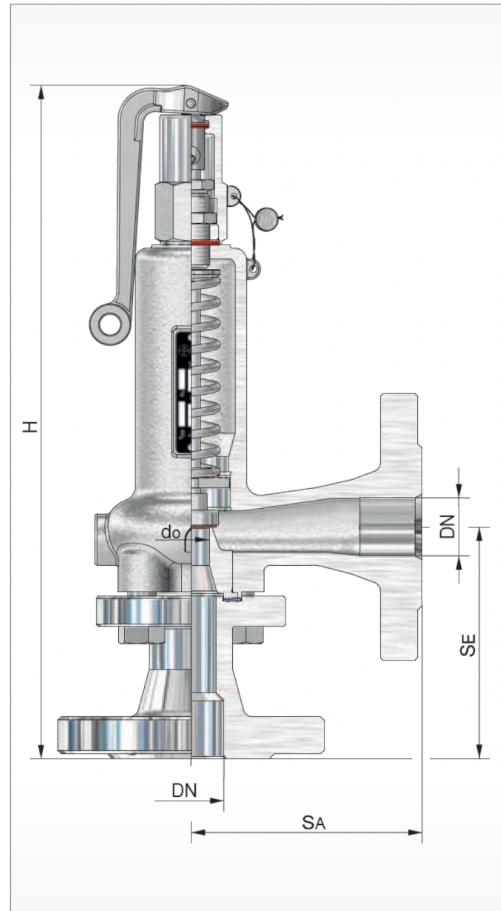
flange-relief valve series RV16

Standard version:

| | | |
|---------------------|--|---|
| Material: | Inlet body / Spring bonnet, outlet body | Temperature ranges metal seated |
| Typ 3.1: | BG I 1.0460 / 0.7043 BG II - IV 1.0460, 1.0619 / 1.0619 | -10°C to 280°C -10°C to 280°C |
| Typ 3.2: | BG I 1.4571 / 1.4581 BG II - IV 1.4571, 1.4581 / 1.4581 | -60°C to 280°C -60°C to 280°C |
| Typ 3.7: | BG I - IV 1.4571 / 1.4308 | -200°C to 280°C |
| Connections: | Flange connections: DIN EN / ASME B16.5 | soft seated see techn. appendix: KWD-1 |

Approvals:

Pressure Equipment Directive: 2014/68/EU
Declaration of Conformity



| Size | Inlet | | | | | Outlet | | | | Height 'H' for head | | Set pressure | | Weight ~ [kg] | |
|------|-------|-------|------------|------------------------------|------------|--------|-------|------------|------------|---------------------|-----------|--------------------|--------------------|------------------|------|
| | DN | NPS | PN / Class | do [mm] | SE [mm] | DN | NPS | PN / Class | SA [mm] | A [mm] | C [mm] | p min. [bar(g)] | p max. [bar(g)] | | |
| I | 15 | 1/2 | 16-320 | 8, 12,5, 16, 18 | 90 | 15 | 1/2 | 16-40 | 90 | 282 | 268 | 0,20 | 300 | 4,3 | |
| | 20 | 3/4 | 150-2500 | | 95 | 20 | 3/4 | 150-300 | 95 | 287 | | 273 | 0,20 | 125 | 4,5 |
| | 25 | 1 | | | 100 | 25 | 1 | | 100 | 292 | | 278 | 0,10 | 40 | 4,6 |
| II | 32 | 1 1/4 | 16-160 | 16, 20, 25 20, 25, 32 | 105 | 32 | 1 1/4 | 16-40 | 105 | 395 | 375 | 0,10 | 90 | 9,6 | |
| | 40 | 1 1/2 | 150-1500 | | 115 | 40 | 1 1/2 | 150-300 | 115 | 405 | | | 385 | 75 | 10,0 |
| III | 50 | 2 | 16-160 | 25, 32, 40 32, 40, 50 | 125 | 50 | 2 | 16-40 | 125 | 450 | 430 | 0,10 | 100 | 15,0 | |
| | 65 | 2 1/2 | 150-1500 | | 145 | 65 | 2 1/2 | 150-300 | 145 | 470 | | | 450 | 0,05 | 40 |
| IV | 80 | 3 | 16-160 | 32, 40, 50, 58 50, 60, 70 | 155 | 80 | 3 | 16-40 | 155 | 700 | 620 | 0,05 | 25 | 36,8 | |
| | 100 | 4 | 150-1500 | | 175 | 100 | 4 | 150 | 175 | 730 | | | | 650 | 40,5 |

other design on request

Discharge capacities

Water at 68°F [10³ kg/h]

| Size | I | | | | | II | | | | | |
|-------------------------|-------|-------|------|------|------|------|------|------|------|------|------|
| DN _{inlet} | 15/20 | 15/25 | 25 | 25 | 25 | 32 | 32 | 32 | 40 | 40 | 40 |
| d _o [mm] | 12,5 | 8 | 12,5 | 16 | 18 | 16 | 20 | 25 | 20 | 25 | 32 |
| α _{W max.} | 0,16 | 0,07 | 0,16 | 0,15 | 0,10 | 0,19 | 0,16 | 0,14 | 0,15 | 0,15 | 0,12 |
| p _e [bar(g)] | | | | | | | | | | | |
| 0,1 | 0,3 | | | 0,5 | 0,4 | | 0,8 | 1,1 | | 1,2 | 1,5 |
| 0,2 | 0,4 | | | 0,7 | 0,6 | | 1,1 | 1,5 | | 1,7 | 2,2 |
| 0,3 | 0,5 | | | 0,8 | 0,7 | | 1,4 | 1,9 | | 2,0 | 2,7 |
| 0,4 | 0,6 | | | 1,0 | 0,8 | | 1,6 | 2,2 | | 2,4 | 3,1 |
| 0,5 | 0,7 | | | 1,1 | 0,9 | | 1,8 | 2,5 | | 2,6 | 3,5 |
| 1,0 | 1,0 | | | 1,5 | 1,3 | | 2,5 | 3,5 | | 3,7 | 4,9 |
| 1,5 | 1,2 | | | 1,9 | 1,6 | | 3,1 | 4,3 | | 4,6 | 6,0 |
| 2,0 | 1,4 | | | 2,2 | 1,8 | | 3,6 | 4,9 | | 5,3 | 6,9 |
| 2,5 | 1,6 | | | 2,4 | 2,0 | | 4,0 | 5,5 | | 5,9 | 7,7 |
| 3,0 | 1,7 | | | 2,6 | 2,2 | | 4,4 | 6,0 | | 6,5 | 8,5 |
| 3,5 | 1,9 | | | 2,9 | 2,4 | | 4,8 | 6,5 | | 7,0 | 9,2 |
| 4,0 | 2,0 | | | 3,1 | 2,6 | | 5,1 | 7,0 | | 7,5 | 9,8 |
| 4,5 | 2,1 | | | 3,2 | 2,7 | | 5,4 | 7,4 | | 7,9 | 10,5 |
| 5 | 2,2 | | | 3,4 | 2,9 | | 5,7 | 7,8 | | 8,4 | 11,0 |
| 6 | 2,4 | | | 3,7 | 3,2 | | 6,2 | 8,5 | | 9,2 | 12,0 |
| 7 | 2,6 | | | 4,0 | 3,4 | | 6,7 | | | 9,9 | |
| 8 | 2,8 | | | 4,3 | 3,6 | | 7,2 | | | 10,5 | |
| 9 | 3,0 | | | 4,6 | 3,9 | | 7,7 | | | 11,0 | |
| 10 | 3,1 | | | 4,8 | 4,1 | | 8,1 | | | 12,0 | |
| 12 | 3,4 | | | 5,3 | 4,5 | | 8,8 | | | 13,0 | |
| 14 | 3,7 | | | 5,7 | 4,8 | | 9,5 | | | 14,0 | |
| 16 | 4,0 | | | 6,1 | 5,2 | | 10,0 | | | 15,0 | |
| 18 | 4,2 | | | 6,5 | 5,5 | | 10,5 | | | 16,0 | |
| 20 | 4,4 | | | 6,8 | 5,8 | | 11,5 | | | 17,0 | |
| 25 | 5,0 | | | 7,7 | | | 13,0 | | | 19,0 | |
| 30 | 5,5 | | | 8,4 | | | 14,0 | | | 20,5 | |
| 35 | 5,9 | | | 9,7 | | | 15,0 | | | 22,0 | |
| 40 | 6,3 | | | | | | 16,0 | | | 24,0 | |
| 45 | 6,7 | | | | | | | | | | |
| 50 | 7,0 | 1,26 | 7,0 | | | | 13,5 | | 18,0 | | |
| 60 | | 1,38 | 7,7 | | | | 15,0 | | 20,0 | | |
| 70 | | 1,50 | 8,3 | | | | 16,0 | | 21,5 | | |
| 80 | | 1,60 | 8,9 | | | | 17,5 | | 23,0 | | |
| 90 | | 1,70 | 9,5 | | | | 18,5 | | 24,0 | | |
| 100 | | 1,79 | 10,0 | | | | 19,5 | | 25,5 | | |
| 110 | | 1,87 | 10,5 | | | | | | | | |
| 120 | | 1,96 | 11,0 | | | | | | | | |
| 130 | | 2,04 | | | | | | | | | |
| 140 | | 2,12 | | | | | | | | | |
| 150 | | 2,19 | | | | | | | | | |
| 160 | | 2,26 | | | | | | | | | |
| 170 | | 2,33 | | | | | | | | | |
| 180 | | 2,40 | | | | | | | | | |
| 190 | | 2,46 | | | | | | | | | |
| 200 | | 2,53 | | | | | | | | | |
| 210 | | 2,59 | | | | | | | | | |
| 220 | | 2,65 | | | | | | | | | |
| 230 | | 2,71 | | | | | | | | | |
| 240 | | 2,77 | | | | | | | | | |
| 250 | | 2,83 | | | | | | | | | |

Discharge capacities

Water at 68°F [10³ kg/h]

| Size | III | | | | | | IV | | | | | | |
|---------------------|------|------|------|------|------|------|------|------|------|------|-------|-------|------|
| DN inlet | 50 | 50 | 50 | 65 | 65 | 65 | 80 | 80 | 80 | 80 | 100 | 100 | 100 |
| d _o [mm] | 25 | 32 | 40 | 32 | 40 | 50 | 32 | 40 | 50 | 58 | 50 | 60 | 70 |
| α _{W max.} | 0,15 | 0,13 | 0,11 | 0,13 | 0,11 | 0,10 | 0,22 | 0,16 | 0,16 | 0,13 | 0,18 | 0,16 | 0,14 |
| pe [bar(g)] | | | | | | | | | | | | | |
| 0,1 | | 1,7 | | | | | | | | | | | |
| 0,2 | | 2,4 | 3,1 | | 3,1 | 4,4 | | 4,6 | 7,1 | 7,8 | 8,0 | 10,0 | 12,0 |
| 0,3 | | 2,9 | 3,8 | | 3,8 | 5,5 | | 5,6 | 8,7 | 9,6 | 9,8 | 12,5 | 15,0 |
| 0,4 | | 3,3 | 4,4 | | 4,4 | 6,3 | | 6,5 | 10,0 | 11,0 | 11,0 | 14,5 | 17,0 |
| 0,5 | | 3,7 | 5,0 | | 5,0 | 7,0 | | 7,2 | 11,0 | 12,3 | 12,5 | 16,0 | 19,5 |
| 1,0 | | 5,3 | 7,0 | | 7,0 | 10,0 | | 10,0 | 16,0 | 17,4 | 18,0 | 23,0 | 27,5 |
| 1,5 | | 6,5 | 8,6 | | 8,6 | 12,0 | | 12,5 | 19,5 | 21,4 | 22,0 | 28,0 | 33,5 |
| 2,0 | | 7,5 | 9,9 | | 9,9 | 14,0 | | 14,5 | 22,5 | 24,7 | 25,5 | 32,5 | 38,5 |
| 2,5 | | 8,4 | 11,0 | | 11,0 | 16,0 | | 16,0 | 25,0 | 27,6 | 28,5 | 36,5 | 43,5 |
| 3,0 | | 9,2 | 12,0 | | 12,0 | 17,5 | | 17,5 | 27,5 | 30,2 | 31,0 | 40,0 | 47,5 |
| 3,5 | | 9,9 | 13,0 | | 13,0 | 18,5 | | 19,0 | 30,0 | 32,7 | 33,5 | 43,0 | 51,0 |
| 4,0 | | 10,5 | 14,0 | | 14,0 | 20,0 | | 20,5 | 32,0 | 34,9 | 36,0 | 46,0 | 55,0 |
| 4,5 | | 11,5 | 15,0 | | 15,0 | 21,0 | | 21,5 | 34,0 | 37,0 | 38,0 | 49,0 | 58,0 |
| 5 | | 12,0 | 15,5 | | 15,5 | 22,5 | | 23,0 | 35,5 | 39,0 | 40,0 | 51,5 | 61,0 |
| 6 | | 13,0 | 17,0 | | 17,0 | 24,5 | | 25,0 | 39,0 | 42,8 | 44,0 | 56,0 | 67,0 |
| 7 | | 14,0 | | | 18,5 | | | 27,0 | 42,0 | | 47,5 | 61,0 | |
| 8 | | 15,0 | | | 20,0 | | | 29,0 | 45,0 | | 51,0 | 65,0 | |
| 9 | | 16,0 | | | 21,0 | | | 30,5 | 48,0 | | 54,0 | 69,0 | |
| 10 | | 17,0 | | | 22,0 | | | 32,0 | 50,5 | | 57,0 | 72,5 | |
| 12 | | 18,5 | | | 24,5 | | | 35,5 | 55,0 | | 62,0 | 79,5 | |
| 14 | | 20,0 | | | 26,5 | | | 38,0 | 60,0 | | 67,0 | 86,0 | |
| 16 | | 21,5 | | | 28,0 | | | 41,0 | 64,0 | | 72,0 | 92,0 | |
| 18 | | 22,5 | | | 30,0 | | | 43,5 | 68,0 | | 76,0 | 97,5 | |
| 20 | | 24,0 | | | 31,5 | | | 45,5 | 71,5 | | 80,5 | 103,0 | |
| 25 | | 26,5 | | | 35,0 | | | 51,0 | 80,0 | | 90,0 | 115,0 | |
| 30 | | 29,0 | | | 38,5 | | | 56,0 | | | 98,5 | | |
| 35 | | 31,5 | | | 41,5 | | | 60,5 | | | 106,0 | | |
| 40 | | 33,5 | | | 44,5 | | | 64,5 | | | 113,0 | | |
| 45 | | | | | | | | | | | | | |
| 50 | 26,5 | | | | 37,5 | | | 63,5 | | | | | |
| 60 | 29,0 | | | | 41,0 | | | 70,0 | | | | | |
| 70 | 31,0 | | | | 44,5 | | | 75,0 | | | | | |
| 80 | 33,5 | | | | 47,5 | | | | | | | | |
| 90 | 35,5 | | | | 50,5 | | | | | | | | |
| 100 | 37,5 | | | | 53,0 | | | | | | | | |
| 110 | | | | | | | | | | | | | |
| 120 | | | | | | | | | | | | | |
| 130 | | | | | | | | | | | | | |
| 140 | | | | | | | | | | | | | |
| 150 | | | | | | | | | | | | | |
| 160 | | | | | | | | | | | | | |
| 170 | | | | | | | | | | | | | |
| 180 | | | | | | | | | | | | | |
| 190 | | | | | | | | | | | | | |
| 200 | | | | | | | | | | | | | |
| 210 | | | | | | | | | | | | | |
| 220 | | | | | | | | | | | | | |
| 230 | | | | | | | | | | | | | |
| 240 | | | | | | | | | | | | | |
| 250 | | | | | | | | | | | | | |

Discharge capacities

Saturated steam [kg/h] / t/h

| Size | I | | | | | II | | | | | |
|-------------------|-------|-------|------|------|------|------|------|------|------|------|------|
| DN Inlet | 15/20 | 15/20 | 25 | 25 | 25 | 32 | 32 | 32 | 40 | 40 | 40 |
| do [mm] | 12,5 | 8 | 12,5 | 16 | 18 | 16 | 20 | 25 | 20 | 25 | 32 |
| $\alpha_{W \max}$ | 0,23 | 0,10 | 0,23 | 0,19 | 0,14 | 0,27 | 0,23 | 0,19 | 0,23 | 0,20 | 0,17 |
| pe [bar(g)] | | | | | | | | | | | |
| 0,4 | 16 | | | 23 | 20 | | 41 | 54 | | 58 | 77 |
| 0,5 | 18 | | | 26 | 23 | | 46 | 61 | | 65 | 87 |
| 0,6 | 20 | | | 29 | 25 | | 51 | 67 | | 71 | 96 |
| 0,7 | 22 | | | 31 | 27 | | 56 | 72 | | 77 | 104 |
| 0,8 | 23 | | | 33 | 30 | | 60 | 78 | | 83 | 112 |
| 0,9 | 25 | | | 35 | 32 | | 65 | 83 | | 88 | 120 |
| 1,0 | 27 | | | 38 | 34 | | 69 | 89 | | 94 | 128 |
| 1,5 | 36 | | | 49 | 45 | | 91 | 116 | | 123 | 169 |
| 2,0 | 44 | | | 60 | 55 | | 113 | 144 | | 152 | 210 |
| 2,5 | 52 | | | 71 | 66 | | 134 | 171 | | 180 | 250 |
| 3,0 | 60 | | | 81 | 75 | | 153 | 197 | | 207 | 289 |
| 3,5 | 67 | | | 90 | 84 | | 171 | 221 | | 232 | 324 |
| 4,0 | 74 | | | 100 | 93 | | 189 | 245 | | 257 | 359 |
| 4,5 | 81 | | | 110 | 102 | | 208 | 268 | | 282 | 393 |
| 5 | 88 | | | 119 | 111 | | 226 | 292 | | 307 | 428 |
| 6 | 102 | | | 139 | 129 | | 263 | 339 | | 357 | 497 |
| 7 | 117 | | | 158 | 147 | | 299 | | | 406 | |
| 8 | 131 | | | 177 | 165 | | 335 | | | 456 | |
| 9 | 145 | | | 196 | 183 | | 371 | | | 505 | |
| 10 | 159 | | | 215 | 201 | | 408 | | | 554 | |
| 12 | 187 | | | 254 | 237 | | 480 | | | 652 | |
| 14 | 215 | | | 292 | 272 | | 552 | | | 750 | |
| 16 | 244 | | | 330 | 308 | | 624 | | | 848 | |
| 18 | 272 | | | 368 | 343 | | 696 | | | 956 | |
| 20 | 300 | | | 406 | 379 | | 768 | | | 1040 | |
| 25 | 370 | | | 501 | | | 948 | | | 1290 | |
| 30 | 441 | | | 597 | | | 1130 | | | 1530 | |
| 35 | 512 | | | 693 | | | 1310 | | | 1780 | |
| 40 | 583 | | | 789 | | | 1490 | | | 2030 | |
| 45 | 655 | | | | | | | | | | |
| 50 | 727 | 129 | 727 | | | 1400 | | | 1860 | | |
| 60 | | 155 | 873 | | | 1680 | | | 2230 | | |
| 70 | | 183 | 1030 | | | 1980 | | | 2640 | | |
| 80 | | 209 | 1170 | | | 2250 | | | 3000 | | |
| 90 | | 236 | 1330 | | | 2550 | | | 3400 | | |
| 100 | | 264 | 1480 | | | 2860 | | | 3800 | | |
| 110 | | 293 | 1650 | | | | | | | | |
| 120 | | 323 | 1820 | | | | | | | | |
| 130 | | 354 | | | | | | | | | |
| 140 | | 387 | | | | | | | | | |
| 150 | | 422 | | | | | | | | | |
| 160 | | 459 | | | | | | | | | |
| 170 | | 499 | | | | | | | | | |
| 180 | | 542 | | | | | | | | | |
| 190 | | 590 | | | | | | | | | |
| 200 | | 647 | | | | | | | | | |
| 210 | | 718 | | | | | | | | | |
| 220 | | 925 | | | | | | | | | |
| 230 | | | | | | | | | | | |
| 240 | | | | | | | | | | | |
| 250 | | | | | | | | | | | |

on request

Discharge capacities

Saturated steam [kg/h] / t/h

| Size | III | | | | | | IV | | | | | | |
|---------------------|------|------|------|------|------|------|------|------|------|------|-------|------|------|
| DN _{Inlet} | 50 | 50 | 50 | 65 | 65 | 65 | 80 | 80 | 80 | 80 | 100 | 100 | 100 |
| d _o [mm] | 25 | 32 | 40 | 32 | 40 | 50 | 32 | 40 | 50 | 58 | 50 | 60 | 70 |
| Q _{W max.} | 0,21 | 0,18 | 0,15 | 0,18 | 0,16 | 0,14 | 0,30 | 0,22 | 0,22 | 0,18 | 0,25 | 0,22 | 0,19 |
| pe [bar(g)] | kg/h | | | | | | t/h | | | | | | |
| 0,4 | | 83 | 110 | | 112 | 158 | | 0,16 | 0,25 | 0,27 | 0,28 | 0,36 | 0,43 |
| 0,5 | | 93 | 124 | | 126 | 178 | | 0,18 | 0,28 | 0,31 | 0,32 | 0,40 | 0,48 |
| 0,6 | | 103 | 136 | | 139 | 196 | | 0,19 | 0,30 | 0,34 | 0,35 | 0,44 | 0,52 |
| 0,7 | | 111 | 148 | | 151 | 213 | | 0,21 | 0,33 | 0,36 | 0,38 | 0,47 | 0,57 |
| 0,8 | | 120 | 159 | | 162 | 229 | | 0,23 | 0,35 | 0,39 | 0,41 | 0,51 | 0,61 |
| 0,9 | | 128 | 170 | | 174 | 245 | | 0,24 | 0,38 | 0,42 | 0,44 | 0,54 | 0,65 |
| 1,0 | | 136 | 181 | | 186 | 262 | | 0,26 | 0,40 | 0,45 | 0,47 | 0,58 | 0,69 |
| 1,5 | | 179 | 238 | | 247 | 346 | | 0,34 | 0,53 | 0,59 | 0,62 | 0,76 | 0,91 |
| 2,0 | | 223 | 295 | | 308 | 429 | | 0,42 | 0,66 | 0,73 | 0,77 | 0,95 | 1,10 |
| 2,5 | | 265 | 349 | | 368 | 508 | | 0,50 | 0,79 | 0,87 | 0,91 | 1,10 | 1,30 |
| 3,0 | | 306 | 398 | | 425 | 581 | | 0,58 | 0,91 | 1,00 | 1,00 | 1,30 | 1,50 |
| 3,5 | | 343 | 446 | | 476 | 651 | | 0,65 | 1,00 | 1,10 | 1,10 | 1,50 | 1,70 |
| 4,0 | | 380 | 494 | | 527 | 721 | | 0,72 | 1,10 | 1,20 | 1,30 | 1,60 | 1,90 |
| 4,5 | | 416 | 542 | | 578 | 791 | | 0,79 | 1,20 | 1,40 | 1,40 | 1,80 | 2,10 |
| 5 | | 453 | 590 | | 629 | 661 | | 0,86 | 1,30 | 1,50 | 1,50 | 1,90 | 2,30 |
| 6 | | 526 | 685 | | 731 | 999 | | 1,00 | 1,60 | 1,70 | 1,80 | 2,20 | 2,60 |
| 7 | | 599 | | | 832 | | | 1,10 | 1,80 | | 2,00 | 2,60 | |
| 8 | | 672 | | | 933 | | | 1,30 | 2,00 | | 2,30 | 2,90 | |
| 9 | | 744 | | | 1030 | | | 1,40 | 2,20 | | 2,50 | 3,20 | |
| 10 | | 817 | | | 1130 | | | 1,50 | 2,40 | | 2,80 | 3,50 | |
| 12 | | 962 | | | 1330 | | | 1,80 | 2,90 | | 3,20 | 4,10 | |
| 14 | | 1100 | | | 1530 | | | 2,10 | 3,30 | | 3,70 | 4,70 | |
| 16 | | 1250 | | | 1740 | | | 2,40 | 3,70 | | 4,20 | 5,40 | |
| 18 | | 1390 | | | 1930 | | | 2,60 | 4,10 | | 4,70 | 6,00 | |
| 20 | | 1540 | | | 2140 | | | 2,90 | 4,60 | | 5,20 | 6,60 | |
| 25 | | 1900 | | | 2640 | | | 6,60 | 5,70 | | 6,40 | 8,10 | |
| 30 | | 2260 | | | 3140 | | | 4,30 | | | 7,70 | | |
| 35 | | 2620 | | | 3640 | | | 5,00 | | | 8,90 | | |
| 40 | | 2990 | | | 4150 | | | 5,70 | | | 10,00 | | |
| 45 | | | | | | | | | | | | | |
| 50 | 2650 | | | 3730 | | | 6210 | | | | | | |
| 60 | 3190 | | | 4480 | | | 7460 | | | | | | |
| 70 | 3760 | | | 5280 | | | 8800 | | | | | | |
| 80 | 4280 | | | 6010 | | | | | | | | | |
| 90 | 4850 | | | 6810 | | | | | | | | | |
| 100 | 5430 | | | 7620 | | | | | | | | | |
| 110 | | | | | | | | | | | | | |
| 120 | | | | | | | | | | | | | |
| 130 | | | | | | | | | | | | | |
| 140 | | | | | | | | | | | | | |
| 150 | | | | | | | | | | | | | |
| 160 | | | | | | | | | | | | | |
| 170 | | | | | | | | | | | | | |
| 180 | | | | | | | | | | | | | |
| 190 | | | | | | | | | | | | | |
| 200 | | | | | | | | | | | | | |
| 210 | | | | | | | | | | | | | |
| 220 | | | | | | | | | | | | | |
| 230 | | | | | | | | | | | | | |
| 240 | | | | | | | | | | | | | |
| 250 | | | | | | | | | | | | | |

on request

Discharge capacities

Air at 32°F [m_n^3/h]

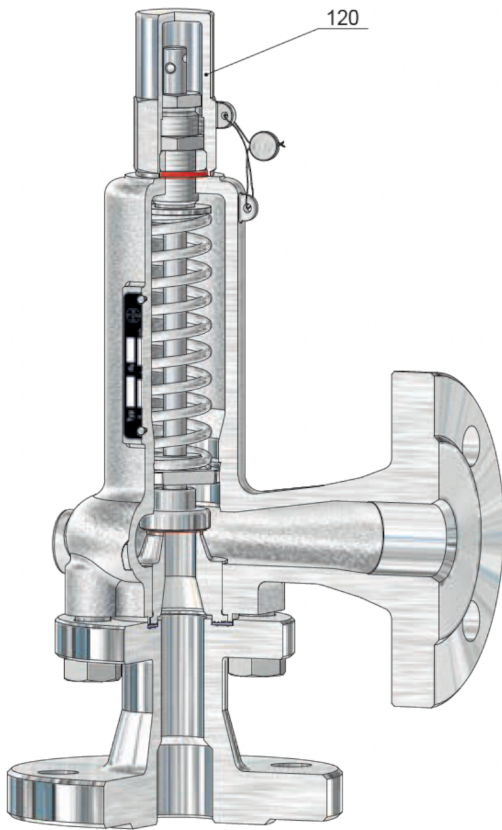
| Size | I | | | | | II | | | | | |
|-------------------------|-------|-------|------|------|------|------|------|------|------|------|------|
| DN inlet | 15/20 | 15/20 | 25 | 25 | 25 | 32 | 32 | 32 | 40 | 40 | 40 |
| d _o [mm] | 8 | 12,5 | 12,5 | 16 | 18 | 16 | 20 | 25 | 20 | 25 | 32 |
| α _{W max.} | 0,10 | 0,23 | 0,23 | 0,19 | 0,14 | 0,27 | 0,23 | 0,19 | 0,23 | 0,20 | 0,17 |
| p _e [bar(g)] | | | | | | | | | | | |
| 0,1 | | 9 | | 14 | 12 | | 23 | 31 | | 33 | 44 |
| 0,2 | | 13 | | 20 | 17 | | 33 | 45 | | 48 | 64 |
| 0,3 | | 16 | | 24 | 21 | | 42 | 56 | | 60 | 80 |
| 0,4 | | 19 | | 28 | 25 | | 50 | 66 | | 70 | 94 |
| 0,5 | | 22 | | 32 | 28 | | 57 | 75 | | 79 | 107 |
| 1,0 | | 34 | | 48 | 43 | | 87 | 112 | | 119 | 162 |
| 1,5 | | 45 | | 62 | 57 | | 117 | 148 | | 156 | 215 |
| 2,0 | | 57 | | 77 | 71 | | 146 | 184 | | 195 | 269 |
| 2,5 | | 67 | | 91 | 85 | | 173 | 221 | | 232 | 323 |
| 3,0 | | 77 | | 104 | 97 | | 198 | 255 | | 269 | 374 |
| 3,5 | | 87 | | 117 | 109 | | 222 | 287 | | 302 | 421 |
| 4,0 | | 96 | | 130 | 122 | | 247 | 319 | | 336 | 467 |
| 4,5 | | 106 | | 144 | 134 | | 272 | 351 | | 369 | 514 |
| 5 | | 116 | | 157 | 146 | | 296 | 383 | | 403 | 561 |
| 6 | | 135 | | 183 | 170 | | 346 | 446 | | 470 | 654 |
| 7 | | 154 | | 209 | 195 | | 395 | | | 537 | |
| 8 | | 174 | | 235 | 219 | | 445 | | | 604 | |
| 9 | | 193 | | 261 | 243 | | 494 | | | 671 | |
| 10 | | 212 | | 287 | 268 | | 544 | | | 739 | |
| 12 | | 251 | | 340 | 317 | | 643 | | | 873 | |
| 14 | | 290 | | 392 | 366 | | 742 | | | 1010 | |
| 16 | | 328 | | 445 | 415 | | 841 | | | 1140 | |
| 18 | | 367 | | 497 | 464 | | 940 | | | 1280 | |
| 20 | | 406 | | 550 | 513 | | 1040 | | | 1410 | |
| 25 | | 503 | | 681 | | | 1290 | | | 1750 | |
| 30 | | 601 | | 813 | | | 1540 | | | 2090 | |
| 35 | | 698 | | 945 | | | 1790 | | | 2430 | |
| 40 | | 796 | | 1080 | | | 2040 | | | 2770 | |
| 45 | | 894 | | | | | | | | | |
| 50 | 176 | 991 | 991 | | | 1910 | | | 2540 | | |
| 60 | 211 | | 1190 | | | 2280 | | | 3040 | | |
| 70 | 246 | | 1380 | | | 2660 | | | 3540 | | |
| 80 | 281 | | 1580 | | | 3030 | | | 4040 | | |
| 90 | 316 | | 1770 | | | 3410 | | | 4540 | | |
| 100 | 350 | | 1970 | | | 3780 | | | 5040 | | |
| 110 | 385 | | 2160 | | | | | | | | |
| 120 | 419 | | 2350 | | | | | | | | |
| 130 | 453 | | | | | | | | | | |
| 140 | 487 | | | | | | | | | | |
| 150 | 521 | | | | | | | | | | |
| 160 | 554 | | | | | | | | | | |
| 170 | 587 | | | | | | | | | | |
| 180 | 620 | | | | | | | | | | |
| 190 | 652 | | | | | | | | | | |
| 200 | 684 | | | | | | | | | | |
| 210 | 716 | | | | | | | | | | |
| 220 | 748 | | | | | | | | | | |
| 230 | 779 | | | | | | | | | | |
| 240 | 810 | | | | | | | | | | |
| 250 | 840 | | | | | | | | | | |

Discharge capacities

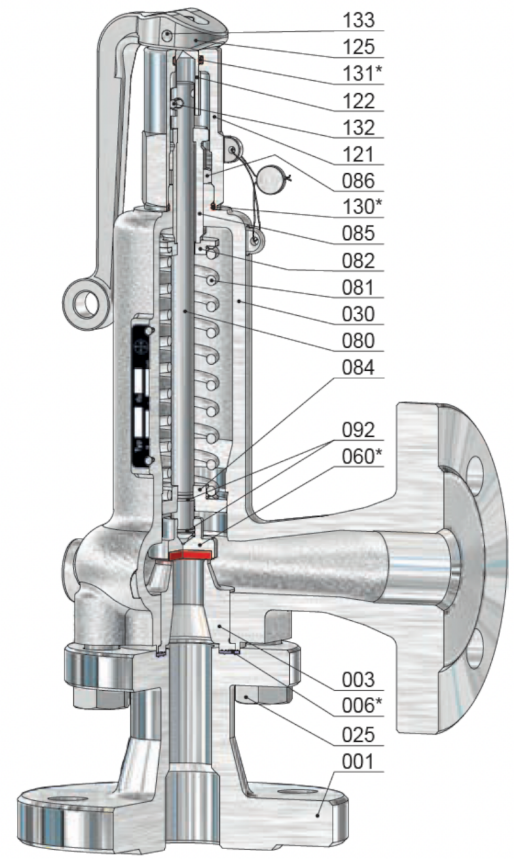
Air at 32°F [m_n^3/h]

| Size | III | | | | | | IV | | | | | | |
|---------------------|------|------|------|-------|------|------|-------|------|------|------|-------|-------|------|
| DN Inlet | 50 | 50 | 50 | 65 | 65 | 65 | 80 | 80 | 80 | 80 | 100 | 100 | 100 |
| d _o [mm] | 25 | 32 | 40 | 32 | 40 | 50 | 32 | 40 | 50 | 58 | 50 | 60 | 70 |
| α _{W max.} | 0,21 | 0,18 | 0,15 | 0,18 | 0,16 | 0,14 | 0,30 | 0,22 | 0,22 | 0,18 | 0,25 | 0,22 | 0,19 |
| pe [bar(g)] | | | | | | | | | | | | | |
| 0,1 | | 48 | | | | | | | | | | | |
| 0,2 | | 69 | 91 | | 92 | 130 | | 132 | 206 | 226 | 235 | 296 | 354 |
| 0,3 | | 86 | 114 | | 115 | 163 | | 164 | 256 | 282 | 294 | 369 | 440 |
| 0,4 | | 101 | 134 | | 135 | 192 | | 192 | 300 | 331 | 346 | 432 | 517 |
| 0,5 | | 114 | 152 | | 154 | 218 | | 218 | 340 | 376 | 395 | 490 | 586 |
| 1,0 | | 173 | 230 | | 236 | 332 | | 327 | 512 | 569 | 601 | 737 | 881 |
| 1,5 | | 229 | 304 | | 315 | 441 | | 433 | 676 | 752 | 798 | 974 | 1160 |
| 2,0 | | 286 | 378 | | 395 | 550 | | 542 | 846 | 940 | 992 | 1220 | 1450 |
| 2,5 | | 342 | 450 | | 475 | 656 | | 650 | 1010 | 1120 | 1170 | 1460 | 1730 |
| 3,0 | | 396 | 516 | | 550 | 752 | | 757 | 1180 | 1300 | 1340 | 1700 | 2000 |
| 3,5 | | 445 | 580 | | 619 | 846 | | 851 | 1330 | 1460 | 1510 | 1910 | 2250 |
| 4,0 | | 495 | 644 | | 687 | 940 | | 945 | 1480 | 1620 | 1680 | 2130 | 2500 |
| 4,5 | | 544 | 709 | | 756 | 1030 | | 1040 | 1620 | 1790 | 1840 | 2340 | 2750 |
| 5 | | 594 | 773 | | 825 | 1130 | | 1130 | 1770 | 1950 | 2010 | 2550 | 3000 |
| 6 | | 693 | 902 | | 962 | 1310 | | 1320 | 2070 | 2270 | 2350 | 2980 | 3500 |
| 7 | | 792 | | | 1100 | | | 1510 | 2360 | | 2680 | 3400 | |
| 8 | | 891 | | | 1240 | | | 1700 | 2660 | | 3020 | 3830 | |
| 9 | | 990 | | | 1370 | | | 1890 | 2950 | | 3360 | 4250 | |
| 10 | | 1090 | | | 1510 | | | 2080 | 3250 | | 3690 | 4680 | |
| 12 | | 1290 | | | 1790 | | | 2460 | 3850 | | 4370 | 5530 | |
| 14 | | 1480 | | | 2060 | | | 2840 | 4430 | | 5040 | 6390 | |
| 16 | | 1680 | | | 2340 | | | 3220 | 5030 | | 5710 | 7240 | |
| 18 | | 1880 | | | 2620 | | | 3600 | 5620 | | 6390 | 8100 | |
| 20 | | 2080 | | | 2890 | | | 3980 | 6220 | | 7060 | 8950 | |
| 25 | | 2580 | | | 3580 | | | 4930 | 7700 | | 8750 | 11100 | |
| 30 | | 3080 | | | 4280 | | | 5880 | | | 10400 | | |
| 35 | | 3580 | | | 4970 | | | 6840 | | | 12100 | | |
| 40 | | 4080 | | | 5670 | | | 7790 | | | 13800 | | |
| 45 | | | | | | | | | | | | | |
| 50 | 3620 | | | 5080 | | | 8470 | | | | | | |
| 60 | 4330 | | | 6090 | | | 10100 | | | | | | |
| 70 | 5050 | | | 7090 | | | 10800 | | | | | | |
| 80 | 5760 | | | 8090 | | | | | | | | | |
| 90 | 6470 | | | 9090 | | | | | | | | | |
| 100 | 7180 | | | 10100 | | | | | | | | | |
| 110 | | | | | | | | | | | | | |
| 120 | | | | | | | | | | | | | |
| 130 | | | | | | | | | | | | | |
| 140 | | | | | | | | | | | | | |
| 150 | | | | | | | | | | | | | |
| 160 | | | | | | | | | | | | | |
| 170 | | | | | | | | | | | | | |
| 180 | | | | | | | | | | | | | |
| 190 | | | | | | | | | | | | | |
| 200 | | | | | | | | | | | | | |
| 210 | | | | | | | | | | | | | |
| 220 | | | | | | | | | | | | | |
| 230 | | | | | | | | | | | | | |
| 240 | | | | | | | | | | | | | |
| 250 | | | | | | | | | | | | | |

flange-relief valve
series RV16



Size I
head C

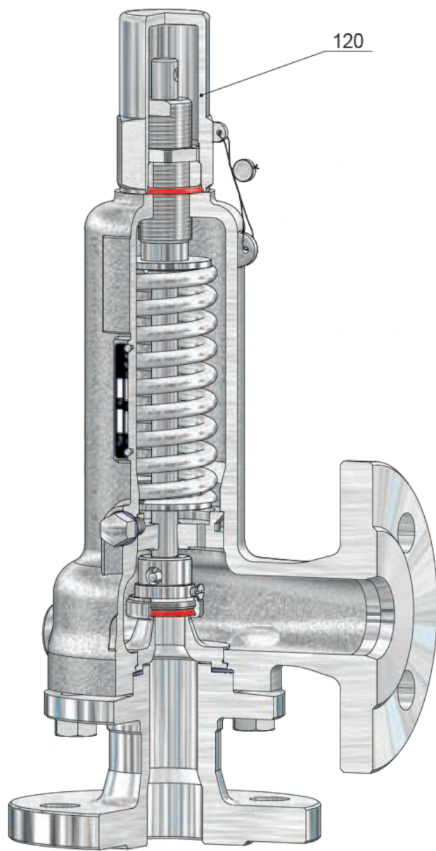


Size I
head A

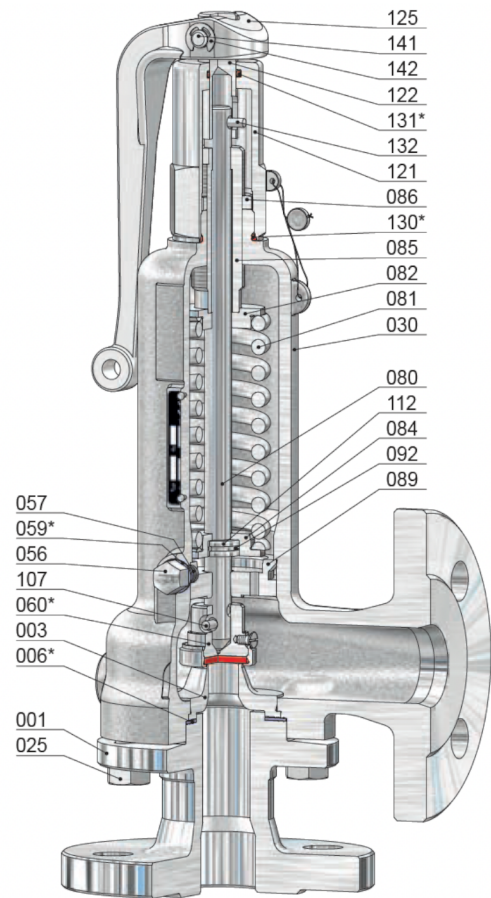
| Item | Piece | Description | Item | Piece | Description |
|-------|-------|--------------------|-------|-------|----------------|
| 001 | 1 | inlet body | 086 | 1 | lock nut |
| 003 | 1 | seat | 092 | 2 | lock ring |
| 006 * | 1 | packing ring | 120 | 1 | cap |
| 025 | 4 | screw | 121 | 1 | lifting cap |
| 030 | 1 | spring bonnet | 122 | 1 | coupling |
| 060 * | 1 | disc, complete | 125 | 1 | lifting button |
| 560 | 1 | disc | 130 * | 1 | o-ring |
| 062 | 1 | soft sealing | 131 * | 1 | o-ring |
| 080 | 1 | spindle | 132 | 1 | groove pin |
| 081 | 1 | spring | 133 | 1 | groove pin |
| 082 | 1 | springplate, upper | | | |
| 084 | 1 | springplate, lower | | | |
| 085 | 1 | adjusting screw | | | |

* expendable parts

flange-relief valve
series RV16



Size II
head C

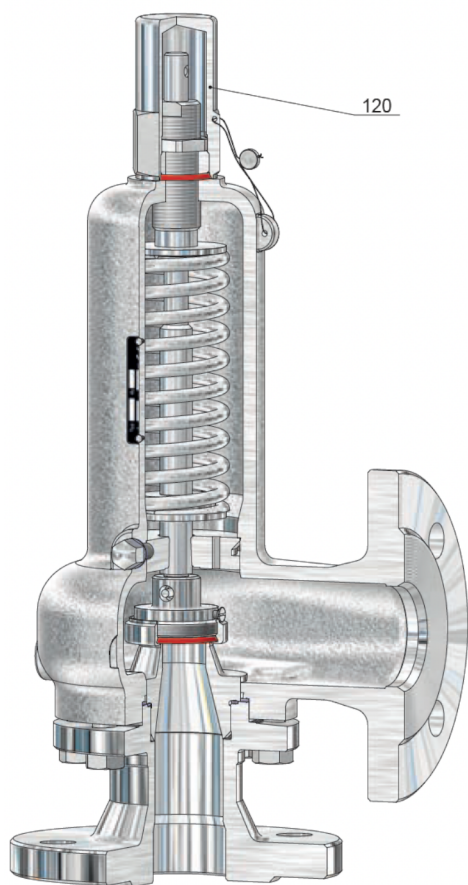


Size II
head A

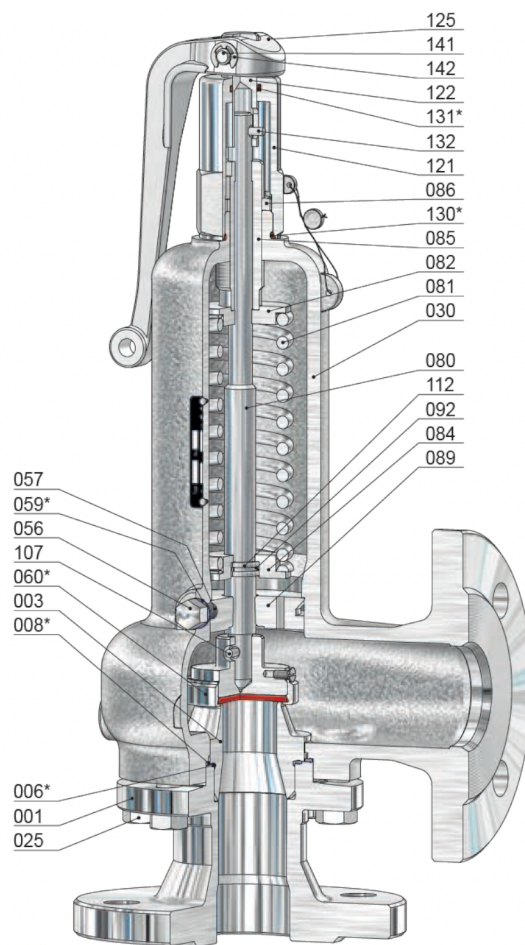
| Item | Piece | Description | Item | Piece | Description |
|-------|-------|--------------------|-------|-------|-----------------|
| 001 | 1 | inlet body | 085 | 1 | adjusting screw |
| 003 | 1 | seat | 086 | 1 | lock nut |
| 006 * | 1 | packing ring | 089 | 1 | guide plate |
| 025 | 4 | screw | 092 | 1 | lock ring |
| 030 | 1 | spring bonnet | 107 | 1 | spring pin |
| 056 | 2 | lock nut | 112 | 1 | split ring |
| 057 | 2 | screwed pin | 120 | 1 | cap |
| 059 * | 2 | packing ring | 121 | 1 | lifting cap |
| 060 * | 1 | disc, complete | 122 | 1 | coupling |
| 062 | 1 | disc | 125 | 1 | lifting button |
| 063 | 1 | soft sealing | 130 * | 1 | o-ring |
| 067 | 1 | disc ring | 131 * | 1 | o-ring |
| 080 | 1 | security screw | 132 | 1 | groove pin |
| 081 | 1 | spindle | 141 | 1 | bolt |
| 082 | 1 | spring | 142 | 2 | stop washer |
| 084 | 1 | springplate, upper | | | |
| 084 | 1 | springplate, lower | | | |

* expendable parts

flange-relief valve
series RV16



Size III
head C

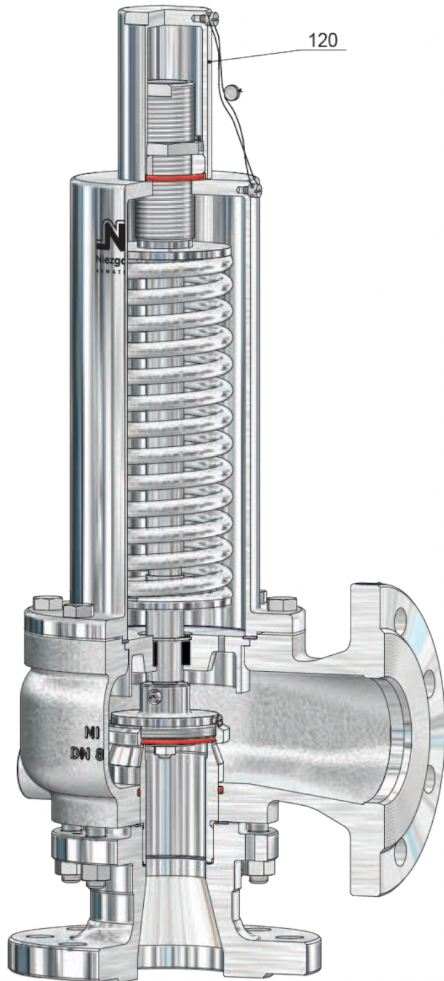


Size III
head A

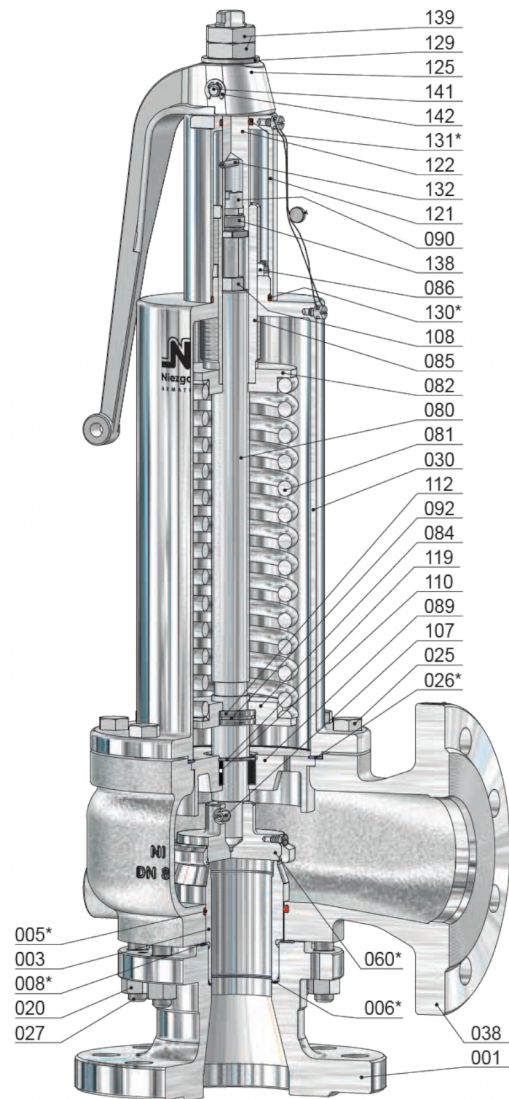
| Item | Piece | Description | Item | Piece | Description |
|-------|-------|--------------------|-------|-------|--------------------|
| 001 | 1 | inlet body | 084 | 1 | springplate, lower |
| 003 | 1 | seat | 085 | 1 | adjusting screw |
| 006 * | 1 | packing ring | 086 | 1 | lock nut |
| 008 * | 1 | packing ring | 089 | 1 | guide plate |
| 025 | 8 | screw | 092 | 1 | lock ring |
| 030 | 1 | spring bonnet | 107 | 1 | spring pin |
| 056 | 2 | lock nut | 112 | 1 | split ring |
| 057 | 2 | screwed pin | 120 | 1 | cap |
| 059 * | 2 | packing ring | 121 | 1 | lifting cap |
| 060 * | 1 | disc, complete | 122 | 1 | coupling |
| 560 | 1 | disc | 125 | 1 | lifting button |
| 062 | 1 | soft sealing | 130 * | 1 | o-ring |
| 063 | 1 | disc ring | 131 * | 1 | o-ring |
| 067 | 1 | security screw | 132 | 1 | groove pin |
| 080 | 1 | spindle | 141 | 1 | bolt |
| 081 | 1 | spring | 142 | 2 | stop washer |
| 082 | 1 | springplate, upper | | | |

* expendable parts

flange-relief valve series RV16



Size IV
head C



Size IV
head A

| Item | Piece | Description | Item | Piece | Description | Item | Piece | Description |
|-------|-------|----------------|------|-------|--------------------|-------|-------|----------------|
| 001 | 1 | inlet body | 073 | 1 | o-ring | 121 | 1 | lifting cap |
| 003 | 1 | seat | 074 | 1 | disc plate | 122 | 1 | coupling |
| 005 * | 1 | o-ring | 080 | 1 | spindle | 125 | 1 | lifting button |
| 006 * | 1 | packing ring | 081 | 1 | spring | 129 | 1 | pressure plate |
| 008 * | 1 | packing ring | 082 | 1 | springplate, upper | 130 * | 1 | o-ring |
| 020 | 8 | nut | 084 | 1 | springplate, lower | 131 * | 1 | o-ring |
| 025 | 8 | screw | 085 | 1 | adjusting screw | 132 | 1 | groove pin |
| 026 * | 1 | packing ring | 086 | 1 | lock nut | 138 | 1 | screw |
| 027 | 8 | stud bolt | 089 | 1 | guide plate | 139 | 2 | nut |
| 030 | 1 | spring bonnet | 090 | 1 | screw | 141 | 1 | bolt |
| 038 | 1 | outlet body | 092 | 1 | lock ring | 142 | 2 | stop washer |
| 060 * | 1 | disc, complete | 107 | 1 | spring pin | | | |
| 560 | 1 | disc | 108 | 1 | nut | | | |
| 062 | 1 | soft sealing | 110 | 1 | bush | | | |
| 063 | 1 | disc ring | 112 | 1 | split ring | | | |
| 065 | 1 | disc bolt | 119 | 1 | locking ring | | | |
| 067 | 1 | security screw | 120 | 1 | cap | | | |

* expendable parts

Abbildungen unverbindlich, Konstruktions-, Maß- und Werkstoffänderungen vorbehalten
illustrations are non-binding, all designs, configurations, measurements and materials are subject to change without prior notice