

## swing check valve series CH010, CH011, CH012, CH013








design	wafer swing check valve with elastic sealing, o-rings are included as standard as flange-seal
connection	DN32...DN300 installation between flanges according to EN1092 respectively ANSI B16.5 see table "dimensions"
materials	CH010, CH012: body made of zinc plated steel, DN32...DN150 disc stainless steel AISI 316L - DN200...DN300 disc zinc plated steel, standard seals NBR CH011, CH013: disc and body made of stainless steel AISI 316L, standard seals FKM
application	group 1 and 2 liquids and gases acc. to PED 2014/68/EU and which do not affect the used materials.
medium temperature	zinc plated steel: -10 ...+250°C stainless steel AISI 316L: -50 ...+510°C depending of used sealing
operating pressure range	see pressure-temperature-diagram and depending on the used flange
flow direction	CH012, CH013 any, CH010, CH011 from the bottom up or horizontal
mounting position	horizontal or vertical
approval	ATEX-declaration areas 1/2/21/22
special versions	body steel A350-LF2: medium temperature -46...+250°C depending of used sealing, installation between flanges PN6/PN64/PN100/ANSI150/ANSI300/ANSI600, free of oil, grease and silicon for oxygen, cleaned for drinking water

### type code

		CH 010 - 65 - V - 01
type	reset by its own weight	010
	reset by its own weight	011
	reset by spring	012
	reset by spring	013
nominal diameter		32...300
seal	standard seal blank position	
	NBR	N
	EPDM	E
	metallic	M
	FKM	V
	PTFE	T
special version	inspection certificate 3.1 for material, pressure and tightness	3C
	ANSI 150 instead of standard PN	ANSI150
	ANSI 300 instead of standard PN	ANSI300
	PN25 instead of standard PN	PN25
	PN40 instead of standard PN	PN40
	PN64 instead of standard PN	PN64
	described in the article description	01,02,03....

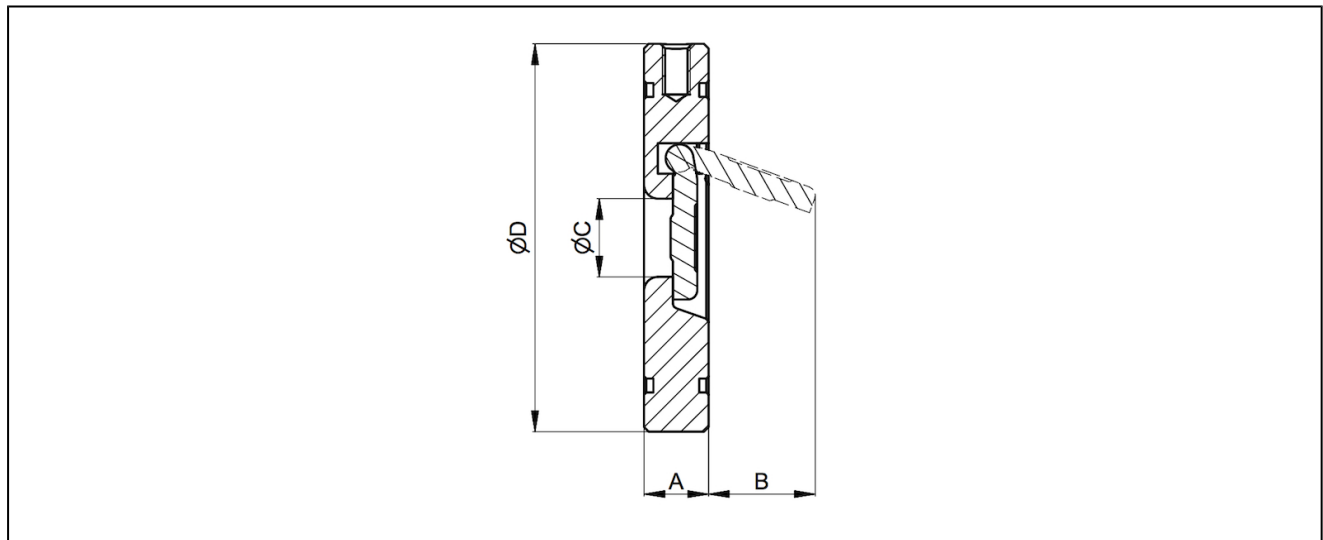
**opening pressure in [mbar]:**

nominal diameter DN[mm]	flow direction CH010, CH011		flow direction CH012, CH013		
					
DN40 - DN150	13	16	23	26	10
DN200 - DN300	19	22	32	35	10

**application of the individual seal materials:**

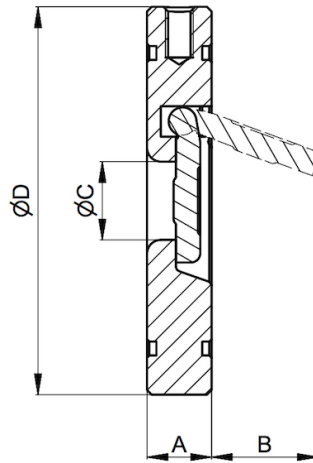
seal	temperature range [°C]	application
NBR	-20...+120	neutral gases and liquids
EPDM	-40...+130	hot water, steam, oxygen
FKM	-50...+260	petrol, diesel, air, oils, water, neutral gases and liquids
PTFE	-50...+260	aggressive media, steam

**dimensions**



nominal diameter DN[mm]	nominal flange pressure EN1092	nominal flange pressure ANSI B16.5	A	B	ØC	ØD	kvs-value [m <sup>3</sup> /h]	weight [approx. kg]	type
32	PN10/16/25/40	ANSI300	14	20	17	84	7,5	0,5	CH0...32
40	PN10/16/25/40	ANSI300	14	30	22	95	17,2	0,7	CH0...40
50	PN10/16/25/40	ANSI300	14	35	32	109	25,4	0,9	CH0...50
65	PN10/16/25/40	ANSI300	14	48	40	129	42,2	1,2	CH0...65
80	PN10/16/25/40	ANSI300	14	60	54	144	67,0	1,5	CH0...80
100	PN10/16	-	18	78	70	164	246,5	2,4	CH0...100
125	PN10/16	ANSI150	18	98	92	195	547,4	3,4	CH0...125
150	PN10/16	ANSI150	20	117	112	220	724,0	4,6	CH0...150
200	PN10/16	-	22	160	154	275	1039,0	8,0	CH0...200
250	PN10/16	-	26	200	200	330	1896,0	13,3	CH0...250
300	PN10	-	32	235	240	380	2207,0	20,9	CH0...300

## dimensions special flanges



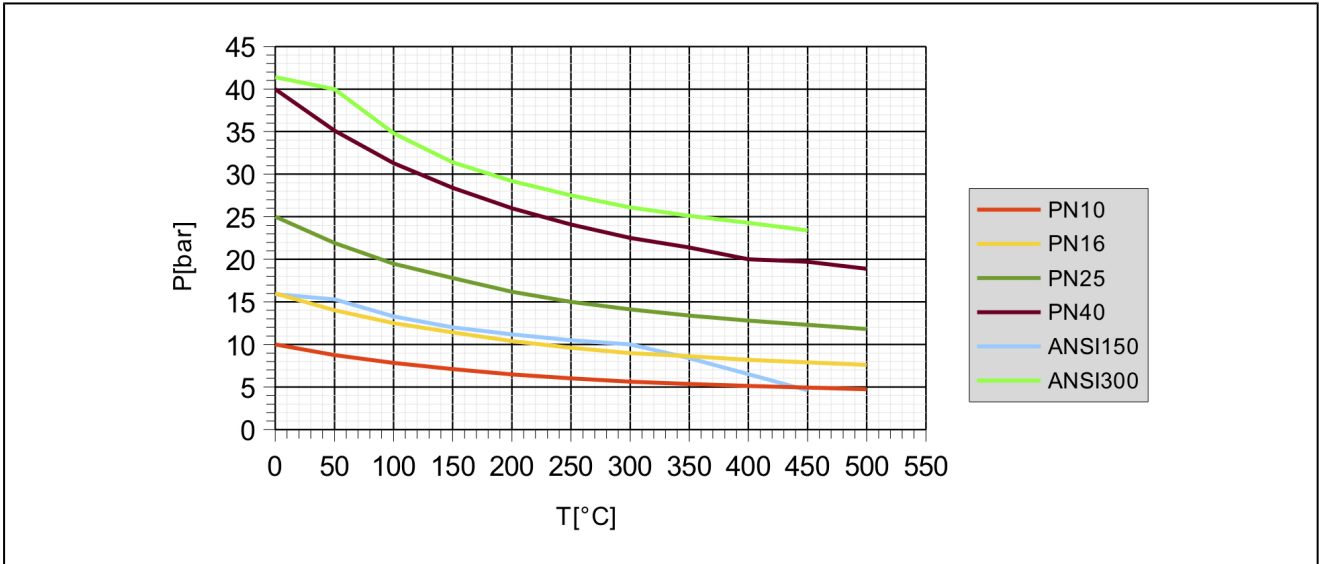
nominal diameter DN[mm]	A	B	$\varnothing C$	$\varnothing D$	kvs-value [m <sup>3</sup> /h]	weight [approx. kg]	type
100	18	78	70	170	246,5	-	CH0..-100-PN25
125	18	98	92	198	547,4	-	CH0..-125-PN25
150	20	117	112	228	724,0	-	CH0..-150-PN25
200	22	160	154	285	1039,0	-	CH0..-200-PN25
250	26	200	200	340	1896,0	-	CH0..-250-PN25
300	32	235	240	403	2207,0	-	CH0..-300-PN25

nominal diameter DN[mm]	A	B	$\varnothing C$	$\varnothing D$	kvs-value [m <sup>3</sup> /h]	weight [approx. kg]	type
100	22	78	70	170	246,5	-	CH0..-100-PN40
125	23	98	92	198	547,4	-	CH0..-125-PN40
150	24	117	112	228	724,0	-	CH0..-150-PN40
200	30	160	154	293	1039,0	-	CH0..-200-PN40
250	39	200	200	355	1896,0	-	CH0..-250-PN40
300	53	235	240	420	2207,0	-	CH0..-300-PN40

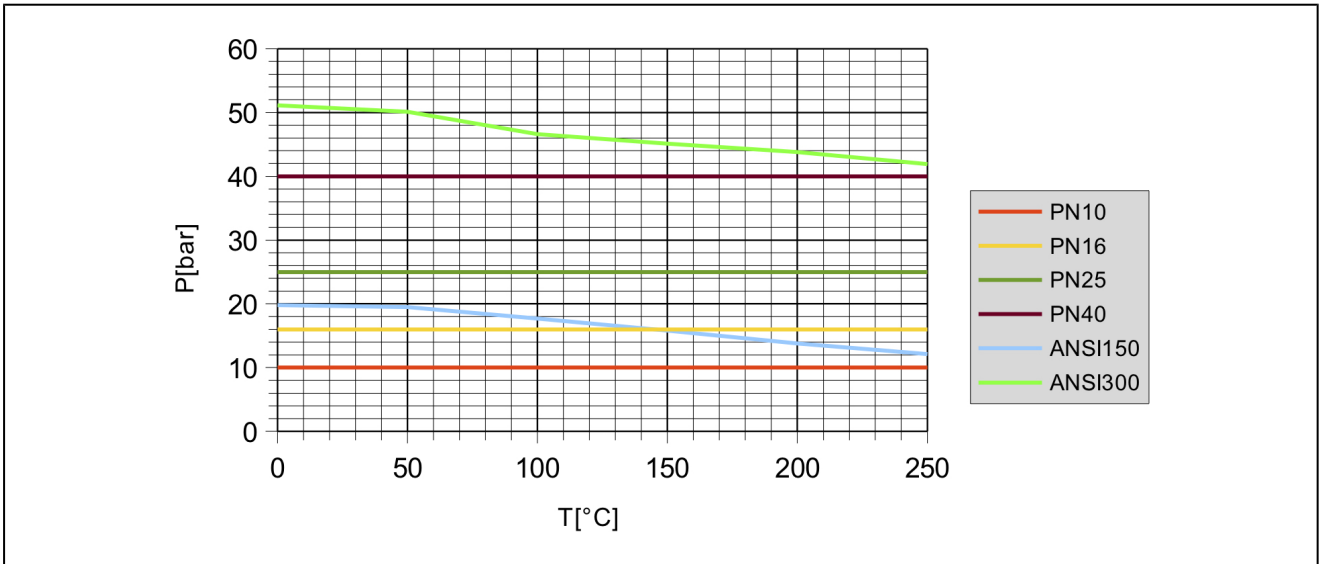
nominal diameter DN[mm]	A	B	$\varnothing C$	$\varnothing D$	kvs-value [m <sup>3</sup> /h]	weight [approx. kg]	type
32	14	20	17	76	7,5	-	CH0..-32-ANSI150
40	14	30	22	86	17,2	-	CH0..-40-ANSI150
50	14	35	32	105	25,4	-	CH0..-50-ANSI150
65	14	48	40	124	42,2	-	CH0..-65-ANSI150
80	14	60	54	137	67,0	-	CH0..-80-ANSI150
100	18	78	70	175	246,5	-	CH0..-100-ANSI150
200	22	160	154	195	1039,0	-	CH0..-200-ANSI150
250	26	200	200	220	1896,0	-	CH0..-250-ANSI150
300	32	235	240	279	2207,0	-	CH0..-300-ANSI150

nominal diameter DN[mm]	A	B	$\varnothing C$	$\varnothing D$	kvs-value [m <sup>3</sup> /h]	weight [approx. kg]	type
100	22	78	70	148	246,5	-	CH0..-100-ANSI300
125	23	98	92	213	547,4	-	CH0..-125-ANSI300
150	24	117	112	248	724,0	-	CH0..-150-ANSI300
200	30	160	154	306	1039,0	-	CH0..-200-ANSI300
250	39	200	200	360	1896,0	-	CH0..-250-ANSI300
300	53	235	240	420	2207,0	-	CH0..-300-ANSI300

**pressure-temperature-diagram stainless steel**



**pressure-temperature-diagram steel**



illustrations are non-binding  
all designs, configurations, measurements and materials are subject to change without prior notice