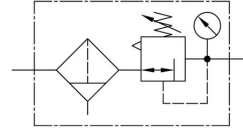


Filter regulator G1/4"…G1" Series FR18



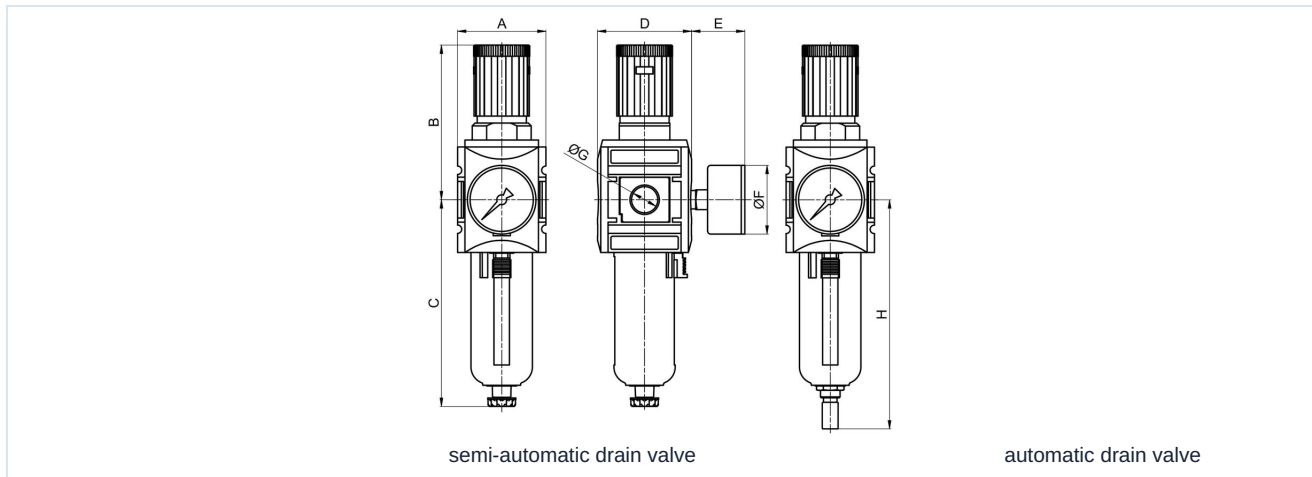
Design type	Diaphragm pressure regulator with secondary venting, Centrifugal force principle filter, Sintered filter element, Protective cage, semi-automatic drain valve, Handwheel lockable
Connection	G1/4"…G1" according to ISO228/1
Materials	Housing and Pressure gauge connection Glass-fiber reinforced polyamide, Pressure ports Aluminium, Internal parts made of brass, Condensate reservoir Polycarbonate , Protective cage Polyamide, Seals NBR, Spring cap POM
Function	Secondary pressure regulation plus compressed air filtration
Locking mechanism	Pressure setting can be locked by pressing in the rotary knob
Filter element	5µm
Mounting type	Installation in piping system, Locknut or Wall mounting using mounting bracket
Mounting position	vertical, Drain screw bottom
Medium	Compressed air
Medium temperature	0…+50°C
Ambient temperature	0…+50°C
Inlet pressure	1,5…16bar
Control ranges	0,1…1bar, 0,1…2bar, 0,2…4bar, 0,5…8bar, 0,5…10bar and 0,5…16bar
Flow direction	is marked by an arrow
Scope of delivery	including pressure gauge, without padlock VS36



Order code

		FR18 - 14 H - 0,1/1 - A			
	1/4"	14			
	3/8"	38			
	1/2"	12			
	3/4"	34			
Connection	1"	10			
Flow rate	Standard (Leave blank)				
	high flow rate		H		
Pressure range	0,1...1bar		0,1/1		
	0,1...2bar		0,1/2		
	0,2...4bar		0,2/4		
	0,5...8bar		0,5/8		
	0,5...10bar		0,5/10		
	0,5...16bar		0,5/16		
Drain valve	semi-automatic drain valve (Leave blank)				
	automatic drain valve				A

Dimensional drawing



Connection G	Flow rate at 6 bar* [Nl/min]	A	B	C	D	E	F	H	Weight [approx. kg]
G1/4	2200	52	96	130	54	~38	50	145	0,4
G3/8	2600	52	96	130	54	~38	50	145	0,4
G3/8	4300	63	110	147	67	~38	50	163	0,7
G1/2"	5200	63	110	147	67	~38	50	163	0,6
G3/4"	14000	85	137	189	93	~38	63	206	1,3
G1"	14000	85	137	189	93	~38	63	206	1,2



Connection	Flow rate at 6 bar* [Nl/min]	max. inlet pressure [bar]	Pressure range [bar]	Type
G1/4"	2200	16	0,1...1	FR18-14H-0,1/1
G1/4"	2200	16	0,1...2	FR18-14H-0,2/1
G1/4"	2200	16	0,2...4	FR18-14H-0,2/4
G1/4"	2200	16	0,5...8	FR18-14H-0,5/8
G1/4"	2200	16	0,5...10	FR18-14H-0,5/10
G1/4"	2200	16	0,5...16	FR18-14H-0,5/16
G3/8"	2600	16	0,1...1	FR18-38-0,1/1
G3/8"	2600	16	0,1...2	FR18-38-0,2/1
G3/8"	2600	16	0,2...4	FR18-38-0,2/4
G3/8"	2600	16	0,5...8	FR18-38-0,5/8
G3/8"	2600	16	0,5...10	FR18-38-0,5/10
G3/8"	2600	16	0,5...16	FR18-38-0,5/16
G3/8"	4300	16	0,1...1	FR18-38H-0,1/1
G3/8"	4300	16	0,1...2	FR18-38H-0,2/1
G3/8"	4300	16	0,2...4	FR18-38H-0,2/4
G3/8"	4300	16	0,5...8	FR18-38H-0,5/8
G3/8"	4300	16	0,5...10	FR18-38H-0,5/10
G3/8"	4300	16	0,5...16	FR18-38H-0,5/16
G1/2"	5200	16	0,1...1	FR18-12-0,1/1
G1/2"	5200	16	0,1...2	FR18-12-0,2/1
G1/2"	5200	16	0,2...4	FR18-12-0,2/4
G1/2"	5200	16	0,5...8	FR18-12-0,5/8
G1/2"	5200	16	0,5...10	FR18-12-0,5/10
G1/2"	5200	16	0,5...16	FR18-12-0,5/16

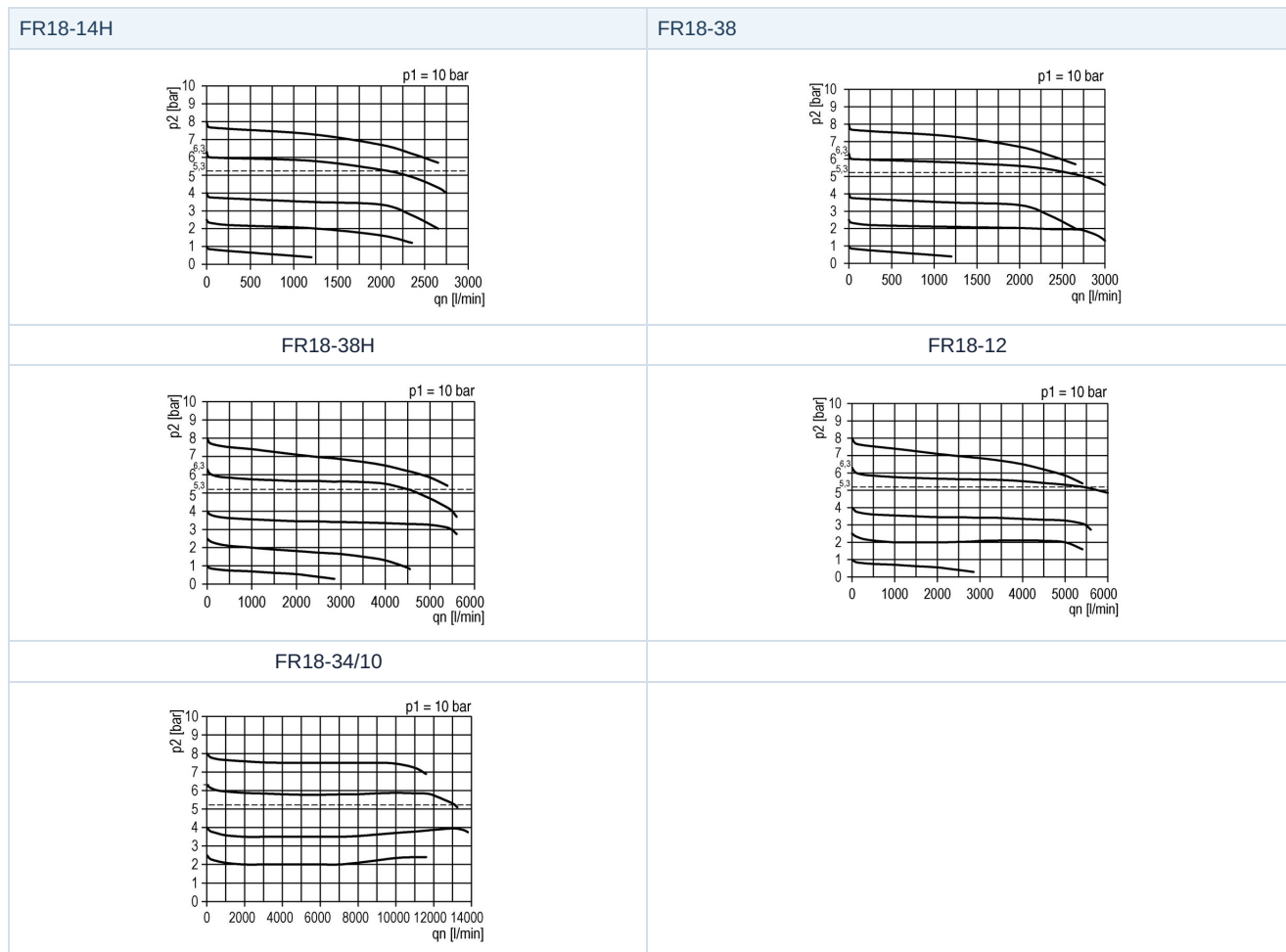
*Flow rates at an inlet pressure of 10 bar, an outlet pressure of 6 bar and a pressure drop of 1 bar

Connection	Flow rate at 6 bar* [Nl/min]	max. inlet pressure [bar]	Pressure range [bar]	Type
G3/4"	14000	16	0,1...1	FR18-34-0,1/1
G3/4"	14000	16	0,1...2	FR18-34-0,2/1
G3/4"	14000	16	0,2...4	FR18-34-0,2/4
G3/4"	14000	16	0,5...8	FR18-34-0,5/8
G3/4"	14000	16	0,5...10	FR18-34-0,5/10
G3/4"	14000	16	0,5...16	FR18-34-0,5/16
G1"	14000	16	0,1...1	FR18-10-0,1/1
G1"	14000	16	0,1...2	FR18-10-0,2/1
G1"	14000	16	0,2...4	FR18-10-0,2/4
G1"	14000	16	0,5...8	FR18-10-0,5/8
G1"	14000	16	0,5...10	FR18-10-0,5/10
G1"	14000	16	0,5...16	FR18-10-0,5/16

*Flow rates at an inlet pressure of 10 bar, an outlet pressure of 6 bar and a pressure drop of 1 bar



Flow diagrams



Accessories

Designation	Type
Mounting nut M36x1,5 for G1/4" and G3/8" (Type FR18-38)	MPN18-14H/38
Mounting nut M42x1,5 for G3/8" (Type FR18-38H) and G1/2"	MPN18-38H/12
Mounting nut M50x1,5 for G3/4" and G1"	MPN18-34/10
Mounting bracket M36x1,5 for G1/4" and G3/8" (Type FR18-38)	MMP18-14H/38
Mounting bracket M42x1,5 for G3/8" (Type FR18-38H) and G1/2"	MMP18-38H/12
Mounting bracket kit for G1/4" and G3/8" (Type FR18-38)	MMB18-14H/38
Mounting bracket kit for G3/8" (Type FR18-38H) and G1/2"	MMB18-38H/12
Mounting bracket kit for G3/4" and G1"	MMB18-34/10

Illustrations non-binding

Design, dimensional and material changes reserved

Pneumatics / Regulators, filters and lubricators / Maintenance devices - series 18 / Filter regulator Series FR18

Version 5

139231 / Generated 2026/23 EN

MADE IN EUROPE

+43 512 52076

austria@stasto.eu

© STASTO Automation KG

www.stasto.com

Open series online

Page 4 / 4

