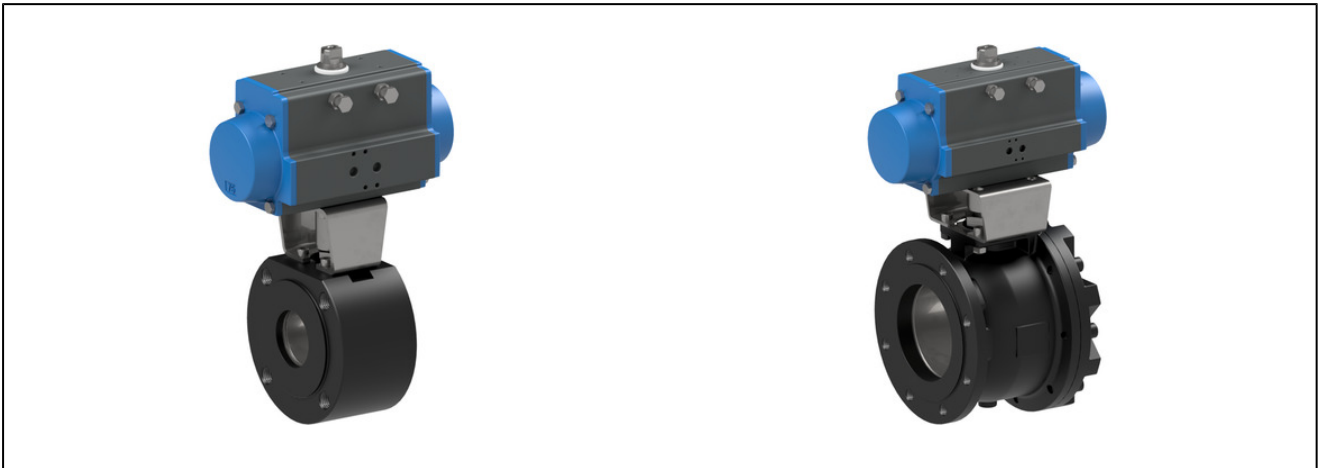
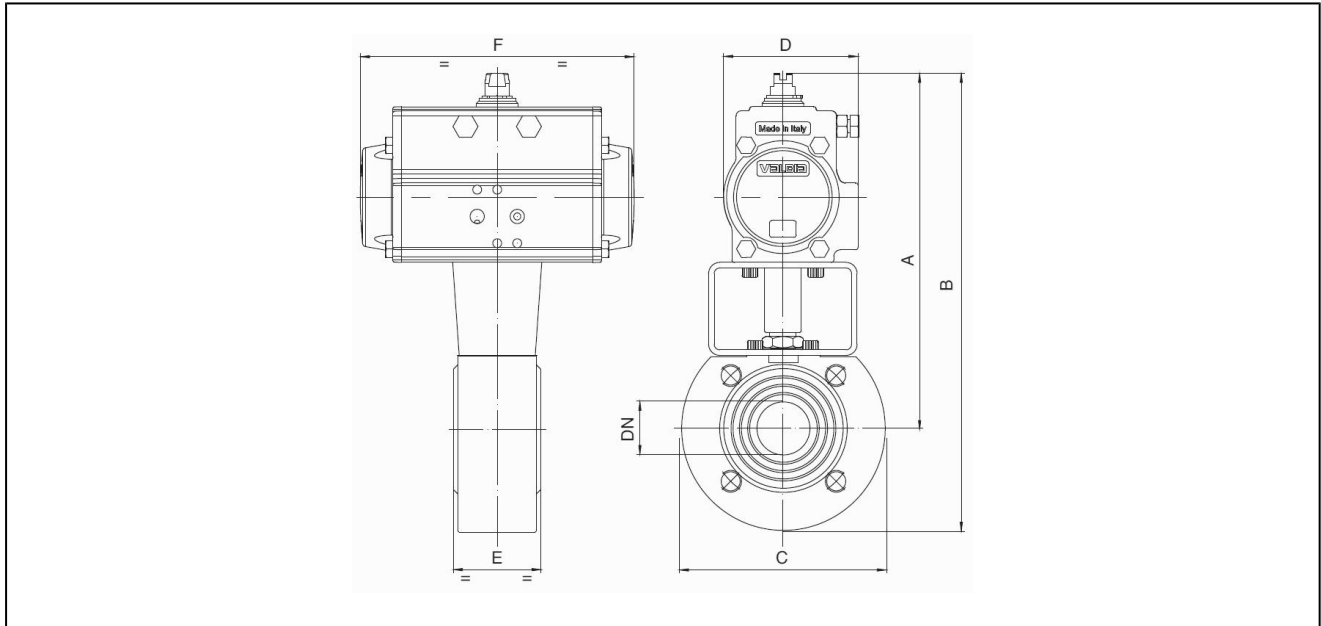


## flange ball valve made of steel with pneumatic actuator series BA043



design	ball valve: two way ball valve with floating ball, full bore, compensation hole actuator: piston actuator with 2 counteracting pistons, elastic sealing, actuator complying with ISO 5211 or rather to NAMUR-references, end position $\pm 5^\circ$ adjustable on both sides
function	available in double acting or single acting design
connection	flange DN15...DN150 according to EN1092, PN16
materials	actuator: hard-anodised aluminum, pinion nickel-plated steel, piston guide POM, seals NBR
standard construction	ball valve: body steel, ball stainless steel AISI 304, ball seal PTFE, stem seal PTFE/FKM
application	group 1 and 2 liquids and gases acc. to PED 2014/68/EU and which do not affect the used materials.
medium temperature	$-20...+160^\circ\text{C}$
ambient temperature	$-20...+85^\circ\text{C}$
operating pressure	vacuum max. $10^{-3}$ Torr to nominal pressure according to table and pressure-temperature diagram
control medium	filtered and lubricated or non lubricated compressed air
control pressure	5,5...8bar, adaptation for lower control pressures on request
type of fixing	installed into rigid pipework
mounting position	any
special version	pinion made of stainless steel, ball valve antistatic design ATEX EX II 2G Ex h IIC T6...T1 Gb / II 2D Ex h IIIC T85°C...T450°C Db, actuator ATEX II 2G/D c T6 fire-safe, ambient temperatures of $-40...+85^\circ\text{C}$ respectively $-20...+150^\circ\text{C}$ on request
accessories	mounted manual, pneumatic or electric control valve electric end position signal, I/P or P/P positioner control of moving speed
order information	in case of order please specify control pressure, operating medium and operating pressure
direction for use	pressure and temperature values are maximum values for lubricating or not degreasing mediums. in particular degreasing media reduce the indicated values and increase the necessary torque. In border lines we recommend a previous consultation. when selecting the armature, the lowest control pressure in the equipment is taken as the basis

## dimensions



### ball valves with double acting pneumatic actuator

nominal diameter DN[mm]	max. operating pressure [bar] to 85°C	A	B	C	D	E	F	type of actuator	kv value [m <sup>3</sup> /h]	weight [app. kg]	type
15	16	183	228,5	90	71	35	141	PAD052	19,2	3,1	BA043-15-D0
20	16	188	238	100	71	40	141	PAD052	35	3,3	BA043-20-D0
25	16	193	248	110	71	46	141	PAD052	64,5	4,1	BA043-25-D0
32	16	200	266	130	71	54	141	PAD052	103,8	5,6	BA043-32-D0
40	16	227	297	140	81	64	164	PAD063	174	6,3	BA043-40-D0
50	16	253	328	150	95	82	210	PAD075	301,3	9,2	BA043-50-D0
65	16	282	370	175	106	103	241	PAD085	545,7	14,6	BA043-65-D0
80	16	292	387	190	106	122	241	PAD085	872,5	19,6	BA043-80-D0
100	16	341	451	220	123	152	275	PAD100	1363,3	27,0	BA043-100-D0
125	16	398	523	250	137	196	333	PAD115	2360,3	49,0	BA043-125-D0
150	16	438	585	300	148	232	372	PAD125	3671,1	73,0	BA043-150-D0

for ATEX versions, add -A at the end of the type.

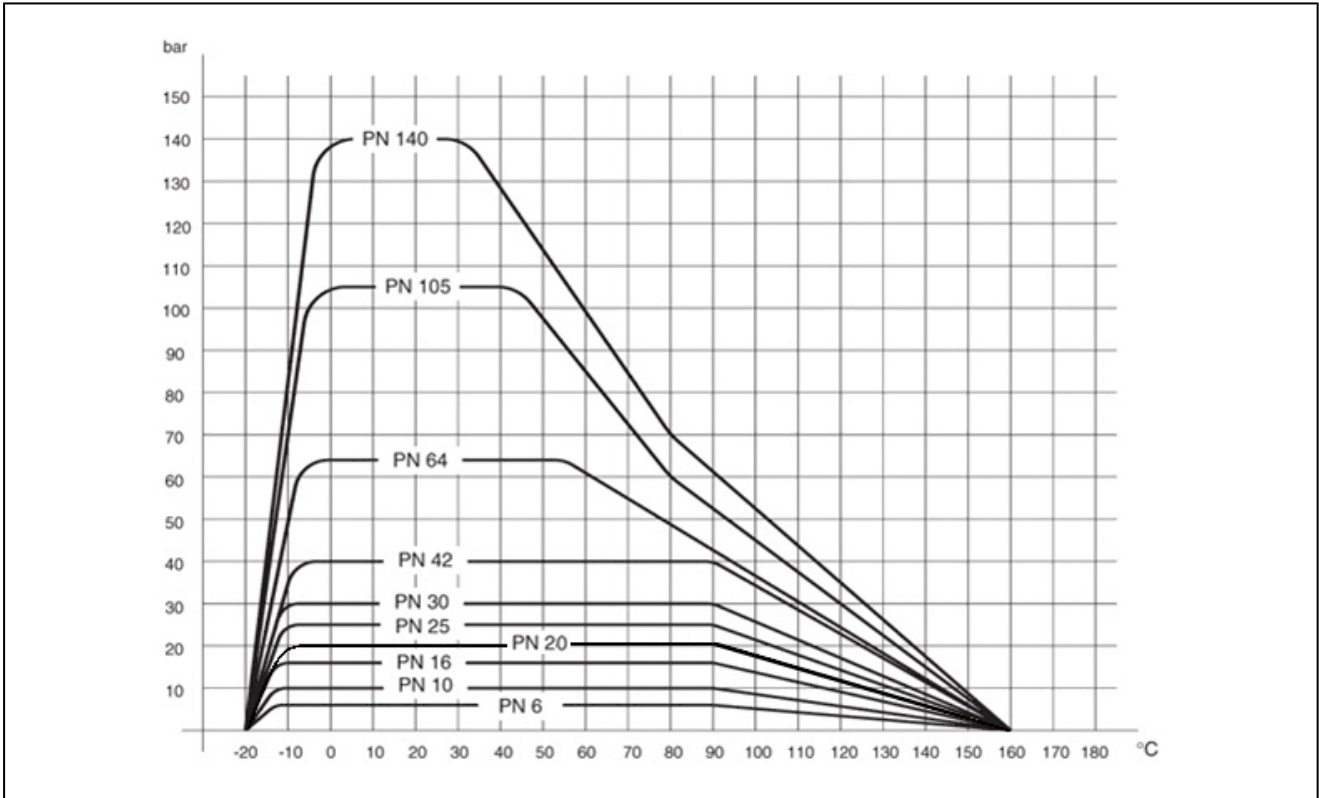
### ball valves with single acting pneumatic actuator

nominal diameter DN[mm]	max. operating pressure [bar] to 85°C	A	B	C	D	E	F	type of actuator	kv value [m <sup>3</sup> /h]	weight [app. kg]	type
15	16	194	299	90	81	35	164	PAS0635	19,2	3,5	BA043-15-S0
20	16	200	250	100	81	40	164	PAS0635	35	4,1	BA043-20-S0
25	16	205	260	110	81	46	164	PAS0635	64,5	4,9	BA043-25-S0
32	16	250	319	130	106	54	241	PAS0855	103,8	9,6	BA043-32-S0
40	16	259	329	140	106	64	241	PAS0855	174	9,7	BA043-40-S0
50	16	281	356	150	123	82	275	PAS1005	301,3	13,6	BA043-50-S0
65	16	349	437	175	137	103	333	PAS1155	545,7	24,8	BA043-65-S0
80	16	372	466	190	148	122	372	PAS1255	872,5	28,3	BA043-80-S0
100	16	387	497	220	148	152	372	PAS1255	1363,3	35,8	BA043-100-S0
125	16	434	557	250	187	196	500	PAS1605	2360,3	70,5	BA043-125-S0
150	16	538	658	300	217	232	579	PAS2005	3671,1	137,8	BA043-150-S0

single acting actuators are delivered normally closed (NC), if not specified in your order.

for ATEX versions, add -A at the end of the type.

# pressure-temperature-diagram



illustrations are non-binding  
all designs, configurations, measurements and materials are subject to change without prior notice